



US00D800850S

(12) **United States Design Patent**  
**Janke**

(10) **Patent No.:** **US D800,850 S**

(45) **Date of Patent:** **\*\* Oct. 24, 2017**

(54) **FEMALE DOLL**

(71) Applicant: **Judy Janke**, Farmington, MN (US)

(72) Inventor: **Judy Janke**, Farmington, MN (US)

(\*\*) Term: **15 Years**

(21) Appl. No.: **29/559,129**

(22) Filed: **Mar. 24, 2016**

(51) **LOC (10) Cl.** ..... **11-01**

(52) **U.S. Cl.**

USPC ..... **D21/649**

(58) **Field of Classification Search**

USPC ..... D21/621, 623, 624, 625, 628, 630, 631,  
D21/633, 640, 643-649, 659; 446/268,  
446/360, 361, 376, 379, 382-384

CPC ..... A63H 3/00-3/31

See application file for complete search history.

D671,602 S *	11/2012	Bradford .....	D21/621
2011/0014842 A1	1/2011	Rappaport-Rowan	
2011/0117809 A1*	5/2011	Bowar .....	A63H 3/005 446/369
2011/0130069 A1*	6/2011	Rollin .....	A63H 3/28 446/297
2011/0159777 A1*	6/2011	Han .....	A63H 3/04 446/390
2015/0161897 A1*	6/2015	Santoro .....	G09B 1/38 434/236

**FOREIGN PATENT DOCUMENTS**

WO WO2015002511 8/2015

\* cited by examiner

*Primary Examiner* — Zenia Bennett

(57) **CLAIM**

The ornamental design for a female doll, as shown and described.

**DESCRIPTION**

FIG. 1 is a front view of a female doll showing my new design;

FIG. 2 is a rear view of the female doll;

FIG. 3 is a left side view of the female doll, a right side view being a mirror image thereof;

FIG. 4 is a top view of the female doll; and,

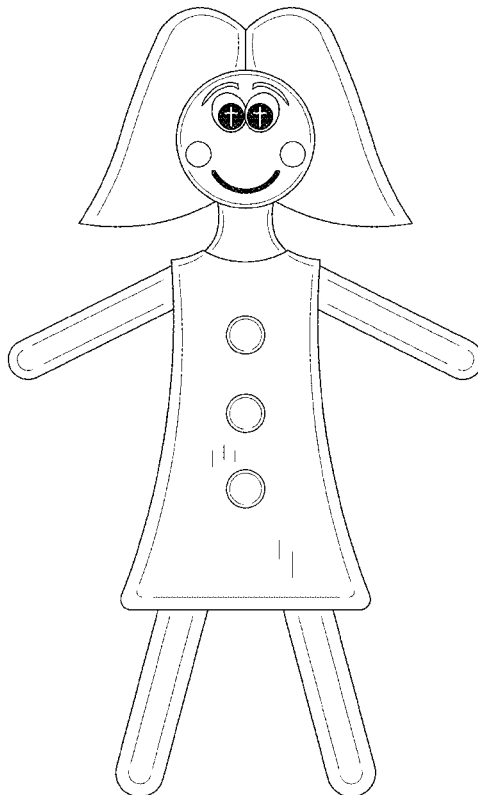
FIG. 5 is a bottom view of the female doll.

**1 Claim, 4 Drawing Sheets**

(56) **References Cited**

**U.S. PATENT DOCUMENTS**

3,053,008 A	9/1962	Pelunis	
D320,501 S	10/1991	Marks	
5,405,266 A	4/1995	Frank et al.	
5,470,270 A	11/1995	Beamon, Jr. et al.	
6,547,631 B1	4/2003	Randall	
D576,225 S *	9/2008	Auberger .....	D21/645
D576,226 S *	9/2008	Auberger .....	D21/645
D647,979 S *	11/2011	Fromuth .....	D21/621



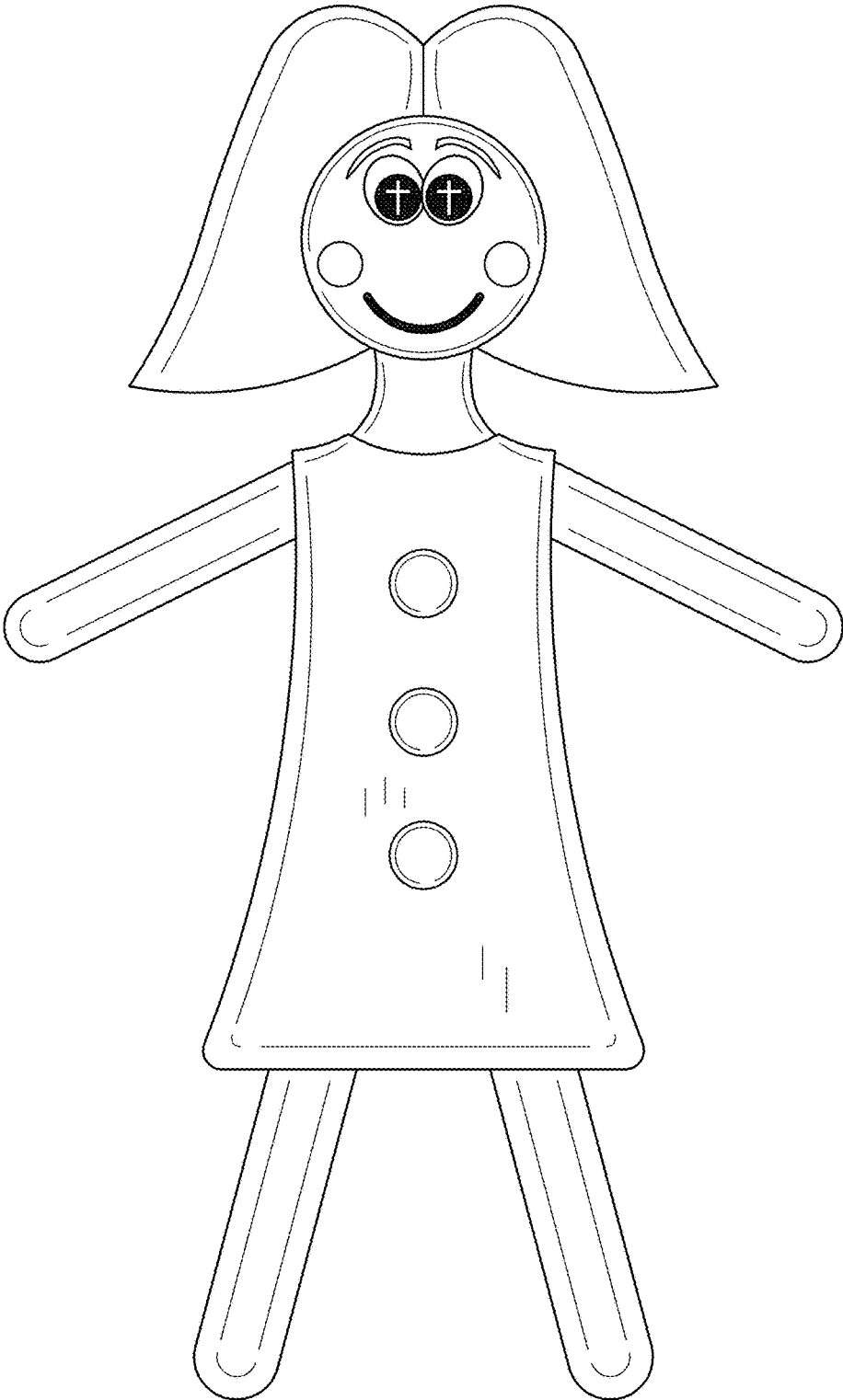


FIG. 1

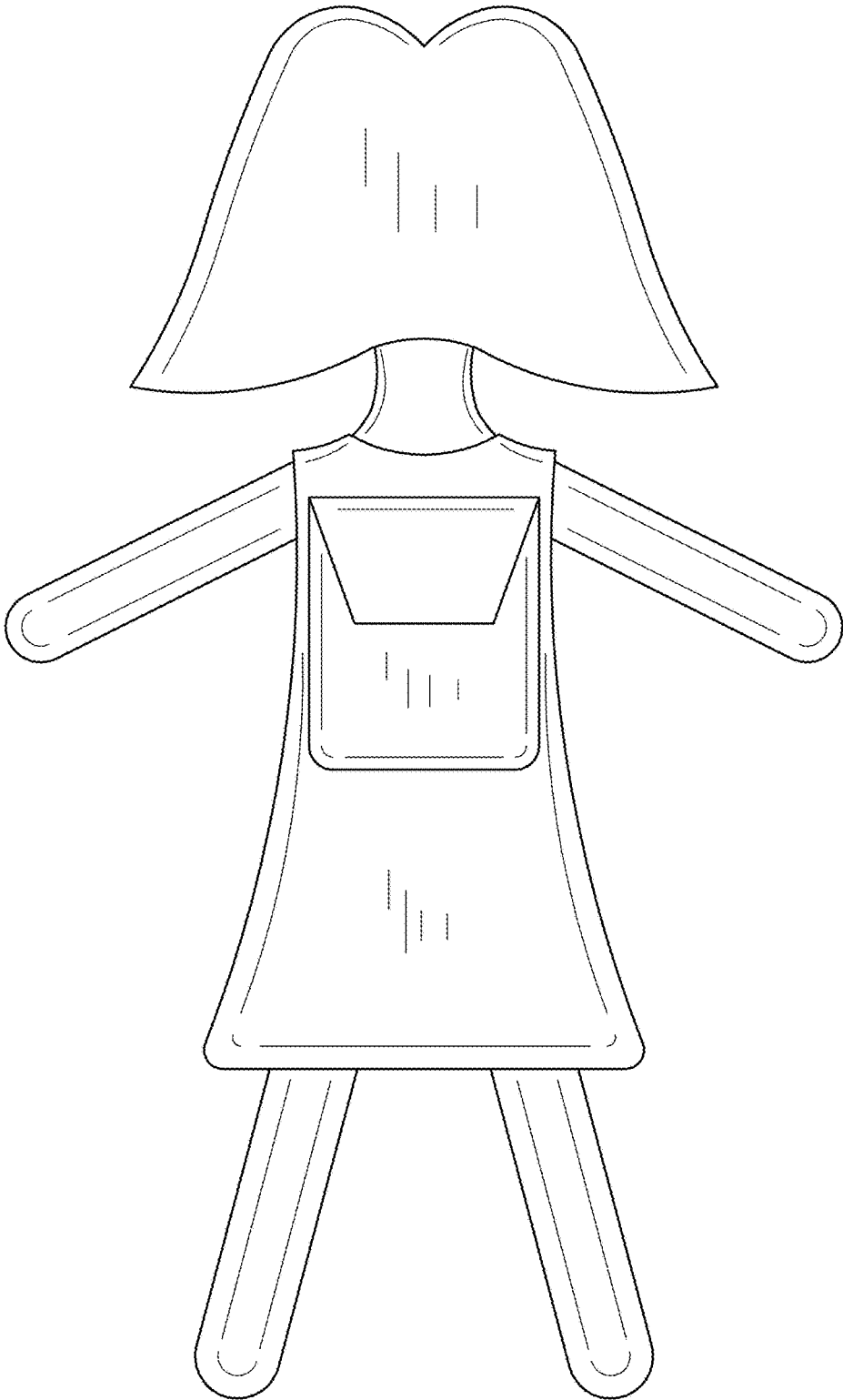


FIG. 2

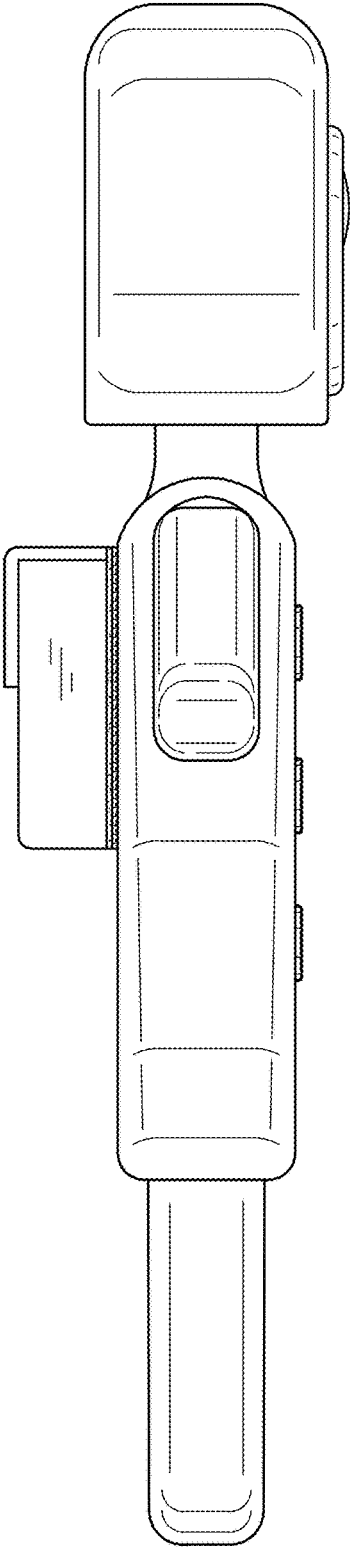


FIG. 3

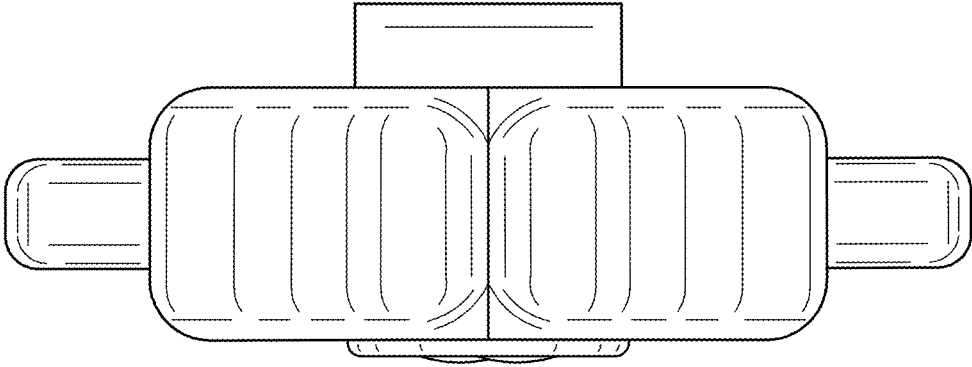


FIG. 4

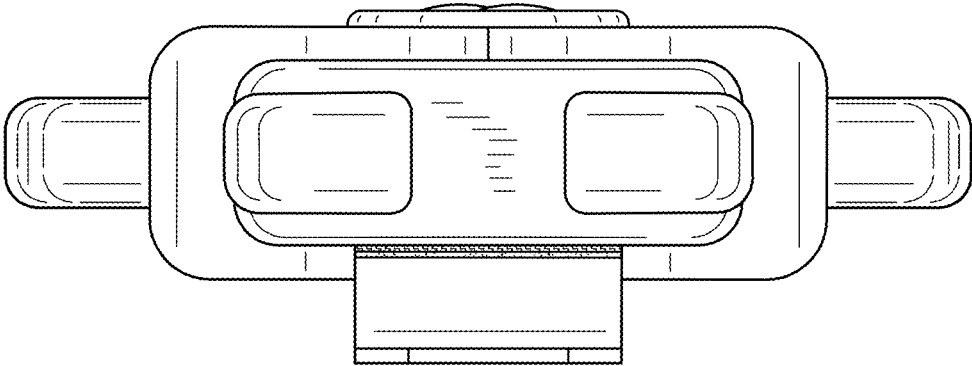


FIG. 5