

(19) World Intellectual Property Organization
International Bureau



(43) International Publication Date
14 February 2008 (14.02.2008)

PCT

(10) International Publication Number
WO 2008/017961 A3

- (51) International Patent Classification:
F02M 25/12 (2006.01) C01B 13/11 (2006.01)
F02M 27/04 (2006.01)
- (21) International Application Number:
PCT/IB2007/003327
- (22) International Filing Date: 18 April 2007 (18.04.2007)
- (25) Filing Language: English
- (26) Publication Language: English
- (30) Priority Data:
60/792,616 18 April 2006 (18.04.2006) US
- (71) Applicant and
(72) Inventor: PLATA, Carlos A. [CO/CO]; c/o Tew Cardenas, LLP, Four Seasons Tower, 15th Floor, 1441 Brickell Avenue, Miami, Florida 33131 (US).
- (81) Designated States (unless otherwise indicated, for every kind of national protection available): AE, AG, AL, AM,

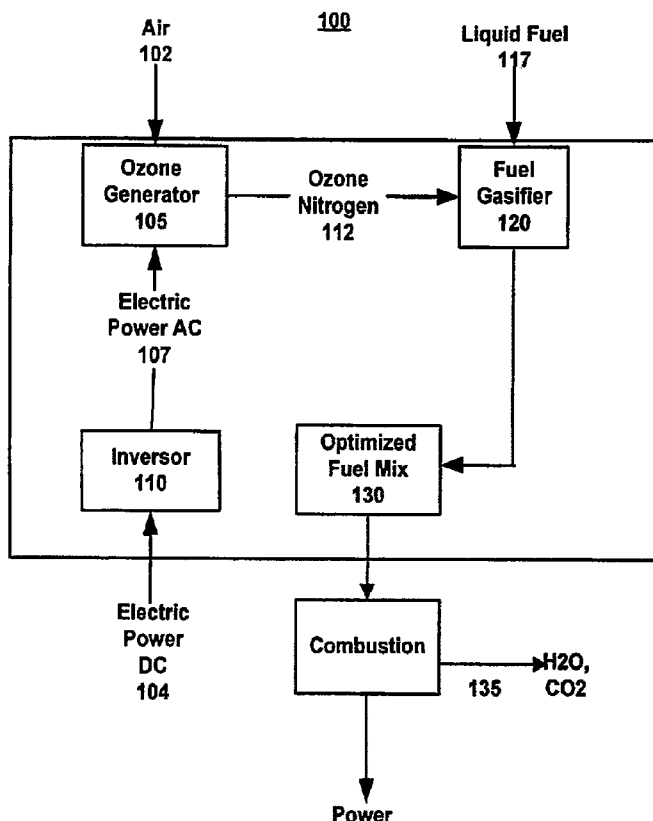
AT, AU, AZ, BA, BB, BG, BH, BR, BW, BY, BZ, CA, CH, CN, CO, CR, CU, CZ, DE, DK, DM, DZ, EC, EE, EG, ES, FI, GB, GD, GE, GH, GM, GT, HN, HR, HU, ID, IL, IN, IS, JP, KE, KG, KM, KN, KP, KR, KZ, LA, LC, LK, LR, LS, LT, LU, LY, MA, MD, ME, MG, MK, MN, MW, MX, MY, MZ, NA, NG, NI, NO, NZ, OM, PG, PH, PL, PT, RO, RS, RU, SC, SD, SE, SG, SK, SL, SM, SV, SY, TJ, TM, TN, TR, TT, TZ, UA, UG, US, UZ, VC, VN, ZA, ZM, ZW.

(84) Designated States (unless otherwise indicated, for every kind of regional protection available): ARIPO (BW, GH, GM, KE, LS, MW, MZ, NA, SD, SL, SZ, TZ, UG, ZM, ZW), Eurasian (AM, AZ, BY, KG, KZ, MD, RU, TJ, TM), European (AT, BE, BG, CH, CY, CZ, DE, DK, EE, ES, FI, FR, GB, GR, HU, IE, IS, IT, LT, LU, LV, MC, MT, NL, PL, PT, RO, SE, SI, SK, TR), OAPI (BF, BJ, CF, CG, CI, CM, GA, GN, GQ, GW, ML, MR, NE, SN, TD, TG).

Published:
— with international search report

(88) Date of publication of the international search report:
3 July 2008

(54) Title: SYSTEM AND METHOD FOR PREPARING AN OPTIMIZED FUEL MIXTURE



(57) Abstract: The invention provides for a system and method for creating an optimized fuel/air mixture for more efficient combustion. The system in accordance with the invention includes an ozone generator (105) and a gasifier (120) that receives liquid fuel (117) and ozone (112) and creates an optimized fuel mixture (130). The optimized fuel/air mixture (130) is then delivered to the cylinders of a combustion engine (135).

WO 2008/017961 A3

INTERNATIONAL SEARCH REPORT

International application No
PCT/IB2007/003327

A. CLASSIFICATION OF SUBJECT MATTER INV. F02M25/12 ADD. F02M27/04 C01B13/11		
According to International Patent Classification (IPC) or to both national classification and IPC		
B. FIELDS SEARCHED Minimum documentation searched (classification system followed by classification symbols) F02M F02D C01B		
Documentation searched other than minimum documentation to the extent that such documents are included in the fields searched		
Electronic data base consulted during the international search (name of data base and, where practical, search terms used) EPO-Internal, WPI Data		
C. DOCUMENTS CONSIDERED TO BE RELEVANT		
Category*	Citation of document, with indication, where appropriate, of the relevant passages	Relevant to claim No.
X	GB 714 015 A (DAVID SABETAY) 18 August 1954 (1954-08-18) figures page 2, line 33 - line 87	1-3,6,8, 10-12, 16,17
A	page 2, line 116 - page 3, line 8	4,5,7,9, 13-15,18
X	----- FR 2 288 870 A (SOCIETEE EUROPEENNE D'EQUIPEMENT CLIMATIQUE) 21 May 1976 (1976-05-21) figures page 4, line 6 - line 35	1-6, 10-15
A	page 5, line 6 - line 30 ----- -/--	7-9, 16-18
<input checked="" type="checkbox"/> Further documents are listed in the continuation of Box C.		
<input checked="" type="checkbox"/> See patent family annex.		
* Special categories of cited documents :		
A document defining the general state of the art which is not considered to be of particular relevance *E* earlier document but published on or after the international filing date *L* document which may throw doubts on priority claim(s) or which is cited to establish the publication date of another citation or other special reason (as specified) *O* document referring to an oral disclosure, use, exhibition or other means *P* document published prior to the international filing date but later than the priority date claimed	*T* later document published after the international filing date or priority date and not in conflict with the application but cited to understand the principle or theory underlying the invention *X* document of particular relevance; the claimed invention cannot be considered novel or cannot be considered to involve an inventive step when the document is taken alone *Y* document of particular relevance; the claimed invention cannot be considered to involve an inventive step when the document is combined with one or more other such documents, such combination being obvious to a person skilled in the art. *&* document member of the same patent family	
Date of the actual completion of the international search <p style="text-align: center; font-weight: bold;">27 March 2008</p>	Date of mailing of the international search report <p style="text-align: center; font-weight: bold;">03/04/2008</p>	
Name and mailing address of the ISA/ European Patent Office, P.B. 5818 Patentlaan 2 NL - 2260 HV Rijswijk Tel. (+31-70) 340-2040, Tx. 31 651 epo nl, Fax: (+31-70) 340-3016	Authorized officer <p style="text-align: center; font-weight: bold;">Döring, Marcus</p>	

INTERNATIONAL SEARCH REPORT

International application No

PCT/IB2007/003327

C(Continuation). DOCUMENTS CONSIDERED TO BE RELEVANT		
Category*	Citation of document, with indication, where appropriate, of the relevant passages	Relevant to claim No.
X	JP 2002 309941 A (NISSAN MOTOR CO LTD) 23 October 2002 (2002-10-23) abstract; figures page 3, paragraph 23 - page 4, paragraph 24	1-3, 7-12, 16-18
A	page 4, paragraph 34 - page 5, paragraph 46 -----	4-6, 13-15
X	GB 2 084 244 A (PERSINGER JAMES GARLAND) 7 April 1982 (1982-04-07) abstract; figures page 2, line 25 - line 123 page 3, line 12 - line 65	1-3,6, 10-12
A	page 4, line 22 - line 45 -----	4,5,7-9, 13-18
X	GB 512 211 A (EDWIN SCHWARZENBACH) 30 August 1939 (1939-08-30) figures page 1, line 32 - line 48	1-3, 8-12, 16-18
A	page 1, line 55 - page 2, line 52 -----	4-7, 13-15
X	DE 12 58 658 B (FA. HOME APPLIANCE ESTABLISHMENT HOMAP) 11 January 1968 (1968-01-11) figures	1-3, 10-12
A	column 3, line 7 - column 4, line 14 -----	4-9, 13-18
X	GB 687 947 A (RAYMOND HENRI PIERRE DEVAUX) 25 February 1953 (1953-02-25) figures page 1, line 65 - line 75 page 2, line 33 - line 80	1-3, 10-12
A	 -----	4-9, 13-18
X	EP 1 146 220 A (KONDO MASANORI) 17 October 2001 (2001-10-17) abstract; figures	1,7,10
A	page 4, paragraph 29 - page 5, paragraph 32 -----	2-6,8,9, 11-18

INTERNATIONAL SEARCH REPORT

Information on patent family members

International application No
PCT/IB2007/003327

Patent document cited in search report	A	Publication date	ES	Patent family member(s)	Publication date
GB 714015	A	18-08-1954	ES	207594 A1	16-04-1953
FR 2288870	A	21-05-1976	NONE		
JP 2002309941	A	23-10-2002	NONE		
GB 2084244	A	07-04-1982	AU	6404480 A	01-04-1982
			DE	3042363 A1	13-05-1982
			FR	2491151 A1	02-04-1982
			JP	57059051 A	09-04-1982
GB 512211	A	30-08-1939	NONE		
DE 1258658	B	11-01-1968	NONE		
GB 687947	A	25-02-1953	NONE		
EP 1146220	A	17-10-2001	JP	2001295706 A	26-10-2001
			US	2001042370 A1	22-11-2001