



US00D340613S

United States Patent [19]

[11] Patent Number: **Des. 340,613**

Kesling

[45] Date of Patent: **** Oct. 26, 1993**

[54] **COLLAPSIBLE PORTABLE STOVE**

[76] Inventor: **Donald W. Kesling**, 12735 Tustin St., Poway, Calif. 92064

[**] Term: **14 Years**

[21] Appl. No.: **725,822**

[22] Filed: **Jul. 3, 1991**

[52] U.S. Cl. **D7/332, 337; 126/25 R,**

[58] Field of Search **D7/332, 337; 126/25 R, 126/25 A, 25 B, 29, 30, 9 R; 99/419, 421 R, 421 A**

D. 330,482	10/1992	Demirjian	D7/337
2,806,463	9/1957	Smith	D7/332
3,306,281	2/1967	Hoebel	D7/337
4,069,806	1/1978	Landry	126/59

Primary Examiner—Ruth McInroy
Attorney, Agent, or Firm—David L. Baker

[57] **CLAIM**

The ornamental design for a collapsible portable stove, as shown.

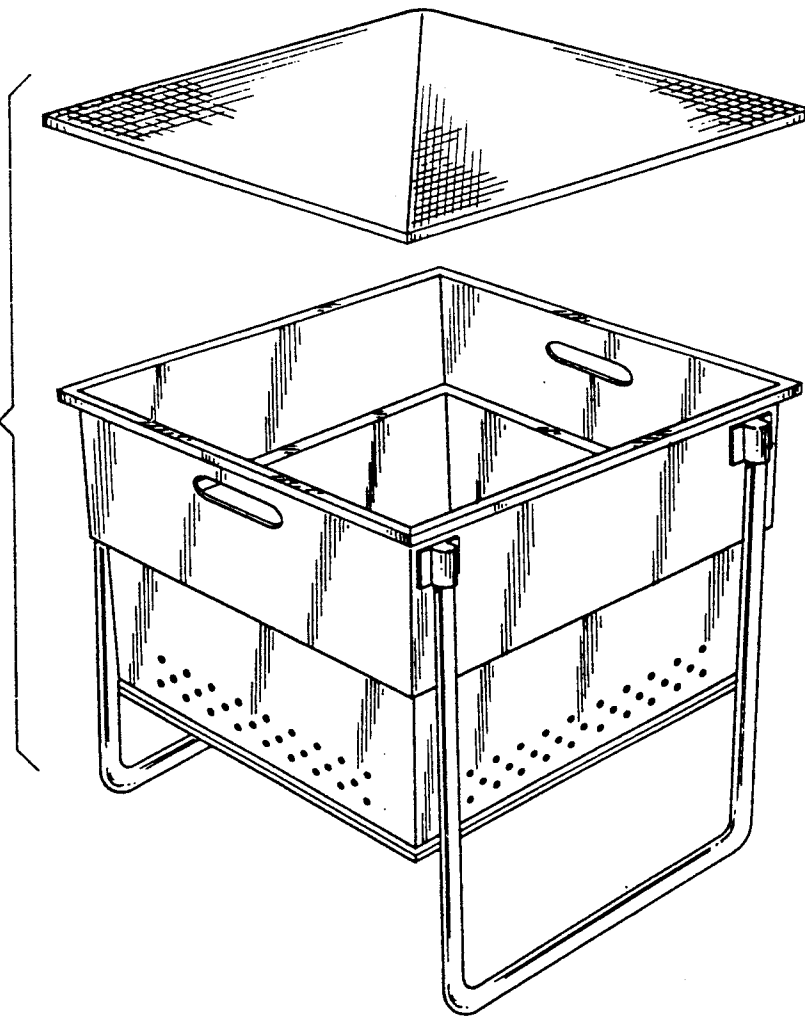
DESCRIPTION

FIG. 1 is an exploded perspective view of a collapsible portable stove showing my new design; FIG. 2 is an enlarged partial sectional view taken along line 2—2 in FIG. 4; FIG. 3 is a left side elevational view thereof, the right side being a mirror image; FIG. 4 is a front elevational view thereof, the rear view being a mirror image; and, FIG. 5 is a bottom plan view thereof.

[56] **References Cited**

U.S. PATENT DOCUMENTS

D. 98,885	1/1936	Pearson	D7/332
D. 179,054	10/1956	Beeler	D7/332
D. 182,266	3/1958	Alexander	D7/337
D. 186,967	12/1959	Webster et al.	D7/337
D. 282,139	1/1986	Radford	D7/337
D. 320,527	10/1991	Carroll	D7/332



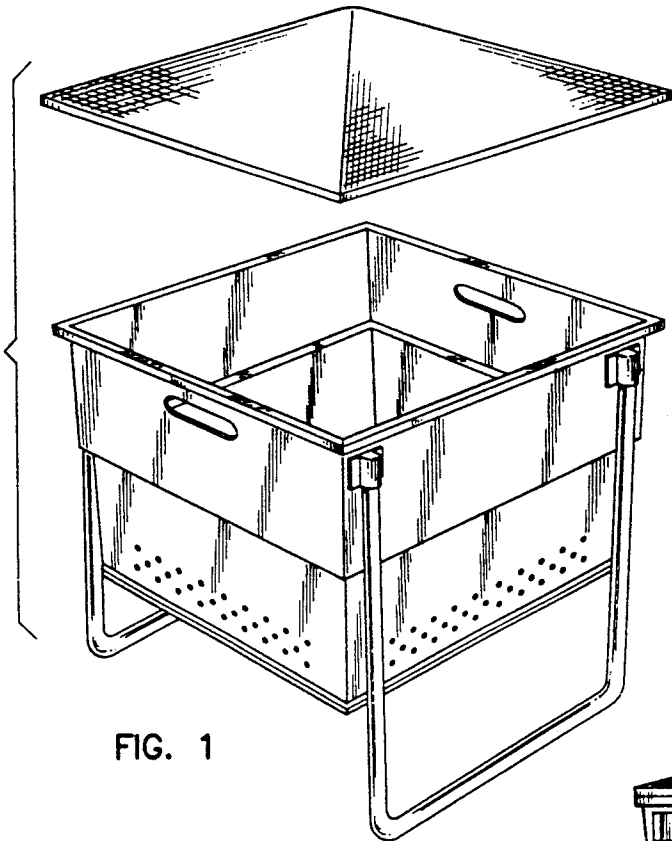


FIG. 1

FIG. 2

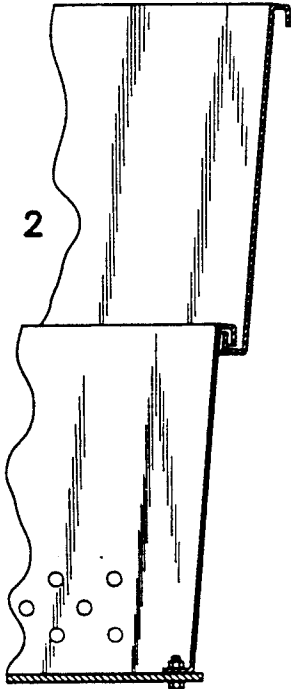


FIG. 3

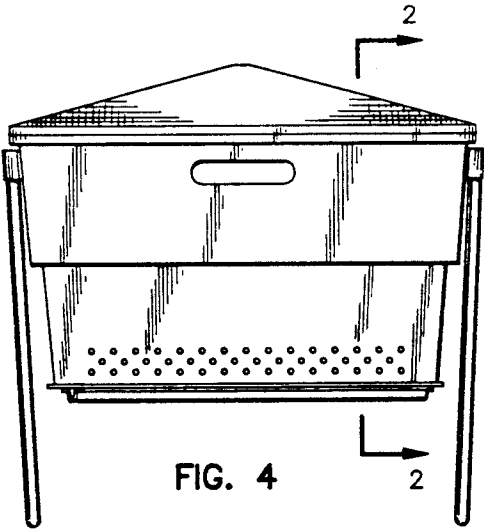
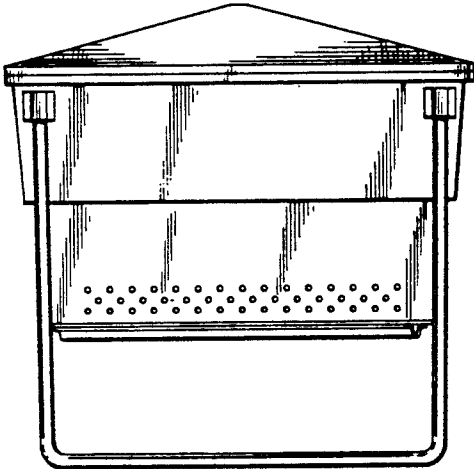


FIG. 4

FIG. 5

