



US00D548351S

(12) **United States Design Patent**
Weng

(10) **Patent No.:** **US D548,351 S**

(45) **Date of Patent:** **** Aug. 7, 2007**

(54) **INFLATABLE ISOLATION CHAMBER**

(75) Inventor: **Po-Hsien Weng**, Taipei (TW)

(73) Assignee: **Regal Trade Holdings Corp.**, Taipei (TW)

(**) Term: **14 Years**

(21) Appl. No.: **29/257,574**

(22) Filed: **Apr. 7, 2006**

(51) **LOC (8) Cl.** **24-02**

(52) **U.S. Cl.** **D24/202**

(58) **Field of Classification Search** D24/201-203,
D24/163; 4/524, 525, 529, 530, 537, 536;
607/81, 90, 91, 83, 16, 49, 70; 600/21, 22;
D21/835; 454/187

See application file for complete search history.

(56) **References Cited**

U.S. PATENT DOCUMENTS

- 4,023,219 A * 5/1977 Shindler 5/629
- D266,700 S * 10/1982 Higgins D24/202
- D275,605 S * 9/1984 Taylor D24/202
- 4,565,188 A * 1/1986 Hardie 601/16
- 4,712,538 A * 12/1987 Hardie et al. 601/16

- D377,530 S * 1/1997 Daffer et al. D24/202
- D522,659 S * 6/2006 Cote D24/202
- 2005/0004423 A1* 1/2005 Shenosky et al. 600/21
- 2006/0020159 A1* 1/2006 Ellen 600/21

* cited by examiner

Primary Examiner—Ian Simmons

Assistant Examiner—Melanie Levy

(74) *Attorney, Agent, or Firm*—Troxell Law Office, PLLC

(57) **CLAIM**

The ornamental design for the inflatable isolation chamber, as shown and described.

DESCRIPTION

FIG. 1 is a perspective view of the inflatable isolation chamber showing the new design;

FIG. 2 is a front view of the new design;

FIG. 3 is a rear view of the new design;

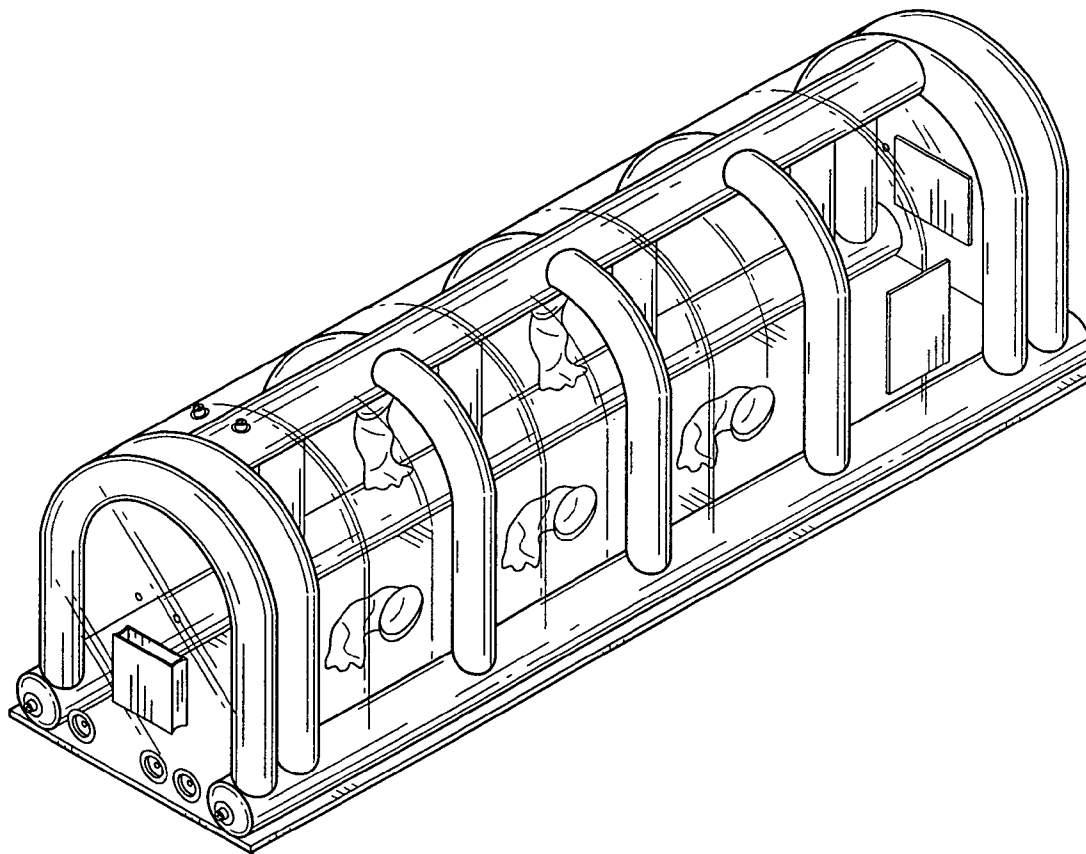
FIG. 4 is a left view of the new design;

FIG. 5 is a right view of the new design;

FIG. 6 is a top view of the new design; and,

FIG. 7 is a bottom view of the new design.

1 Claim, 5 Drawing Sheets



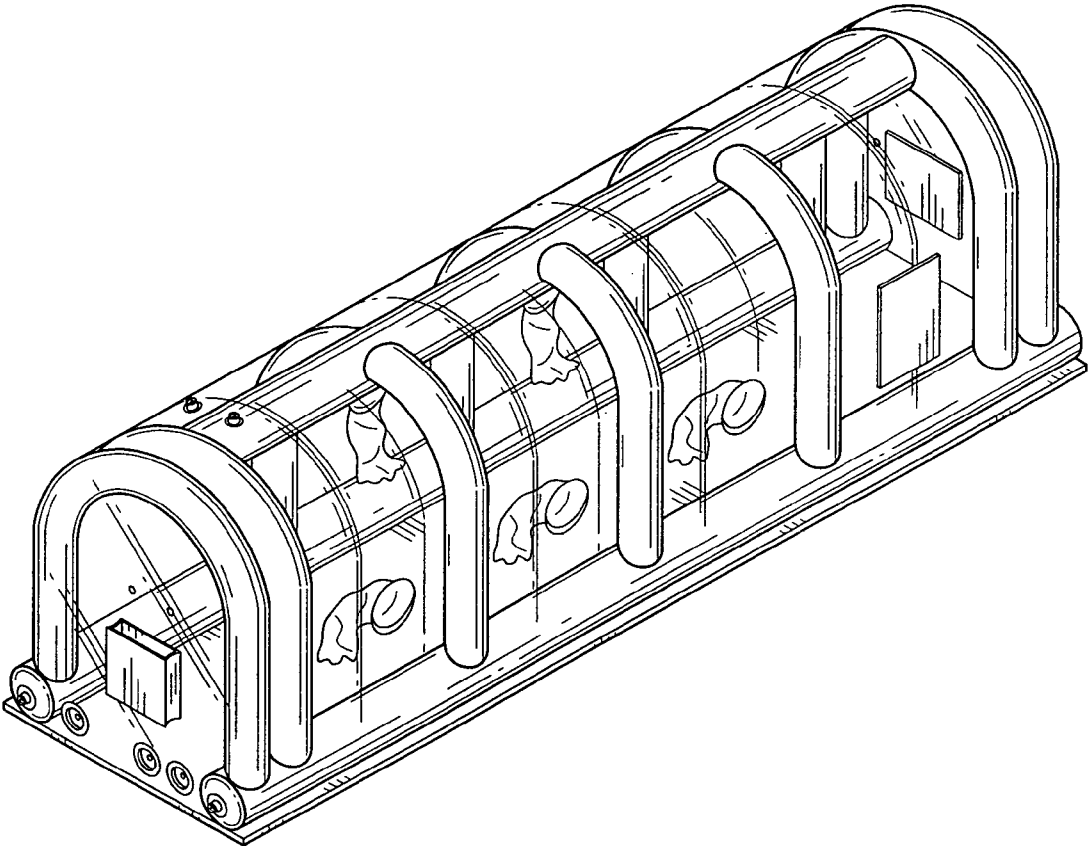


FIG. 1

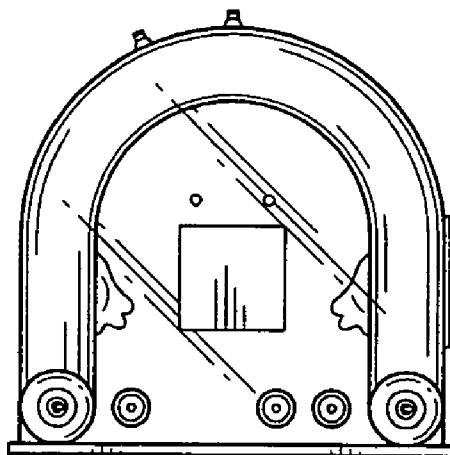


FIG. 2

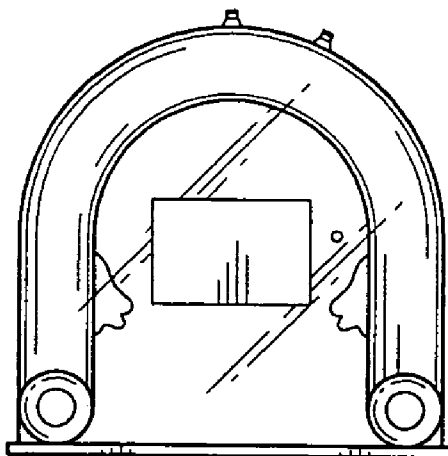


FIG. 3

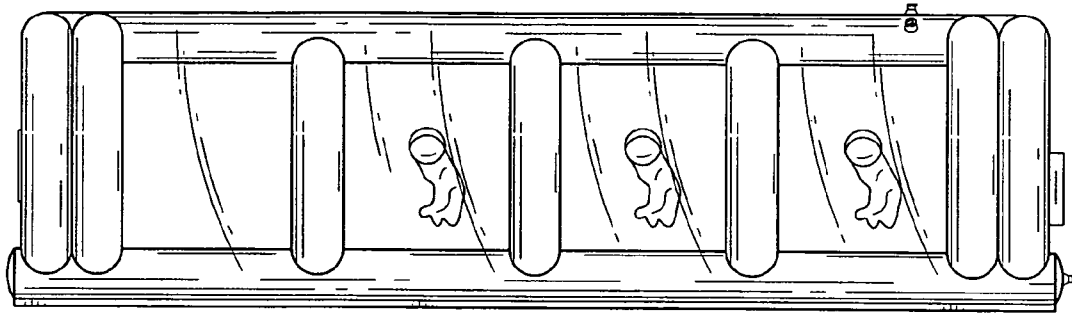


FIG. 4

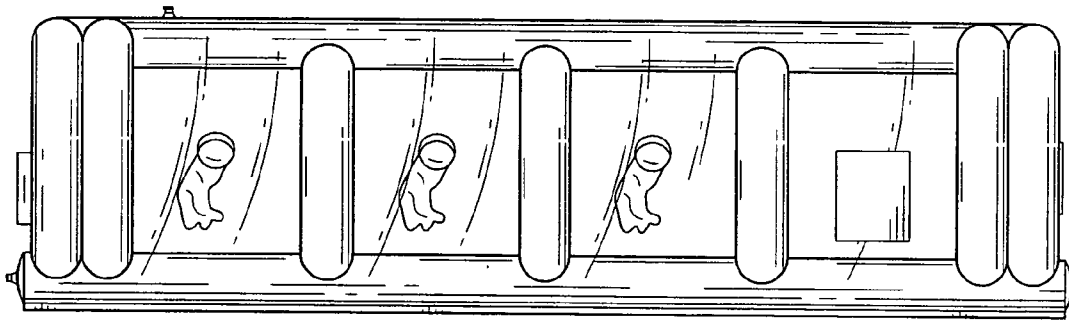


FIG. 5

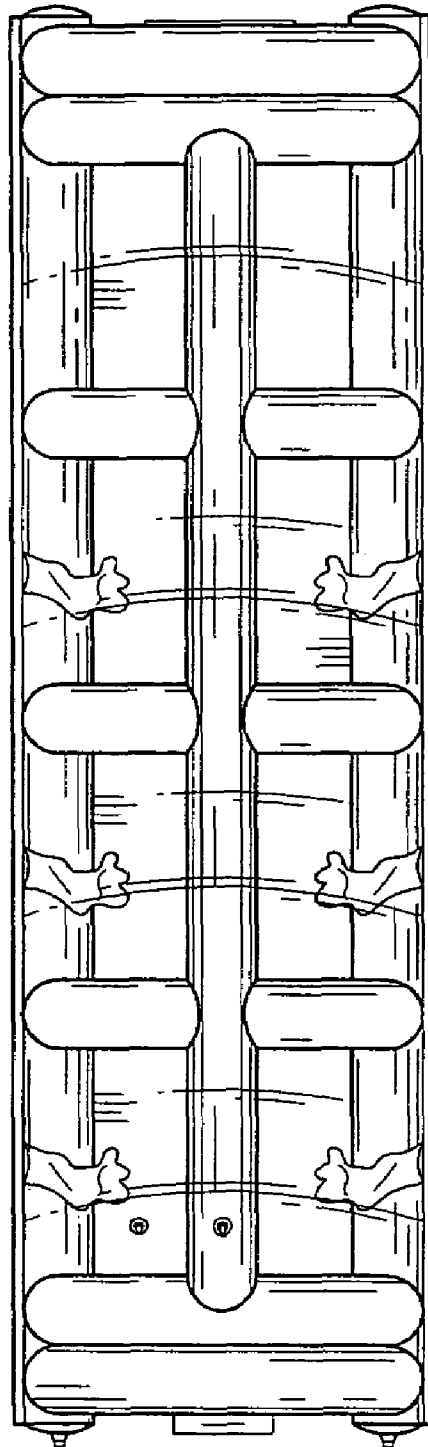


FIG. 6

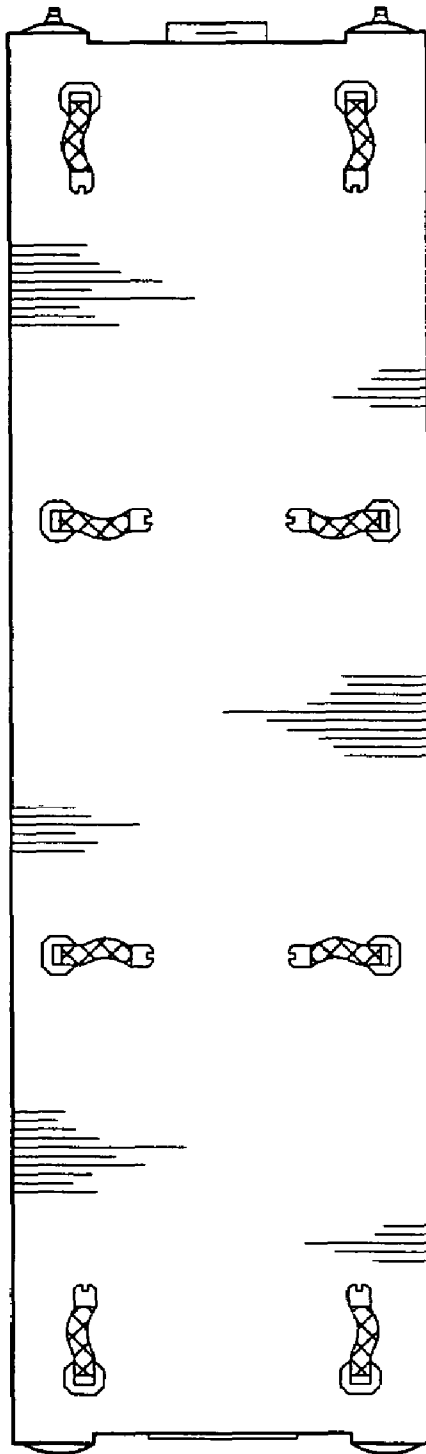


FIG. 7