



US00D514533S

(12) **United States Design Patent**
Sugiyama et al.

(10) **Patent No.:** **US D514,533 S**

(45) **Date of Patent:** **** Feb. 7, 2006**

(54) **NOISE ABSORBER**

(75) Inventors: **Hiroyuki Sugiyama**, Sendai (JP);
Takayuki Osada, Natori (JP)

(73) Assignee: **NEC Tokin Corporation**, Miyagi (JP)

(**) Term: **14 Years**

(21) Appl. No.: **29/183,408**

(22) Filed: **Jun. 10, 2003**

(30) **Foreign Application Priority Data**

Dec. 11, 2002 (JP) 2002-359121

(51) **LOC (8) Cl.** **13-03**

(52) **U.S. Cl.** **D13/199**

(58) **Field of Classification Search** D13/199;
174/92; 333/12; 336/92, 176
See application file for complete search history.

(56) **References Cited**

U.S. PATENT DOCUMENTS

4,972,167	A	*	11/1990	Fujioka	336/92
5,355,109	A	*	10/1994	Yamazaki	336/92
5,900,796	A	*	5/1999	Parker	336/92
5,942,964	A	*	8/1999	Takeuchi	336/92
6,078,241	A	*	6/2000	Watanabe et al.	336/92
6,285,265	B1	*	9/2001	Morita et al.	333/12
6,515,230	B1	*	2/2003	Hirakawa et al.	174/92
6,559,748	B1	*	5/2003	Nakano	336/176

FOREIGN PATENT DOCUMENTS

JP 867319 2/1993

* cited by examiner

Primary Examiner—Prabhakar Deshmukh

Assistant Examiner—Selina Sikder

(74) *Attorney, Agent, or Firm*—Frishauf, Holtz, Goodman & Chick, PC

(57) **CLAIM**

The ornamental design for a noise absorber, as shown and described.

DESCRIPTION

FIG. 1 is a front elevational view of a noise absorber showing our new design, the rear elevational view being a mirror image thereof;

FIG. 2 is a right side elevational view thereof;

FIG. 3 is a left side elevational view thereof;

FIG. 4 is a top plan view thereof;

FIG. 5 is a bottom plan view thereof;

FIG. 6 is a sectional view thereof along line 6—6 in FIG. 1;

FIG. 7 is a sectional view thereof along line 7—7 in FIG. 4;

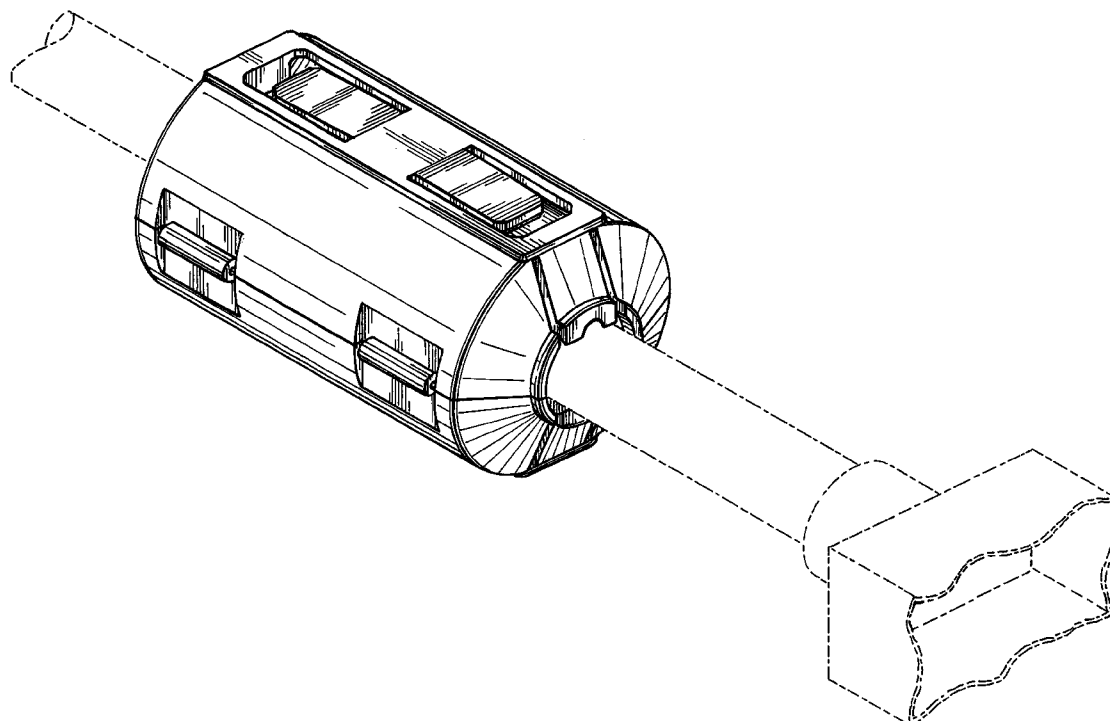
FIG. 8 is a front elevational view thereof in a closed state, the rear elevational view being a mirror image thereof;

FIG. 9 is a left side elevational view thereof in a closed state;

FIG. 10 is a top plan view thereof in a closed state; and,

FIG. 11 is a top, rear, right side perspective view thereof, showing the noise absorber as used with an electric cable. The broken line showing in FIG. 11 is for illustrative purposes only and forms no part of the claimed design.

1 Claim, 6 Drawing Sheets



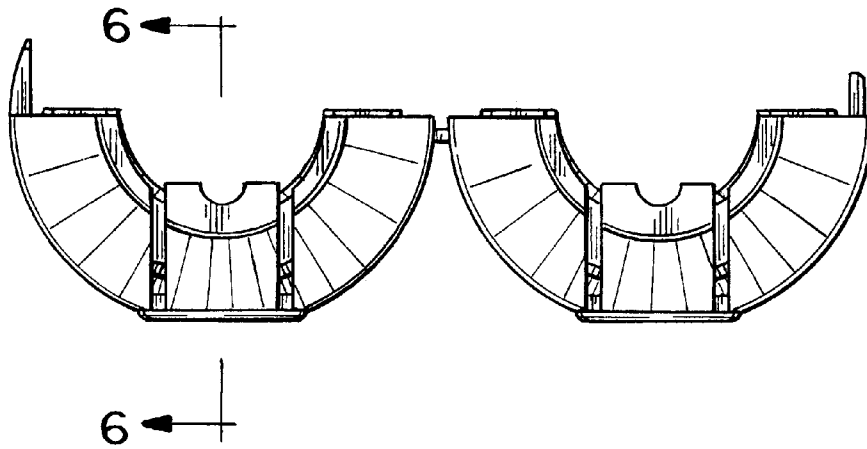


FIG. 1

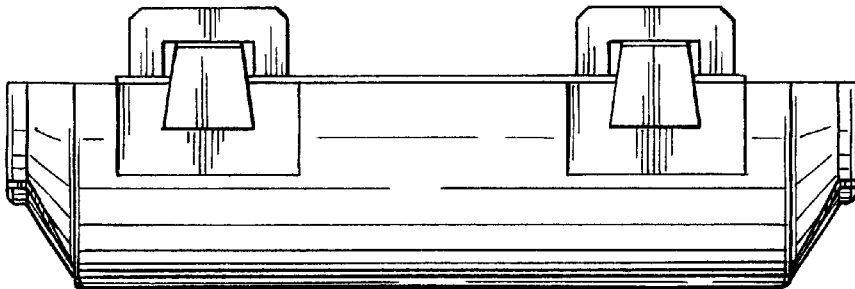


FIG. 2

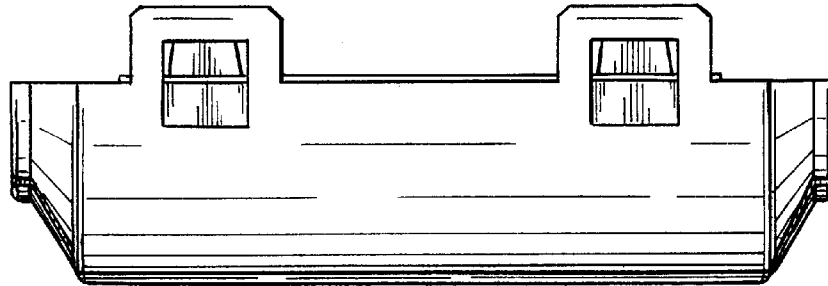


FIG. 3

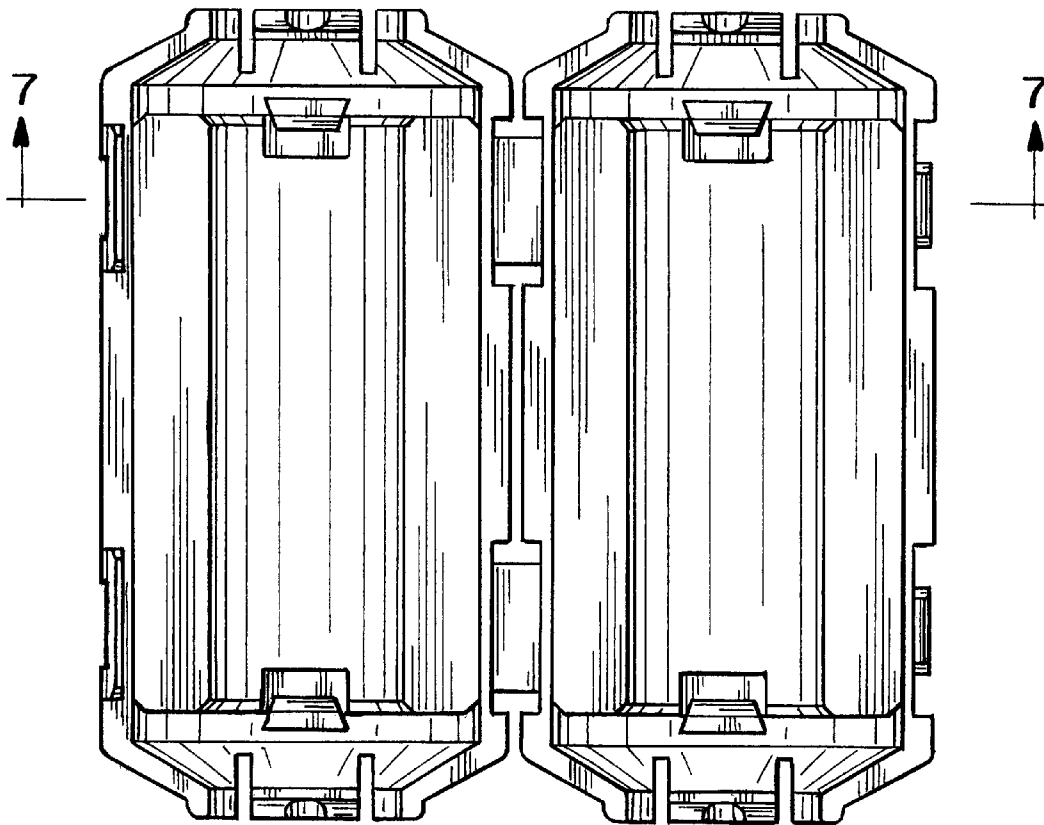


FIG. 4

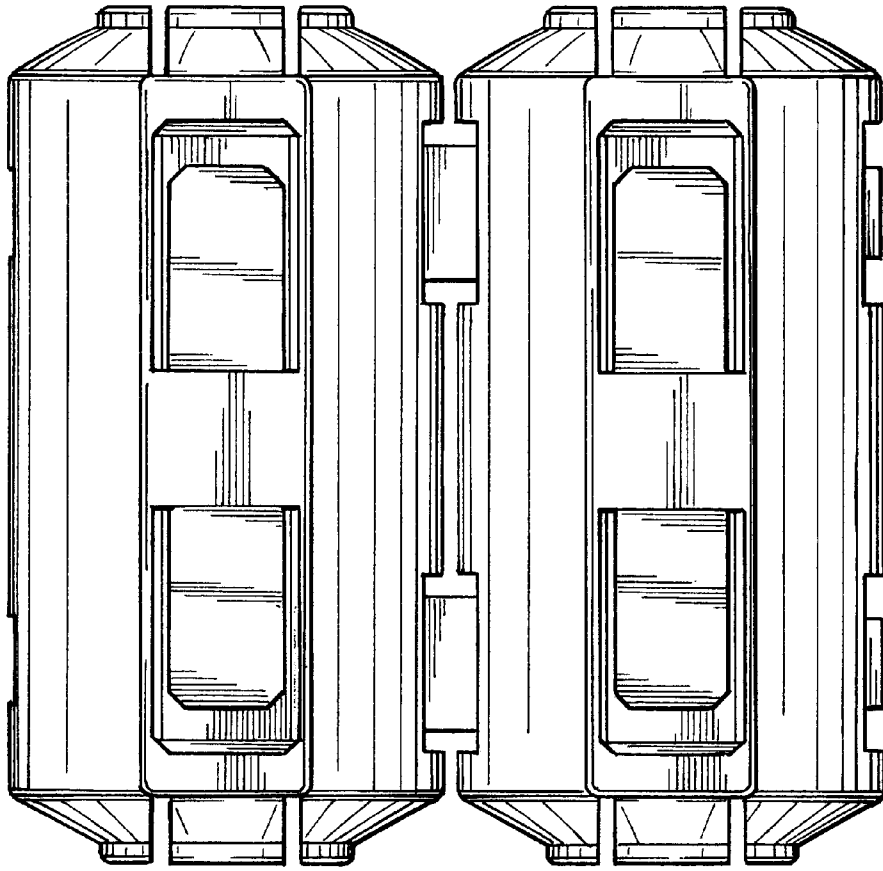


FIG. 5

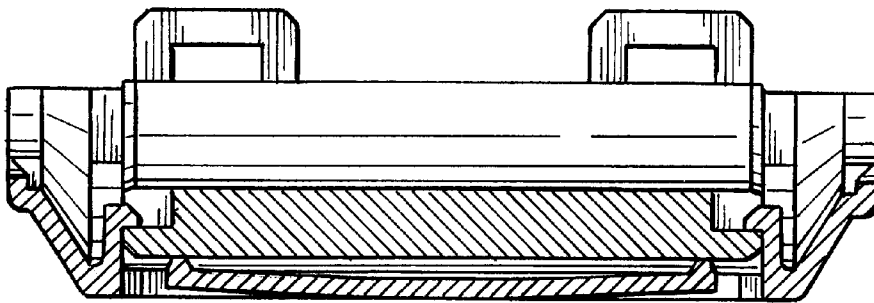


FIG. 6

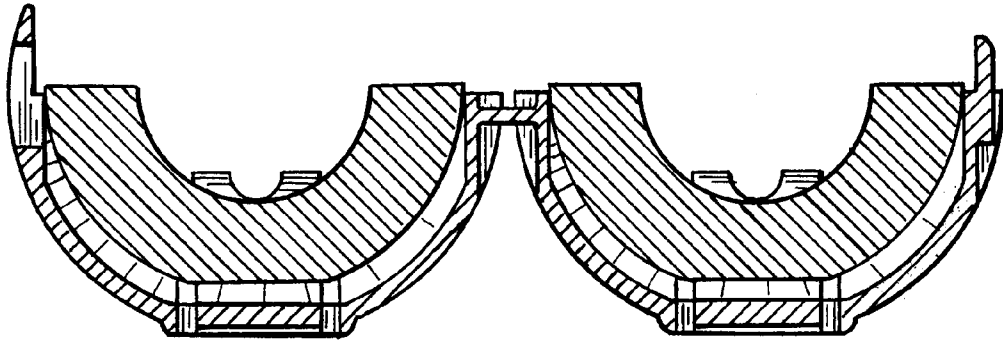


FIG. 7

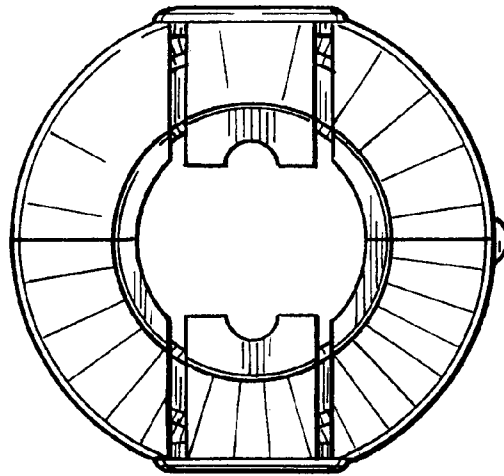


FIG. 8

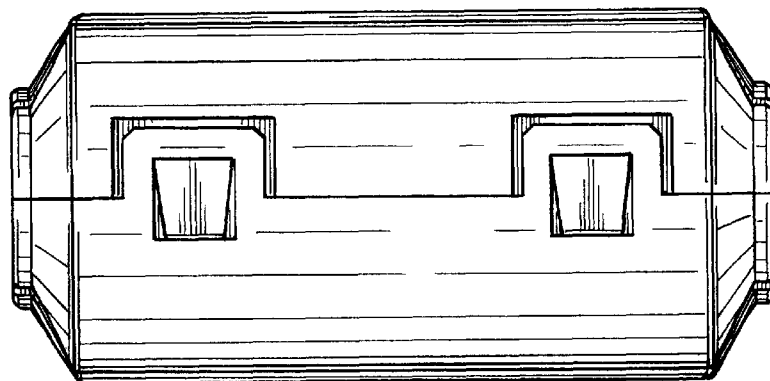


FIG. 9

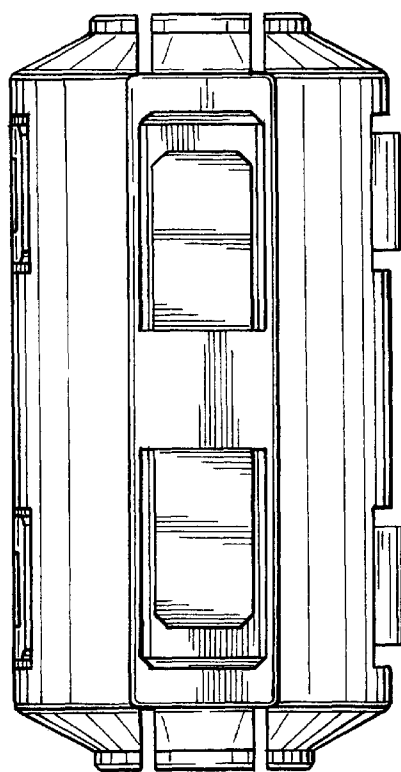


FIG. 10

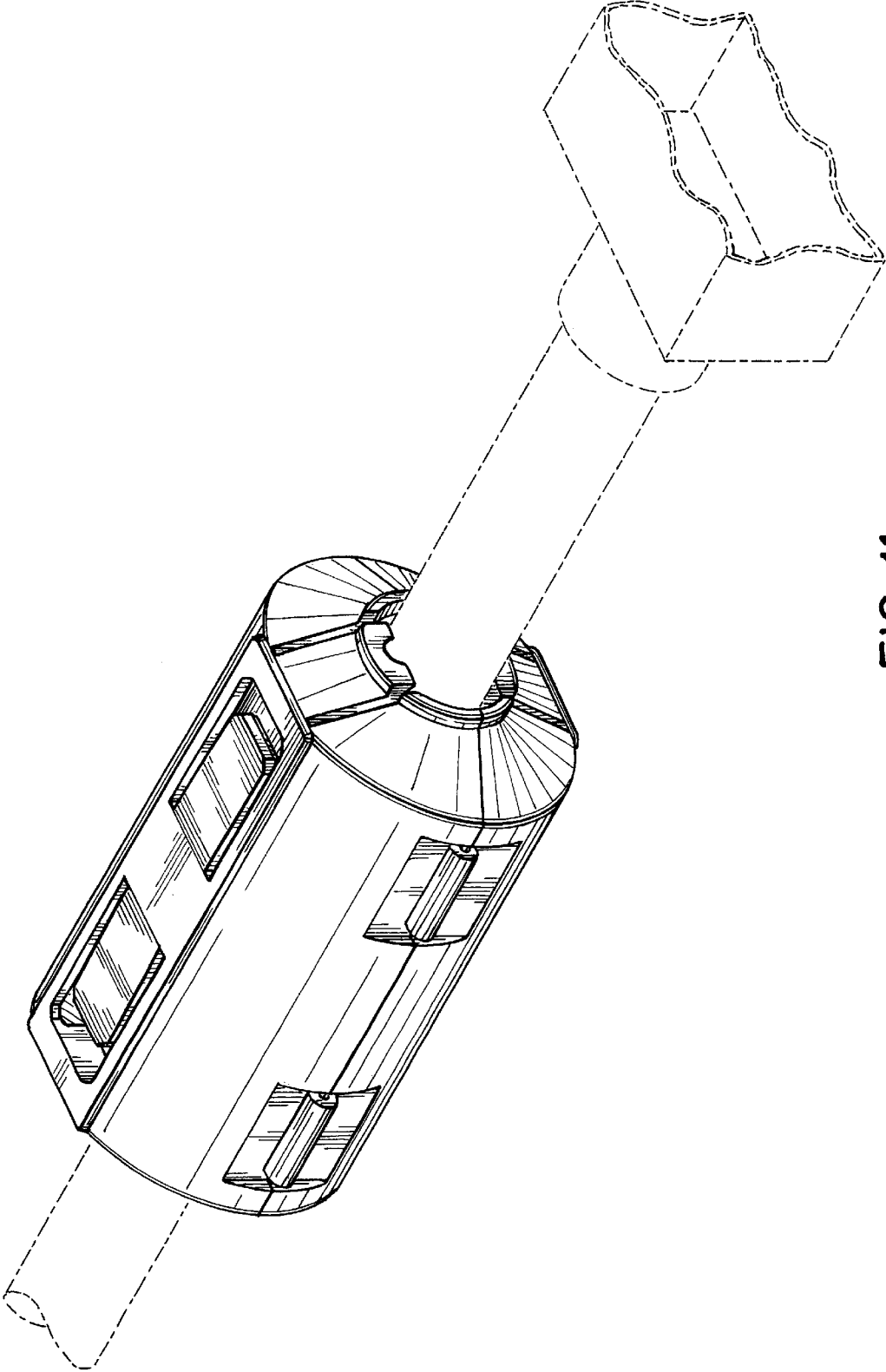


FIG. 11