



US00D768413S

(12) **United States Design Patent**  
**Huang**

(10) **Patent No.:** **US D768,413 S**

(45) **Date of Patent:** **\*\* Oct. 11, 2016**

- (54) **SIDEBOARD**
- (71) Applicant: **Hua Chang Huang**, Fujian Province (CN)
- (72) Inventor: **Hua Chang Huang**, Fujian Province (CN)
- (\*\*) Term: **14 Years**
- (21) Appl. No.: **29/526,605**
- (22) Filed: **May 12, 2015**
- (51) **LOC (10) Cl.** ..... **06-04**
- (52) **U.S. Cl.**  
USPC ..... **D6/671**
- (58) **Field of Classification Search**  
USPC ..... D6/663, 661, 667, 671, 671.1, 671.2, D6/671.3, 671.4  
CPC ..... A47B 17/04; A47B 45/00; A47B 67/00; A47B 67/04; A47B 88/00; A47B 88/04; A47B 88/044  
See application file for complete search history.

3,700,300 A	*	10/1972	Davis	.....	A47B 67/04
					312/257.1
D244,074 S	*	4/1977	Zola	.....	D6/671
D363,392 S	*	10/1995	Paus	.....	D6/671.2
D371,018 S	*	6/1996	Paus	.....	D6/661
D384,836 S	*	10/1997	Lenger	.....	D6/671
D479,058 S	*	9/2003	Walker	.....	D6/671
D560,391 S	*	1/2008	Draheim	.....	D6/671
D653,051 S	*	1/2012	Lin	.....	D6/661

\* cited by examiner

*Primary Examiner* — Mimosa De

(57) **CLAIM**

The ornamental design for a sideboard, as shown and described.

**DESCRIPTION**

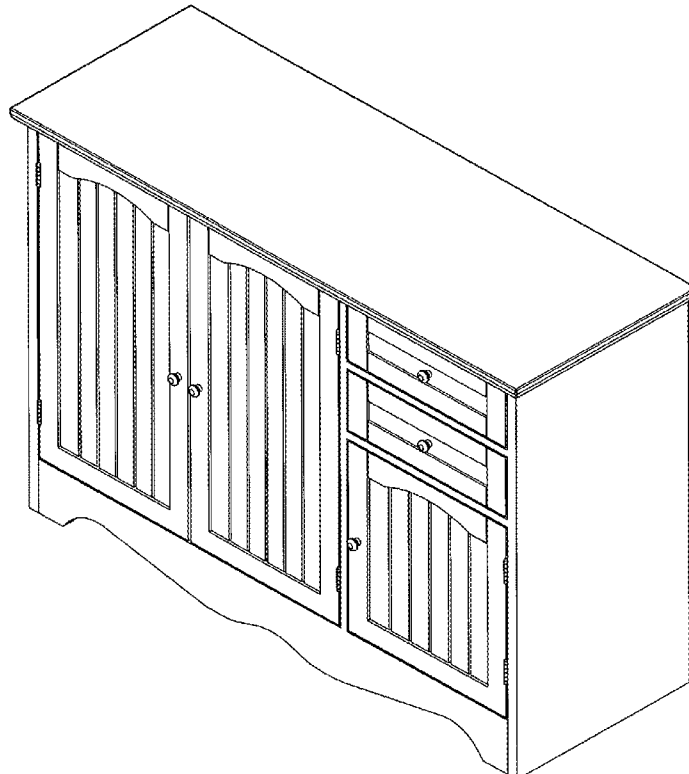
FIG. 1 is a front elevational view of a sideboard showing my new design;  
 FIG. 2 is a rear elevational view thereof;  
 FIG. 3 is a left side view thereof;  
 FIG. 4 is a right side view thereof;  
 FIG. 5 is a top plan view thereof;  
 FIG. 6 is a bottom plan view thereof;  
 FIG. 7 is a perspective view thereof;  
 FIG. 8 is a second perspective view thereof;  
 FIG. 9 is a third perspective view thereof; and,  
 FIG. 10 is a fourth perspective view thereof.  
 The broken lines showing of the screws in the drawing are for illustrative purposes only and form no part of the claimed design.

(56) **References Cited**

**U.S. PATENT DOCUMENTS**

D44,093 S	*	5/1913	Ellis	.....	D6/671.2
D45,235 S	*	2/1914	McClerman	.....	D6/671.2
D46,047 S	*	7/1914	Curtenius	.....	D6/671.2
D48,308 S	*	12/1915	Coss	.....	D6/671.2

**1 Claim, 7 Drawing Sheets**



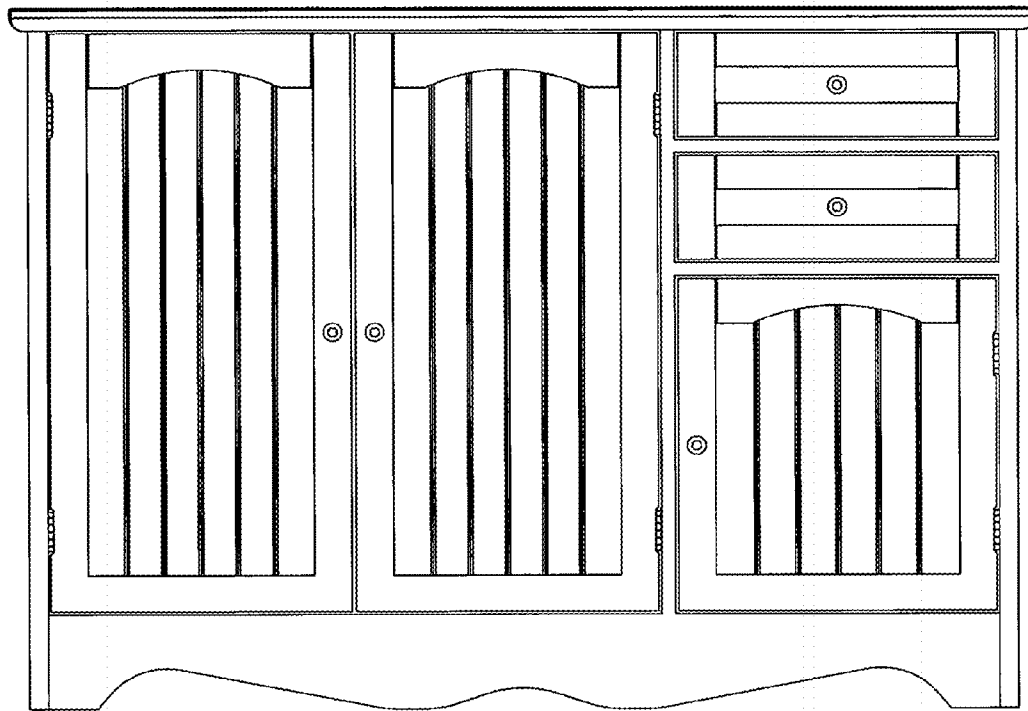


FIG. 1

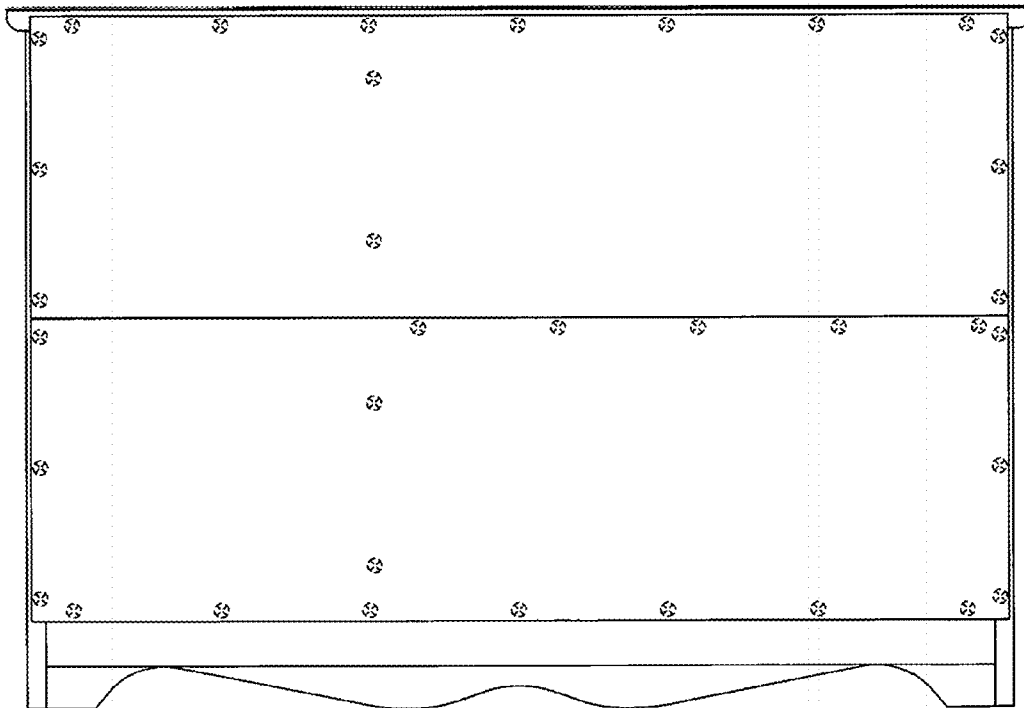


FIG. 2

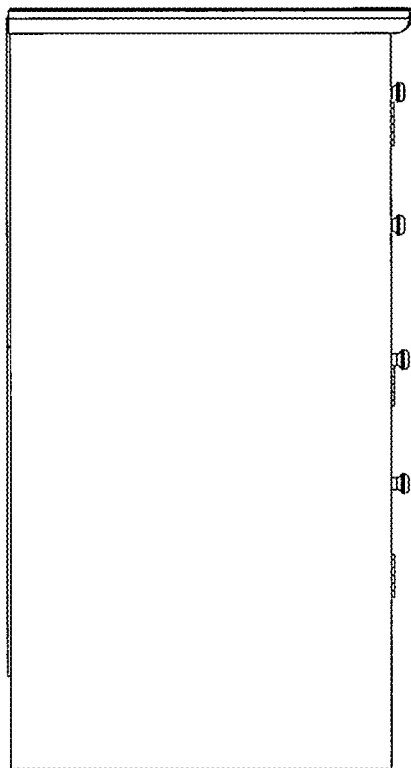


FIG. 3

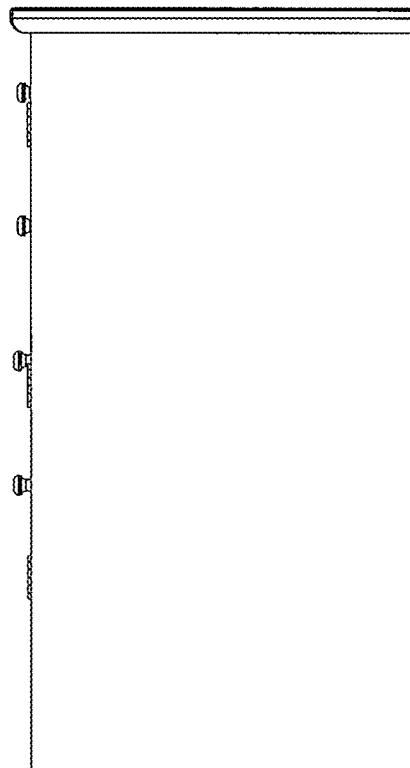


FIG. 4

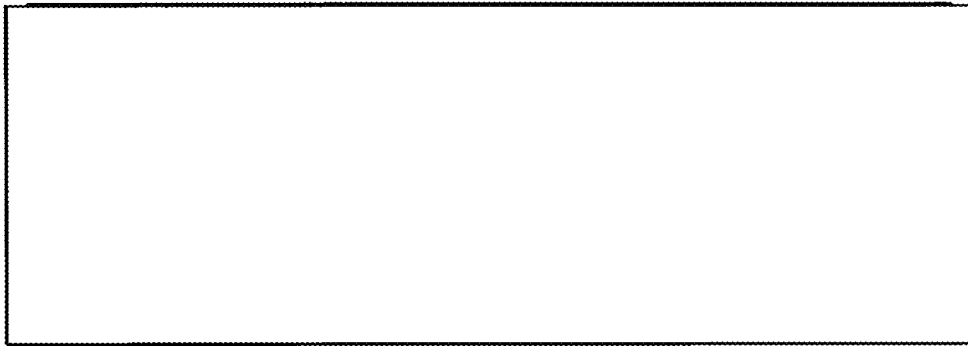


FIG. 5

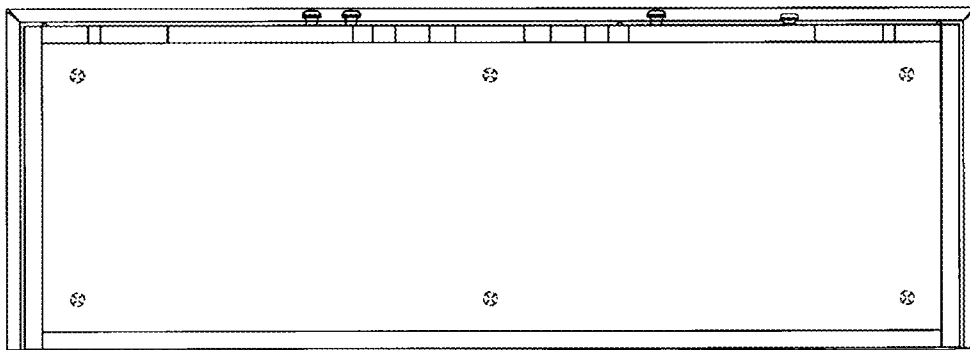


FIG. 6

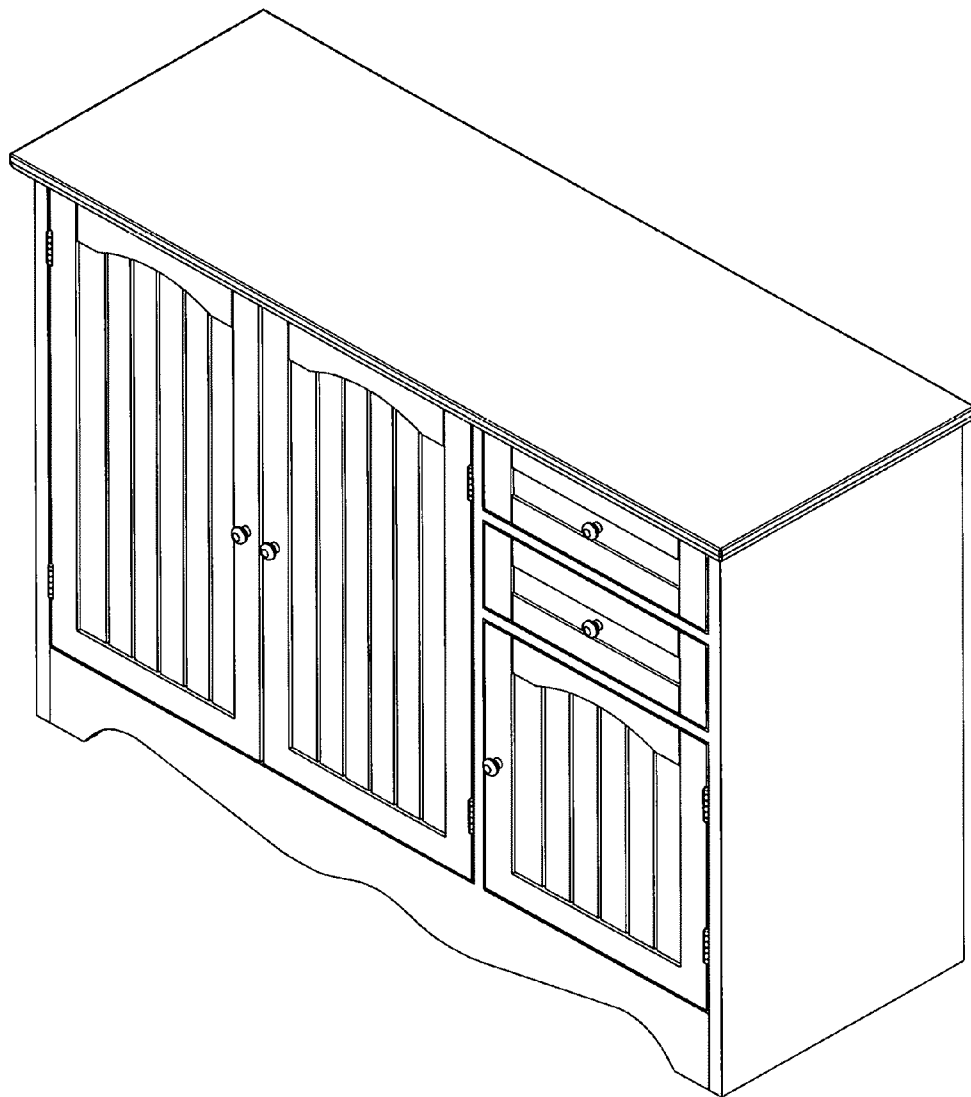


FIG. 7

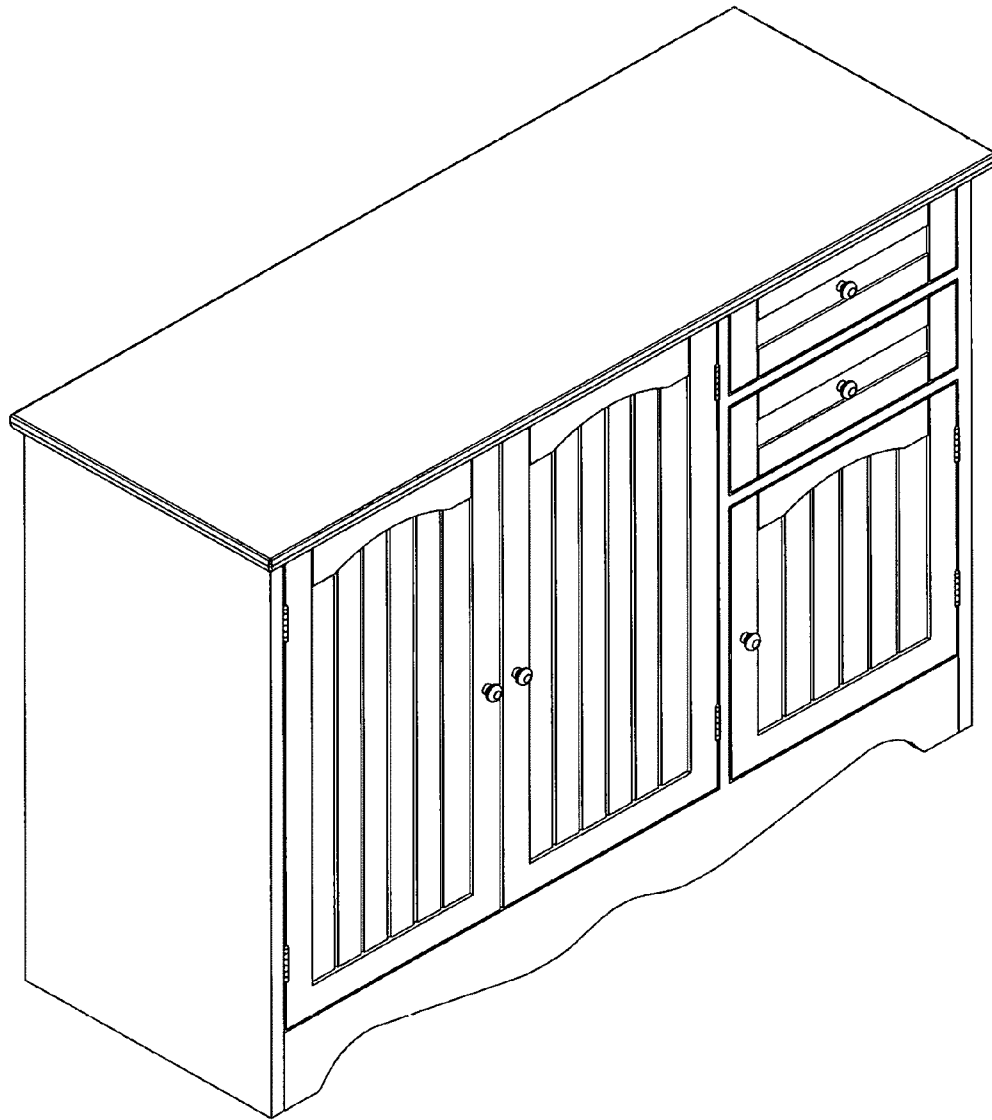


FIG. 8

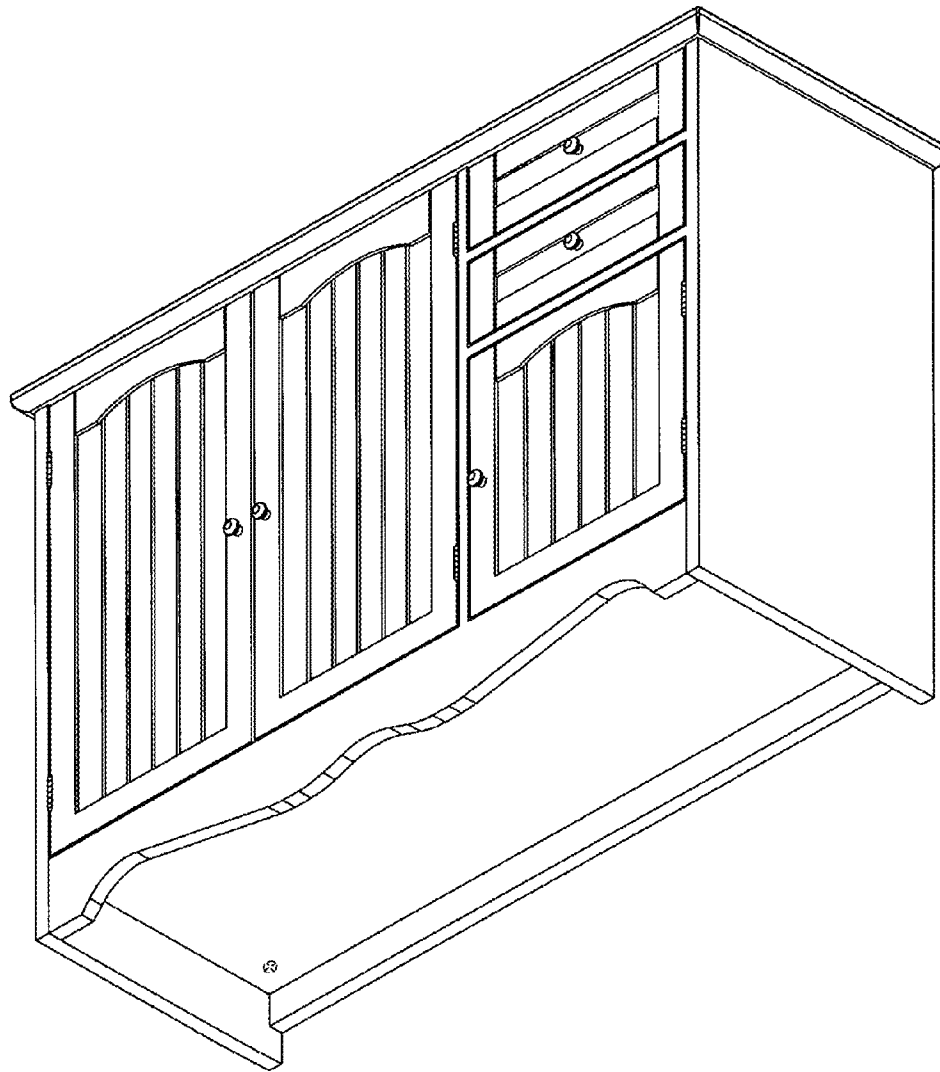


FIG. 9

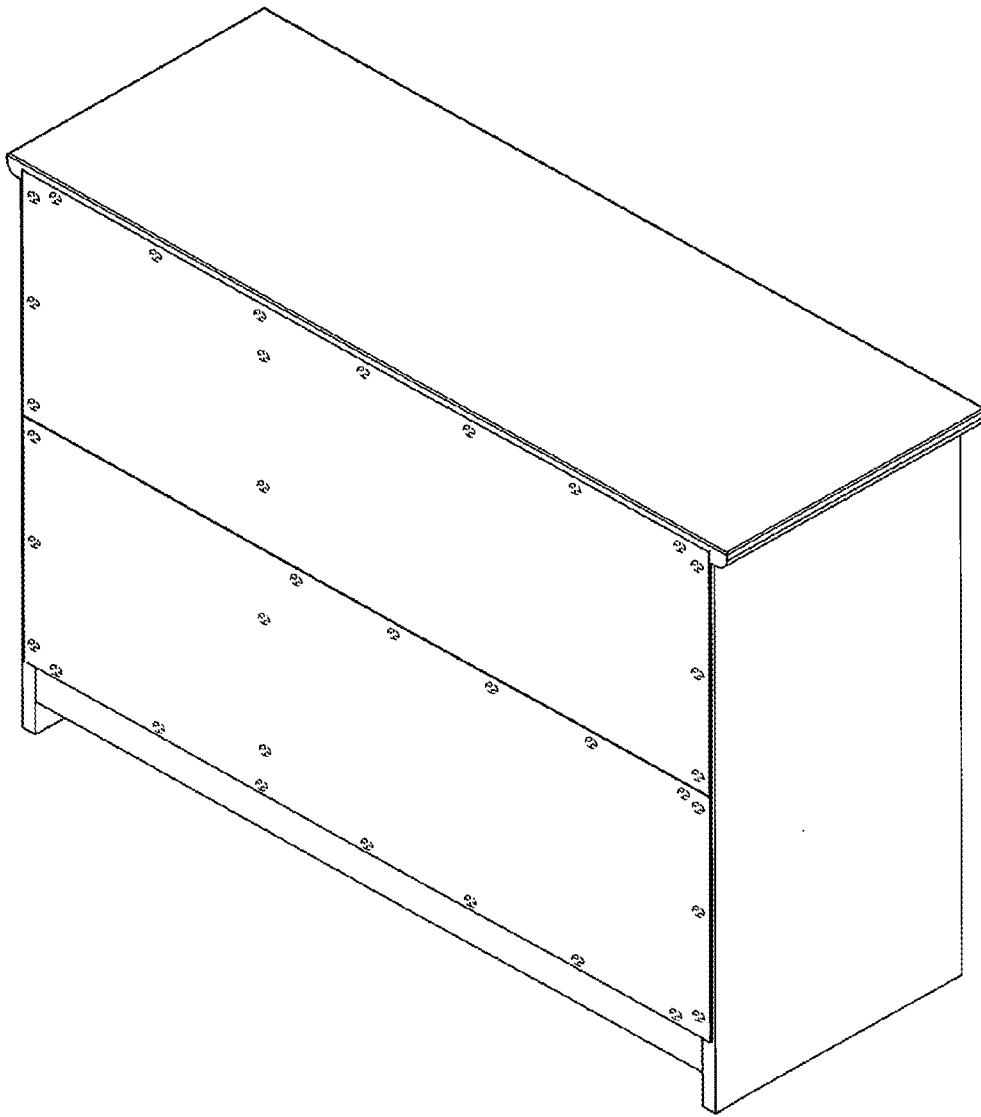


FIG. 10