



US00D722899S

(12) **United States Design Patent**
Hofmann et al.

(10) **Patent No.:** **US D722,899 S**

(45) **Date of Patent:** **** Feb. 24, 2015**

(54) **DIAGNOSTIC SYSTEM**

(71) Applicant: **Robert Bosch GmbH**, Stuttgart (DE)

(72) Inventors: **Claudia Hofmann**, Munich (DE);
Wolfgang Seifert, Wielenbach (DE)

(73) Assignee: **Robert Bosch GmbH**, Stuttgart (DE)

(**) Term: **14 Years**

(21) Appl. No.: **29/465,710**

(22) Filed: **Aug. 30, 2013**

(30) **Foreign Application Priority Data**

Aug. 19, 2013 (DE) 002293324

(51) **LOC (10) Cl.** **10-05**

(52) **U.S. Cl.**

USPC **D10/75**; D10/78

(58) **Field of Classification Search**

CPC .. G07C 5/008; G07C 5/0808; G07C 2205/02;
G01D 5/00; G06F 1/166; G06F 1/1656;
G06F 1/1626; G06F 1/1609; G06F 1/637;
G06F 3/03547; G01M 17/00; G01R 31/007;
G01R 31/3648; G01R 31/3693; G01R 31/3627
USPC D10/75, 78; 73/114.01, 114.58;
123/520; 174/50, 650; 191/12 R;
235/462.15; 324/402, 538, 503;
340/439, 933; 701/29.1-34.4,
701/101-103; 702/57

See application file for complete search history.

(56) **References Cited**

U.S. PATENT DOCUMENTS

D299,345 S *	1/1989	Foy et al.	D14/307
D329,390 S *	9/1992	Alfonso et al.	D10/75
D329,819 S *	9/1992	Bottcher et al.	D10/75
D334,894 S *	4/1993	Timm	D10/75
5,245,324 A *	9/1993	Jonker et al.	345/440.1
5,295,073 A *	3/1994	Celette	701/32.5
6,287,519 B1 *	9/2001	Nordman et al.	422/94
D617,461 S *	6/2010	Kaushal et al.	D24/169

* cited by examiner

Primary Examiner — Antoine D Davis

(74) *Attorney, Agent, or Firm* — Maginot, Moore & Beck LLP

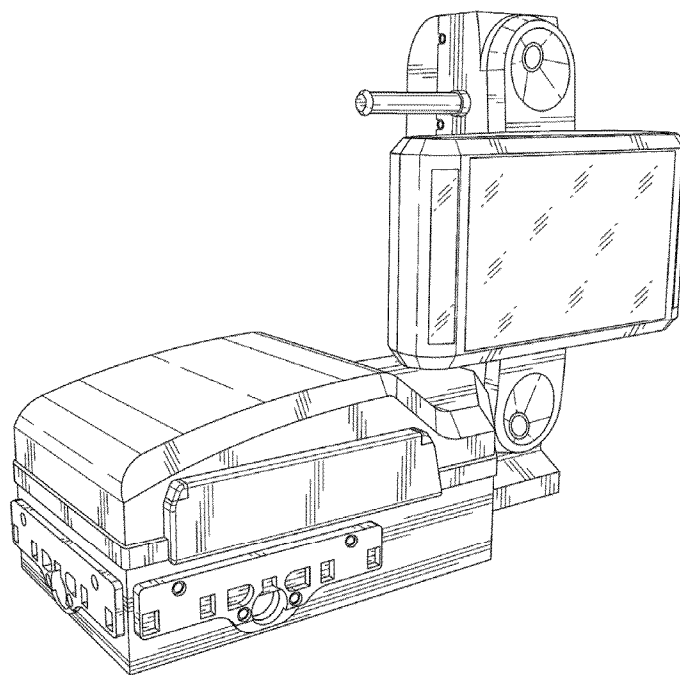
(57) **CLAIM**

The ornamental design for a diagnostic system, as shown and described.

DESCRIPTION

FIG. 1 is a perspective view of a diagnostic system showing our new design;
FIG. 2 is right side elevational view showing the design for the diagnostic system of FIG. 1;
FIG. 3 is a left side elevational view showing the design for the diagnostic system of FIG. 1;
FIG. 4 is a front elevational view showing the design for the diagnostic system of FIG. 1;
FIG. 5 is a rear elevational view showing the design for the diagnostic system of FIG. 1; and,
FIG. 6 is a top elevational view showing the design for the diagnostic system of FIG. 1.

1 Claim, 6 Drawing Sheets



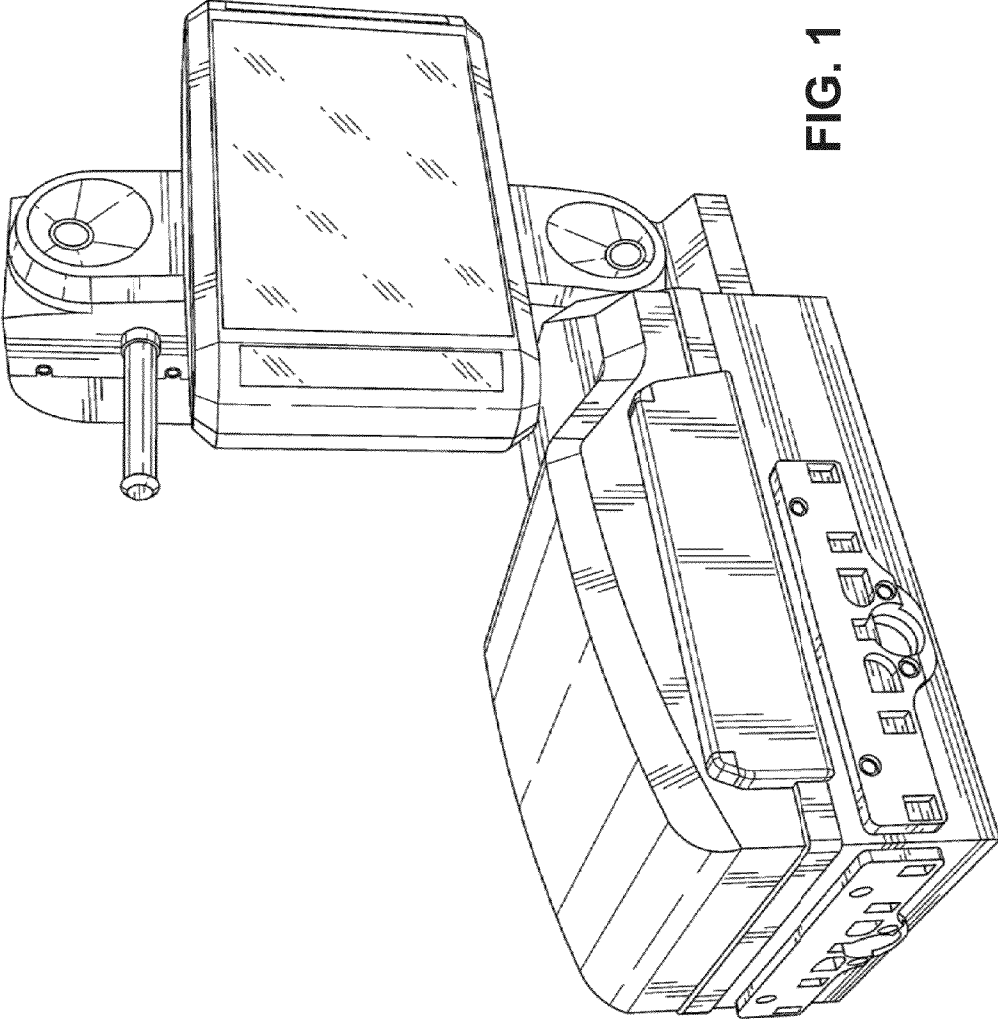


FIG. 1

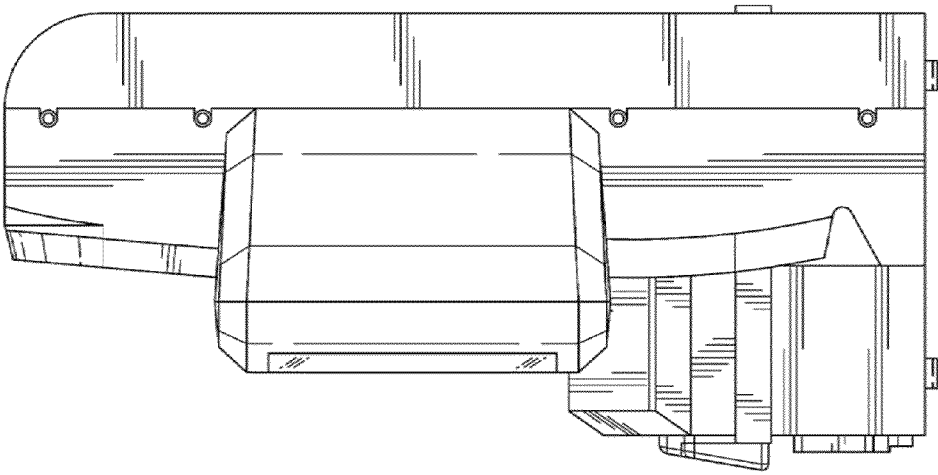


FIG. 2

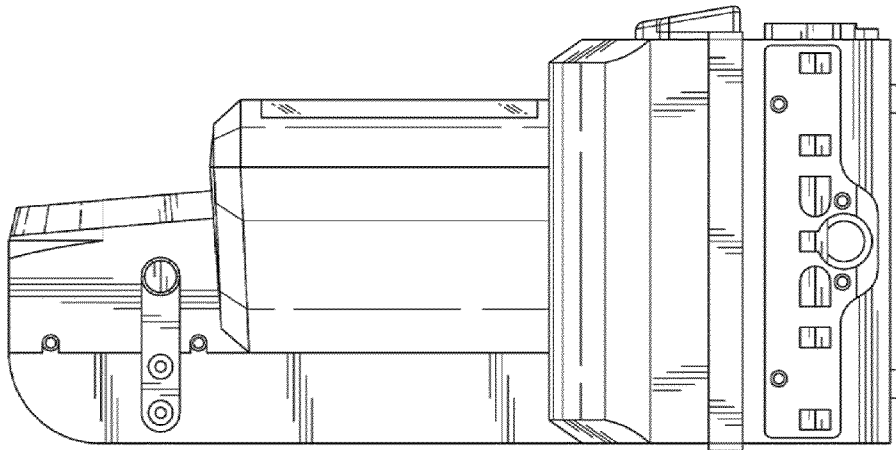


FIG. 3

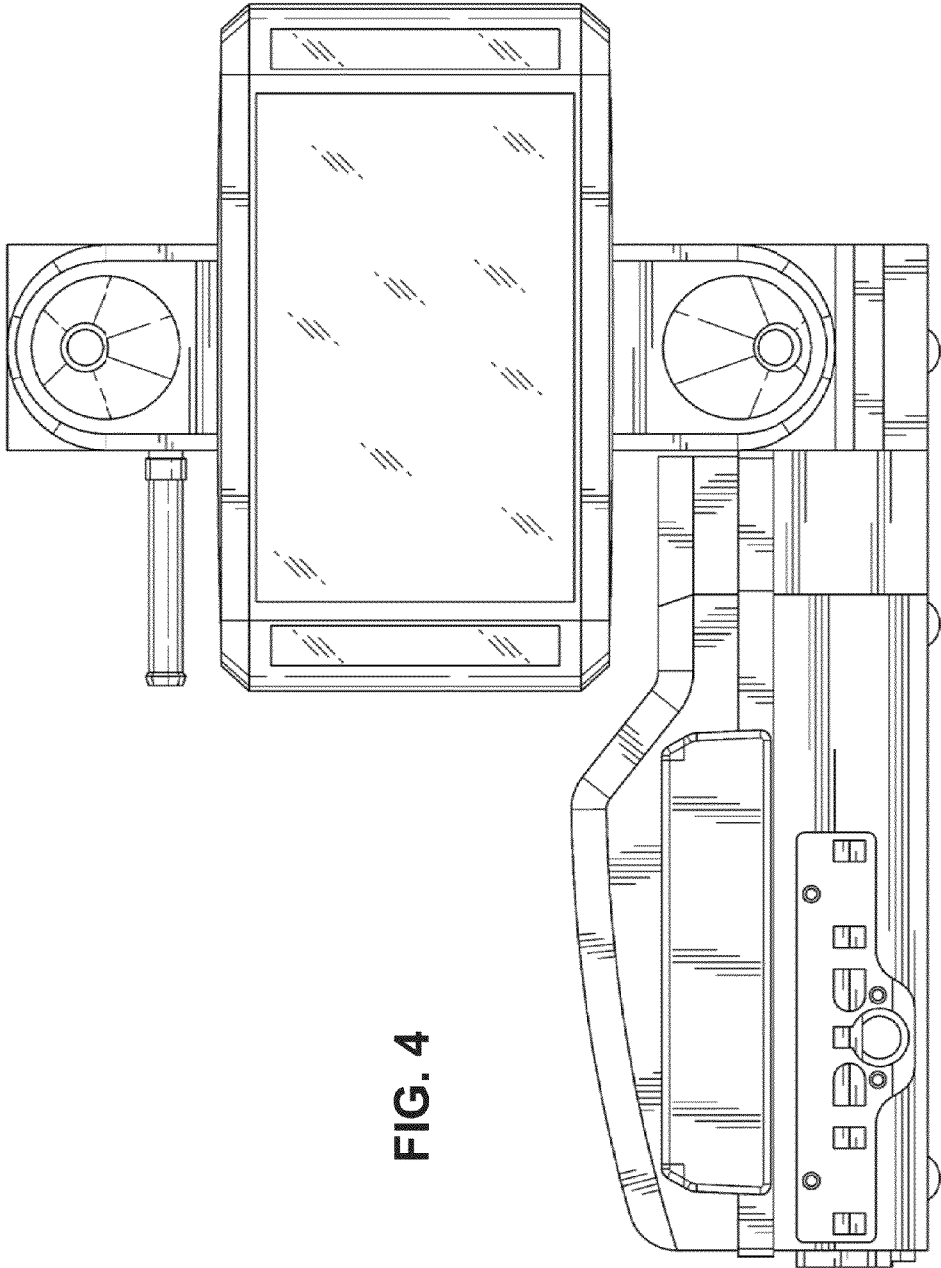
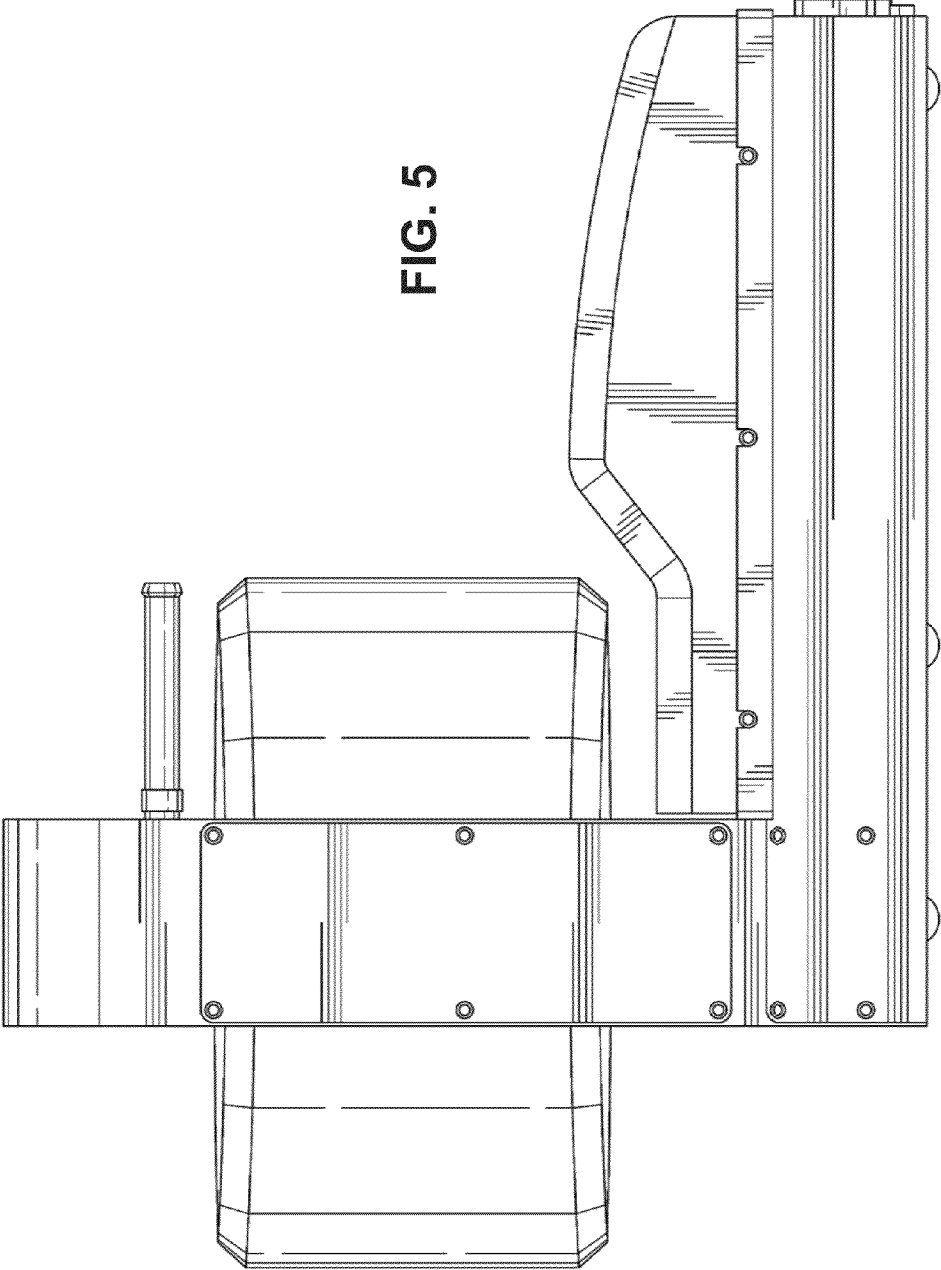


FIG. 4

FIG. 5



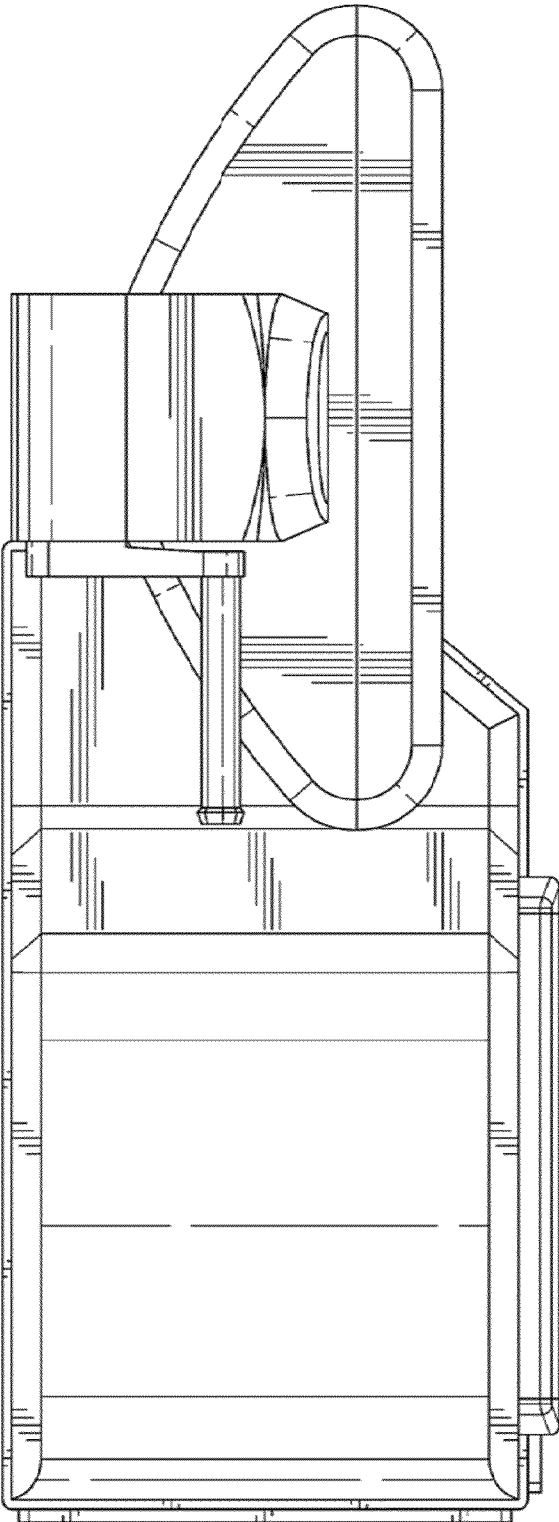


FIG. 6