



US00D764267S

(12) **United States Design Patent**  
**Hutter, III**

(10) **Patent No.:** **US D764,267 S**

(45) **Date of Patent:** **\*\* Aug. 23, 2016**

(54) **HOLLOW SCREW**  
(71) Applicant: **Physical Systems, Inc.**, Carson City, NV (US)  
(72) Inventor: **Charles G. Hutter, III**, Carson City, NV (US)  
(73) Assignee: **Physical Systems, Inc.**, Carson City, NV (US)  
(\*\*) Term: **15 Years**  
(21) Appl. No.: **29/532,513**

D679,988 S \* 4/2013 Yamazaki ..... D8/397  
D707,115 S \* 6/2014 Naoi ..... D8/382  
D713,705 S \* 9/2014 Mina ..... D8/397  
8,931,163 B2 \* 1/2015 Kochheiser ..... B23P 11/00  
29/525.11  
D722,489 S \* 2/2015 Yamazaki ..... D8/387  
D726,531 S \* 4/2015 Muzic ..... D8/387  
2003/0185649 A1 \* 10/2003 Mizuno ..... F16B 35/047  
411/411  
2009/0104001 A1 \* 4/2009 Kochheiser ..... F16B 5/0275  
411/383  
2009/0285651 A1 \* 11/2009 Cooley ..... B29C 45/2618  
411/106  
2012/0315110 A1 \* 12/2012 Levey ..... F16B 31/04  
411/415

(22) Filed: **Jul. 7, 2015**  
(51) **LOC (10) Cl.** ..... **08-08**  
(52) **U.S. Cl.**  
USPC ..... **D8/387**  
(58) **Field of Classification Search**  
USPC ..... D8/382, 387, 349, 391, 392, 393, 499  
CPC ..... F16B 23/0038; F16B 23/0046; F16B  
23/0053; F16B 23/0007; F16B 33/02; F16B  
35/00; F16B 35/04; Y10S 411/919; Y10S  
411/91  
See application file for complete search history.

**FOREIGN PATENT DOCUMENTS**

CN 101363469 A \* 2/2009 ..... F16B 35/04  
CN 201221536 Y \* 4/2009 ..... F16B 35/04  
EP 0370674 B1 \* 2/1993 ..... B23K 11/14  
GB 1552363 A \* 9/1979 ..... F16B 25/0094  
WO 8805991 A3 \* 11/1988 ..... B21J 15/365

\* cited by examiner

*Primary Examiner* — Sheryl Lane  
*Assistant Examiner* — Ieisha Price  
(74) *Attorney, Agent, or Firm* — Lowry Blixseth LLP; Scott M. Lowry

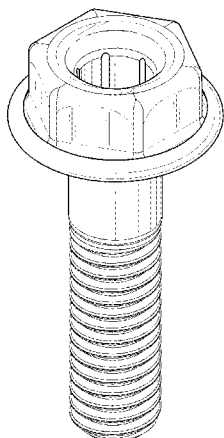
(56) **References Cited**  
**U.S. PATENT DOCUMENTS**  
3,530,760 A \* 9/1970 Lindstrand ..... F16B 25/0047  
411/416  
4,193,434 A \* 3/1980 Wagner ..... F16B 43/00  
411/154  
4,238,165 A \* 12/1980 Wagner ..... F16B 39/26  
403/408.1  
D264,807 S \* 6/1982 Baumgartner ..... D8/387  
4,459,074 A \* 7/1984 Capuano ..... F16B 23/0007  
411/403  
RE33,901 E \* 4/1992 Shinjo ..... B23K 11/14  
411/387.1  
5,913,650 A \* 6/1999 Daoud ..... F16B 23/0038  
220/327  
6,045,312 A \* 4/2000 Hsing ..... F16B 25/0021  
411/399  
D482,957 S \* 12/2003 Lajeunesse ..... D8/387  
D552,977 S \* 10/2007 He ..... D8/387  
D604,600 S \* 11/2009 Lesesky ..... D8/387

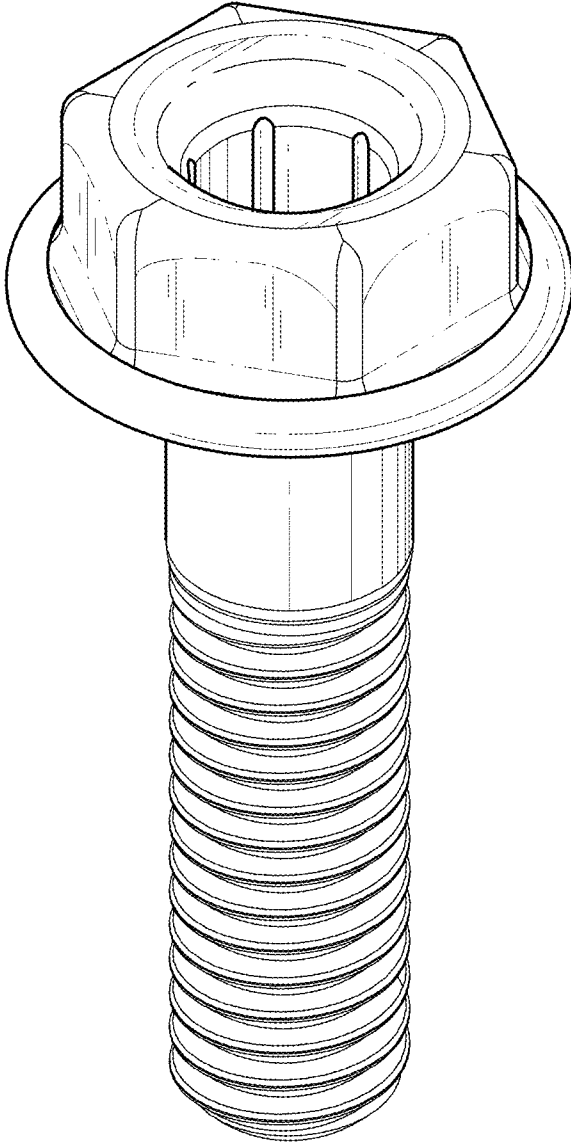
(57) **CLAIM**  
The ornamental design for a hollow screw, as shown and described.

**DESCRIPTION**

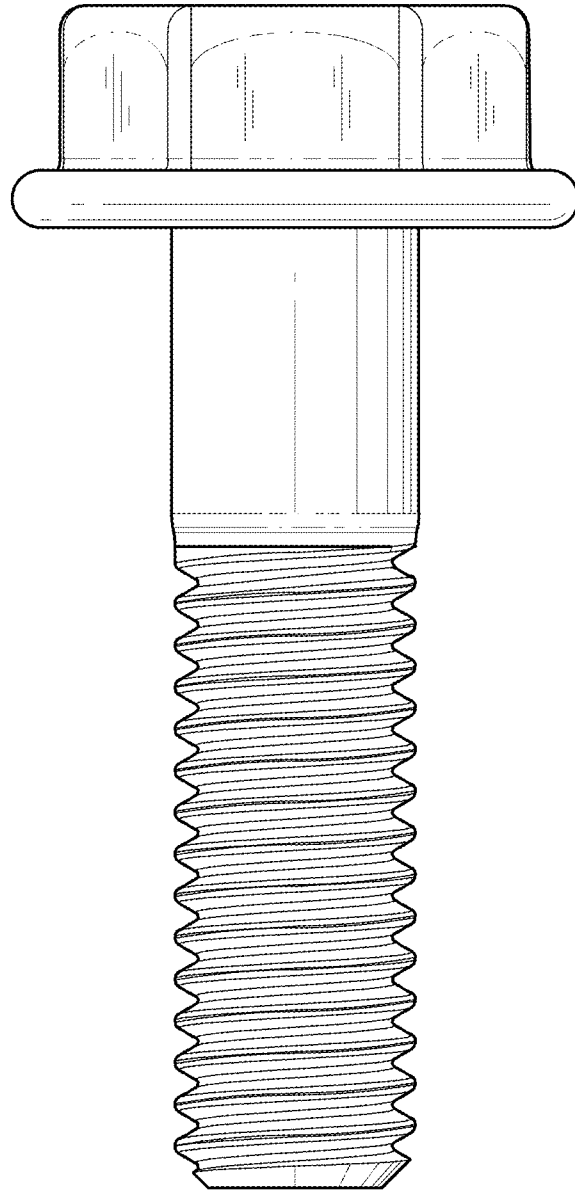
FIG. 1 is a perspective view showing the front, top and left sides of the hollow screw;  
FIG. 2 is a front elevation view of the hollow screw;  
FIG. 3 is a rear elevation view of the hollow screw;  
FIG. 4 is a right side elevation view of the hollow screw;  
FIG. 5 is a left side elevation view of the hollow screw;  
FIG. 6 is a top plan view of the hollow screw; and,  
FIG. 7 is a bottom plan view of the hollow screw.  
The broken lines in the drawings illustrate portions of the hollow screw and form no part of the claimed design.  
The depth of the internal bottom surface of the hollow shaft forms no part of the claimed design.

**1 Claim, 6 Drawing Sheets**

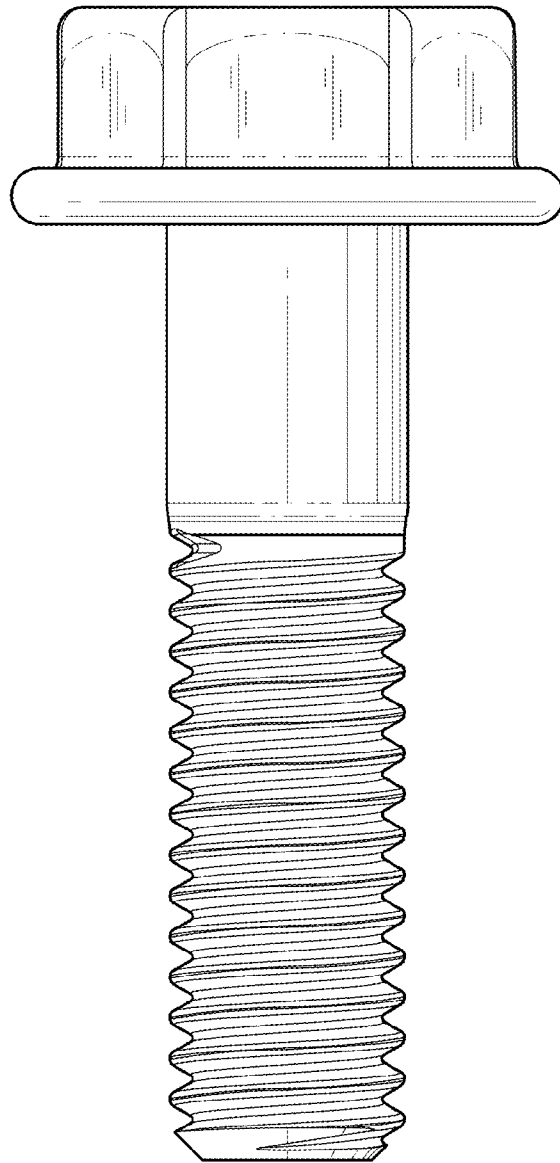




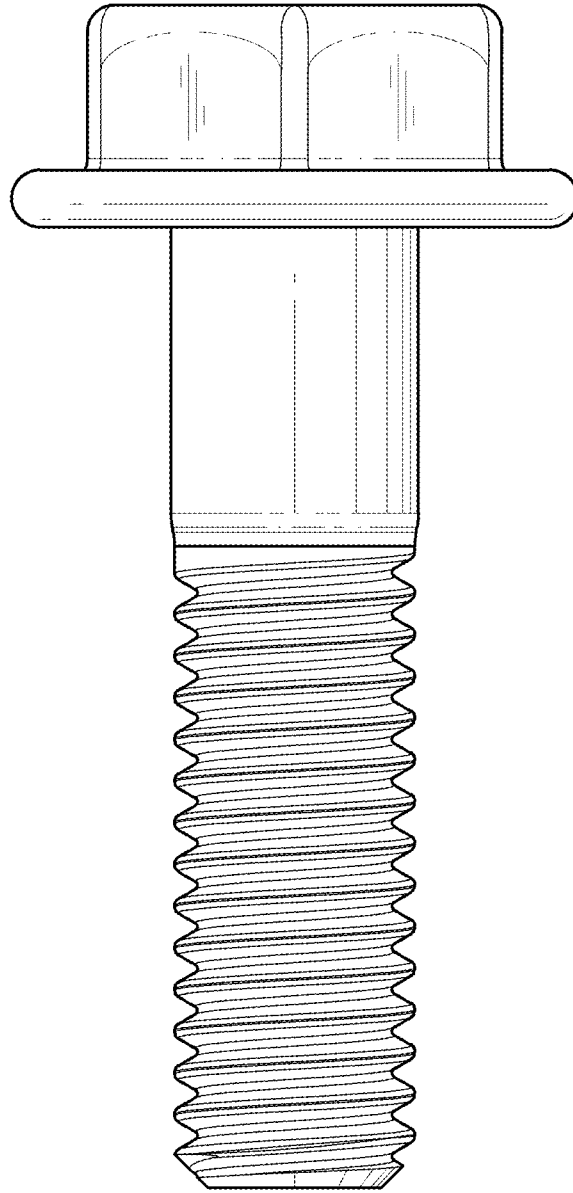
*FIG. 1*



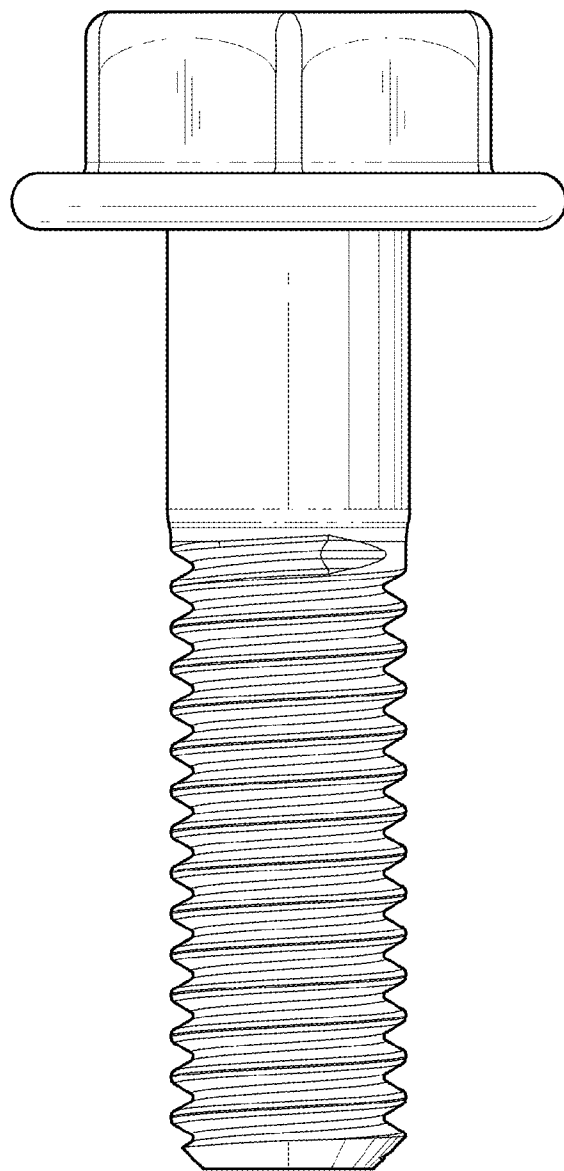
*FIG. 2*



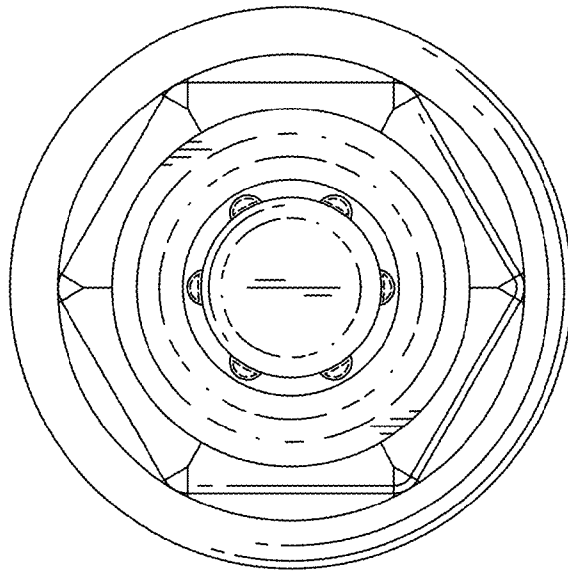
*FIG. 3*



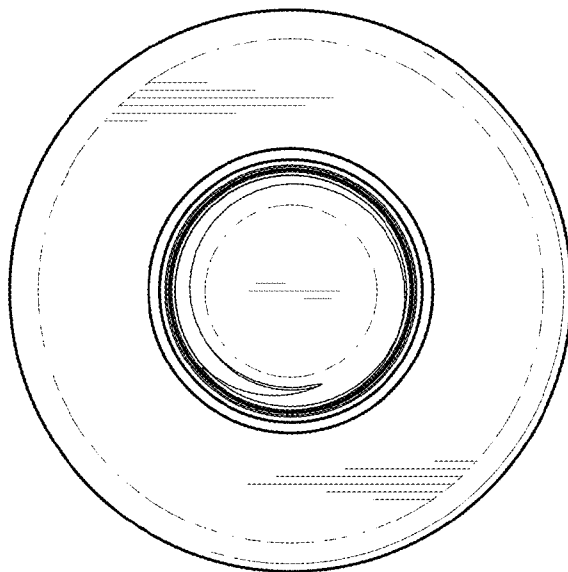
*FIG. 4*



*FIG. 5*



*FIG. 6*



*FIG. 7*