

(19) World Intellectual Property Organization
International Bureau



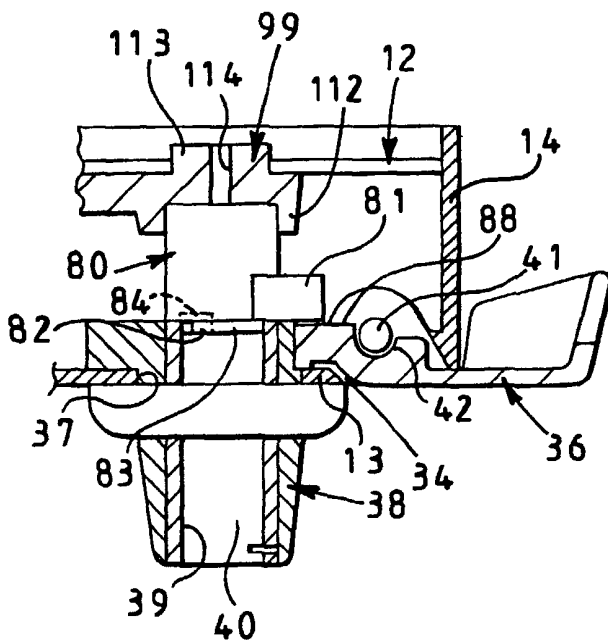
(43) International Publication Date
20 September 2001 (20.09.2001)

PCT

(10) International Publication Number
WO 01/69015 A3

- (51) International Patent Classification⁷: E05B 13/00, 9/08, 63/00
 - (21) International Application Number: PCT/GB01/00735
 - (22) International Filing Date: 22 February 2001 (22.02.2001)
 - (25) Filing Language: English
 - (26) Publication Language: English
 - (30) Priority Data:
0005752.1 11 March 2000 (11.03.2000) GB
 - (71) Applicant (for all designated States except US): BANHAM PATENT LOCKS LIMITED [GB/GB]; 233-235 Kensington High Street, London W8 6SF (GB).
 - (72) Inventor; and
 - (75) Inventor/Applicant (for US only): COWPER, Brian, Edward [GB/GB]; 114 Elm Road, New Malden, Surrey KT3 3HP (GB).
 - (74) Agents: MOSEY, Stephen, George et al.; Marks & Clerk, Alpha Tower, Suffolk Street Queensway, Birmingham B1 1TT (GB).
 - (81) Designated States (national): AE, AG, AL, AM, AT, AU, AZ, BA, BB, BG, BR, BY, BZ, CA, CH, CN, CR, CU, CZ, DE, DK, DM, DZ, EE, ES, FI, GB, GD, GE, GH, GM, HR, HU, ID, IL, IN, IS, JP, KE, KG, KP, KR, KZ, LC, LK, LR, LS, LT, LU, LV, MA, MD, MG, MK, MN, MW, MX, MZ, NO, NZ, PL, PT, RO, RU, SD, SE, SG, SI, SK, SL, TJ, TM, TR, TT, TZ, UA, UG, US, UZ, VN, YU, ZA, ZW.
 - (84) Designated States (regional): ARIPO patent (GH, GM, KE, LS, MW, MZ, SD, SL, SZ, TZ, UG, ZW), Eurasian patent (AM, AZ, BY, KG, KZ, MD, RU, TJ, TM), European patent (AT, BE, CH, CY, DE, DK, ES, FI, FR, GB, GR, IE, IT, LU, MC, NL, PT, SE, TR), OAPI patent (BF, BJ, CF, CG, CI, CM, GA, GN, GW, ML, MR, NE, SN, TD, TG).
- Published:**
— with international search report
- (88) Date of publication of the international search report:
20 December 2001
- For two-letter codes and other abbreviations, refer to the "Guidance Notes on Codes and Abbreviations" appearing at the beginning of each regular issue of the PCT Gazette.*

(54) Title: LOCK



(57) Abstract: A lock for a door (10) comprises a casing (11), a bolt (55) operable to extend from or retract into the casing, a pivoted operating handle (36) operable at one side of the door to retract the bolt, lock means (28) for key operation at the other side of the door, and blocking means (81) to prevent operation of the handle to retract the bolt. In a locked closed position of the door, the bolt (55) is extended, and with the blocking means operated, key operation of the exterior lock means (28) both retracts the bolt and also de-actuates the blocking means. At the inside of the door further key operable lock means (39, 40) are provided solely to operate and, if required, to de-actuate, the blocking means.

WO 01/69015 A3

INTERNATIONAL SEARCH REPORT

International Application No

PCT/GB 01/00735

A. CLASSIFICATION OF SUBJECT MATTER

IPC 7 E05B13/00 E05B9/08 E05B63/00

According to International Patent Classification (IPC) or to both national classification and IPC

B. FIELDS SEARCHED

Minimum documentation searched (classification system followed by classification symbols)

IPC 7 E05B E05C

Documentation searched other than minimum documentation to the extent that such documents are included in the fields searched

Electronic data base consulted during the international search (name of data base and, where practical, search terms used)

EPO-Internal

C. DOCUMENTS CONSIDERED TO BE RELEVANT

Category °	Citation of document, with indication, where appropriate, of the relevant passages	Relevant to claim No.
X	US 4 709 566 A (WILDENRADT CARL H) 1 December 1987 (1987-12-01) column 1, line 16 - line 23 column 3, line 44 - line 57 column 5, line 23 - line 59; figure ---	1, 2, 4-6, 19
X	US 2 651 934 A (ABRAHAM E. CHESLER) 15 September 1953 (1953-09-15) column 3, line 38 - column 5, line 67; figure ---	1-3
X	US 4 563 885 A (MADDEN ROY H) 14 January 1986 (1986-01-14) column 4, line 40 - column 5, line 9; figure --- -/--	1, 19

Further documents are listed in the continuation of box C.

Patent family members are listed in annex.

° Special categories of cited documents :

- *A* document defining the general state of the art which is not considered to be of particular relevance
- *E* earlier document but published on or after the international filing date
- *L* document which may throw doubts on priority claim(s) or which is cited to establish the publication date of another citation or other special reason (as specified)
- *O* document referring to an oral disclosure, use, exhibition or other means
- *P* document published prior to the international filing date but later than the priority date claimed

- *T* later document published after the international filing date or priority date and not in conflict with the application but cited to understand the principle or theory underlying the invention
- *X* document of particular relevance; the claimed invention cannot be considered novel or cannot be considered to involve an inventive step when the document is taken alone
- *Y* document of particular relevance; the claimed invention cannot be considered to involve an inventive step when the document is combined with one or more other such documents, such combination being obvious to a person skilled in the art.
- *&* document member of the same patent family

Date of the actual completion of the international search

7 September 2001

Date of mailing of the international search report

18. 09. 2001

Name and mailing address of the ISA

European Patent Office, P.B. 5818 Patentlaan 2
NL - 2280 HV Rijswijk
Tel. (+31-70) 340-2040, Tx. 31 651 epo nl,
Fax: (+31-70) 340-3016

Authorized officer

Pieracci, A

INTERNATIONAL SEARCH REPORT

I. International Application No

PCT/GB 01/00735

C.(Continuation) DOCUMENTS CONSIDERED TO BE RELEVANT

Category °	Citation of document, with indication, where appropriate, of the relevant passages	Relevant to claim No.
X	US 5 794 467 A (JUSTICE RONNY E) 18 August 1998 (1998-08-18) column 4, line 19 - line 36; figure ---	1-3
A	US 4 732 418 A (CROWN MARLIN D ET AL) 22 March 1988 (1988-03-22) column 2, line 38 - line 47 column 3, line 55 -column 4, line 3; figures 3,4 ---	1,2,4
X	GB 2 268 221 A (PARKES JOSIAH & SONS LTD) 5 January 1994 (1994-01-05) page 5, line 25 -page 7, line 2; figures 3-5 ---	20,30
X	GB 2 142 688 A (BANHAM PATENT LOCKS LTD) 23 January 1985 (1985-01-23) the whole document ---	20,30
X	FR 2 626 307 A (LAPERCHÉ SA) 28 July 1989 (1989-07-28) page 4, line 33 -page 6, line 20; figure -----	20,30

INTERNATIONAL SEARCH REPORT

International application No.
PCT/GB 01/00735

Box I Observations where certain claims were found unsearchable (Continuation of item 1 of first sheet)

This International Search Report has not been established in respect of certain claims under Article 17(2)(a) for the following reasons:

1. Claims Nos.:
because they relate to subject matter not required to be searched by this Authority, namely:

2. Claims Nos.:
because they relate to parts of the International Application that do not comply with the prescribed requirements to such an extent that no meaningful International Search can be carried out, specifically:

3. Claims Nos.:
because they are dependent claims and are not drafted in accordance with the second and third sentences of Rule 6.4(a).

Box II Observations where unity of invention is lacking (Continuation of item 2 of first sheet)

This International Searching Authority found multiple inventions in this international application, as follows:

see additional sheet

1. As all required additional search fees were timely paid by the applicant, this International Search Report covers all searchable claims.
2. As all searchable claims could be searched without effort justifying an additional fee, this Authority did not invite payment of any additional fee.
3. As only some of the required additional search fees were timely paid by the applicant, this International Search Report covers only those claims for which fees were paid, specifically claims Nos.:
4. No required additional search fees were timely paid by the applicant. Consequently, this International Search Report is restricted to the invention first mentioned in the claims; it is covered by claims Nos.:

Remark on Protest

The additional search fees were accompanied by the applicant's protest.

No protest accompanied the payment of additional search fees.

FURTHER INFORMATION CONTINUED FROM PCT/ISA/ 210

This International Searching Authority found multiple (groups of) inventions in this international application, as follows:

1. Claims: 1-19

A lock for a wing where blocking means can be operated on one side of the wing such that retraction of the bolt by the operating member is prevented. Key operation of lock means on the other side of the wing allows retraction of the bolt and deactuation of said blocking means.

2. Claims: 20-31

A lock for a wing with a pivoting operating member on side of the wing to retract the bolt, a pivoting locking member to deadlock the bolt, and an element providing at least parts of bearing surfaces for a pivot of the operating member or of the locking member.

INTERNATIONAL SEARCH REPORT

Information on patent family members

International Application No

PCT/GB 01/00735

Patent document cited in search report	Publication date	Patent family member(s)	Publication date
US 4709566 A	01-12-1987	NONE	
US 2651934 A	15-09-1953	NONE	
US 4563885 A	14-01-1986	NONE	
US 5794467 A	18-08-1998	NONE	
US 4732418 A	22-03-1988	NONE	
GB 2268221 A	05-01-1994	NONE	
GB 2142688 A	23-01-1985	NONE	
FR 2626307 A	28-07-1989	NONE	