

[54] FAUCET

[75] Inventor: Holly K. Yost, Van Nuys, Calif.

[73] Assignee: Price Pfister, Inc., Pacoima, Calif.

[\*\*] Term: 14 Years

[21] Appl. No.: 692,109

[22] Filed: Jan. 17, 1985

[52] U.S. Cl. .... D23/241

[58] Field of Search ..... D23/23-32;  
137/801; 4/191, 192

Domestic Engineering, Mar. 1961, p. 21, "The Langley" item.

Domestic Engineering, May 1983, p. 58, "High-Rise" item.

Domestic Engineering, Jul. 1983, p. 26, "Union Brass" item.

Primary Examiner—James R. Largen

Attorney, Agent, or Firm—Blakely, Sokoloff, Taylor & Zafman

[57] CLAIM

The ornamental design for a faucet, substantially as shown and described.

[56] References Cited

U.S. PATENT DOCUMENTS

D. 207,898	6/1967	Doman	.....	D23/28
D. 211,638	7/1968	Jones et al.	.....	D23/28
D. 213,441	3/1969	Frankel et al.	.....	D23/28
D. 241,843	10/1976	Shamps et al.	.....	D23/28
D. 279,403	6/1985	Doman	.....	D23/28
D. 284,993	8/1986	Yost	.....	D23/25
D. 286,561	11/1986	Yost	.....	D23/25

OTHER PUBLICATIONS

Design News, Oct. 14, 1964, p. 43, H&H advertisement, faucet spout at top right of page.

DESCRIPTION

FIG. 1 is a top plan view of a faucet showing my new design;

FIG. 2 is a front elevational view thereof;

FIG. 3 is a right side elevational view thereof, the left side being a mirror image of the right side shown;

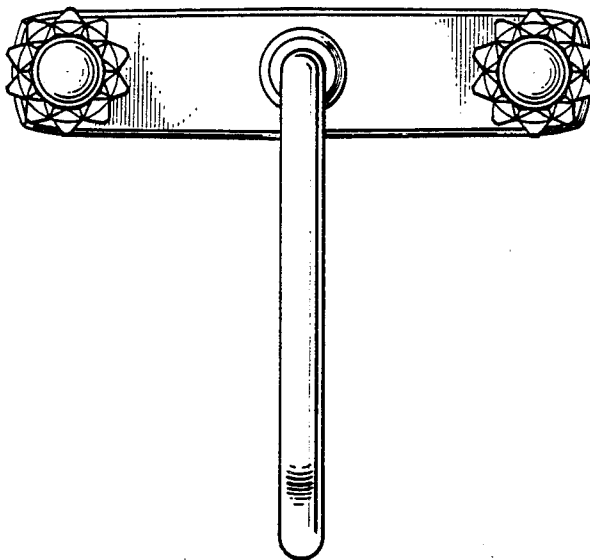
FIG. 4 is a rear elevational view thereof;

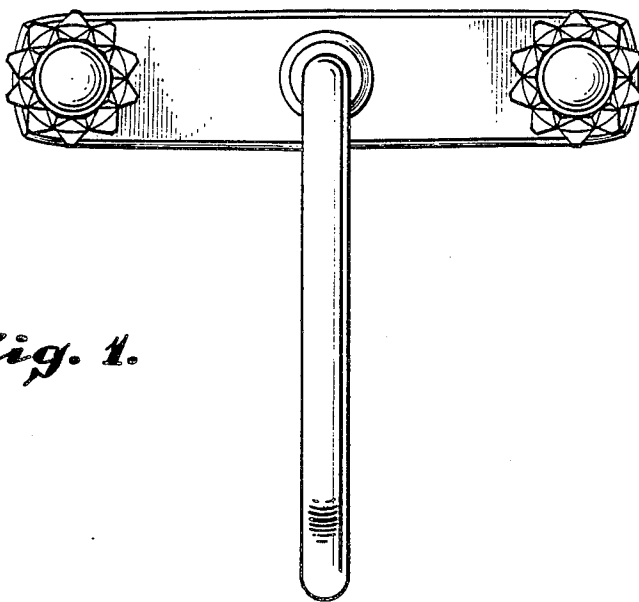
FIG. 5 is a top plan view of a modified form of the faucet shown in FIG. 1;

FIG. 6 is a front elevational view of FIG. 5;

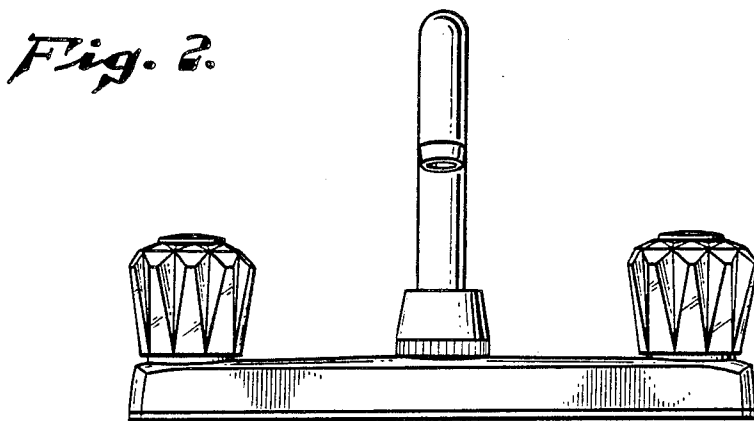
FIG. 7 is a right side elevational view of FIG. 5 the left side being a mirror image of the right side shown; and,

FIG. 8 is a rear elevational view of FIG. 5.



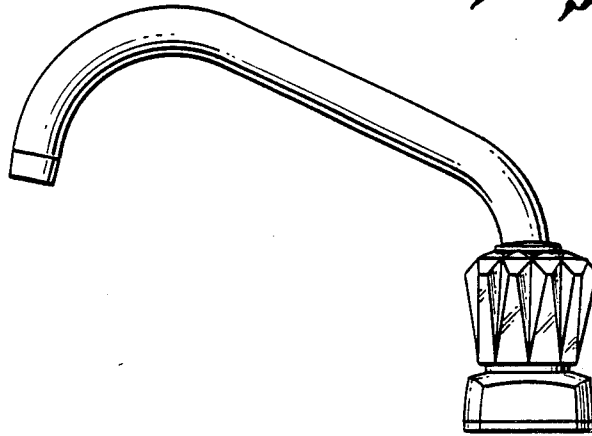


*Fig. 1.*

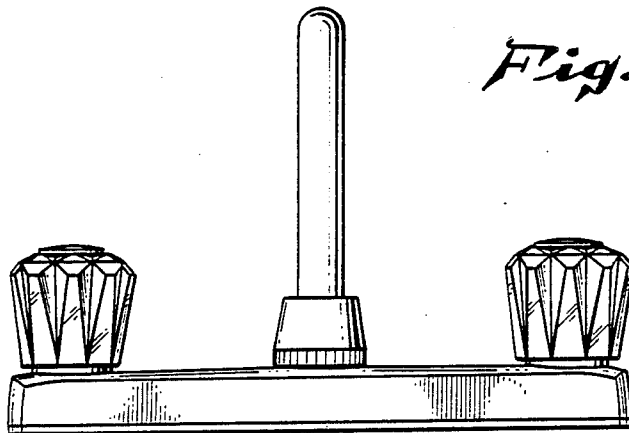


*Fig. 2.*

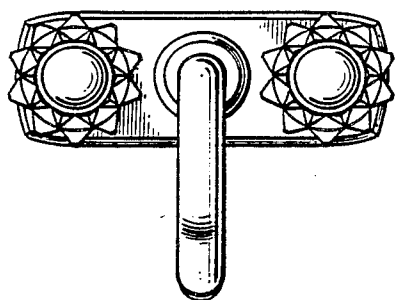
*Fig. 3.*



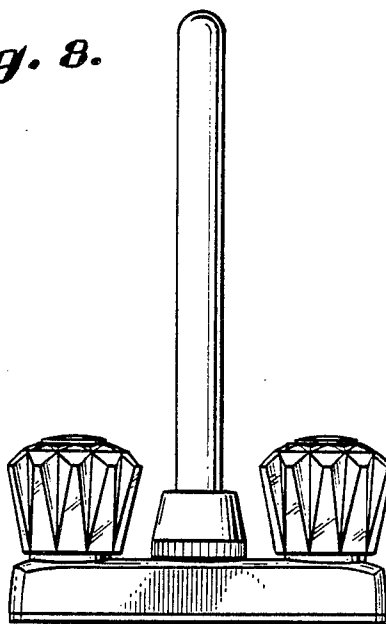
*Fig. 4.*



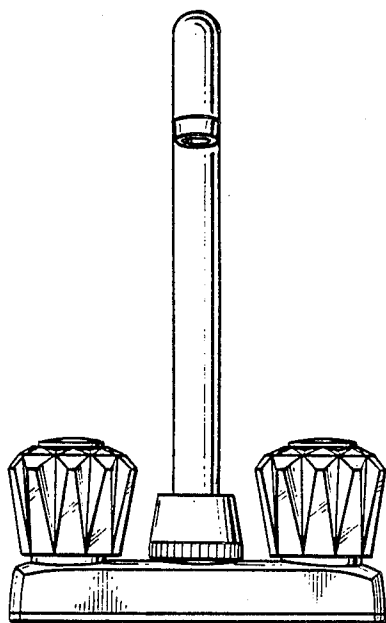
*Fig. 5.*



*Fig. 8.*



*Fig. 6.*



*Fig. 7.*

