



US00D585871S

(12) **United States Design Patent**  
**Lee**

(10) **Patent No.:** **US D585,871 S**

(45) **Date of Patent:** **\*\* Feb. 3, 2009**

(54) **HEADPHONE**

(75) Inventor: **Jong-bae Lee**, Seoul (KR)

(73) Assignee: **Phiaton Corporation**, San Diego, CA (US)

(\*\*) Term: **14 Years**

(21) Appl. No.: **29/300,036**

(22) Filed: **Feb. 13, 2008**

(30) **Foreign Application Priority Data**

Jan. 4, 2008 (KR) ..... 30-2008-0000364

(51) **LOC (9) Cl.** ..... **14-01**

(52) **U.S. Cl.** ..... **D14/205**

(58) **Field of Classification Search** ..... D14/142, D14/188, 192, 205, 206, 223; 181/129-130; 381/309, 380, 381; D29/112; 2/209; 128/857, 128/866; 379/430, 433; 455/575.1, 575.2  
See application file for complete search history.

(56) **References Cited**

**U.S. PATENT DOCUMENTS**

|           |   |   |         |                  |       |           |
|-----------|---|---|---------|------------------|-------|-----------|
| 2,437,049 | A | * | 3/1948  | Salisbury et al. | ..... | 128/866   |
| D229,833  | S | * | 1/1974  | Becker           | ..... | D14/205   |
| D235,210  | S | * | 5/1975  | Hill             | ..... | D14/205   |
| 4,409,442 | A | * | 10/1983 | Kamimura         | ..... | 381/383   |
| D284,859  | S | * | 7/1986  | Okada            | ..... | D14/192   |
| 4,829,571 | A | * | 5/1989  | Kakiuchi et al.  | ..... | 381/309   |
| 5,406,037 | A | * | 4/1995  | Nageno et al.    | ..... | 181/129   |
| D376,598  | S | * | 12/1996 | Hayashi          | ..... | D14/206   |
| D386,181  | S | * | 11/1997 | Fisher           | ..... | D14/205   |
| D394,062  | S | * | 5/1998  | Chun             | ..... | D14/192   |
| D413,413  | S | * | 8/1999  | Dillon et al.    | ..... | D29/112   |
| 6,006,115 | A | * | 12/1999 | Wingate          | ..... | 455/575.2 |
| D430,140  | S | * | 8/2000  | Roman            | ..... | D14/205   |
| D439,574  | S | * | 3/2001  | Katayama         | ..... | D14/156   |
| D444,140  | S | * | 6/2001  | Ishibashi        | ..... | D14/192   |
| D458,597  | S | * | 6/2002  | Davies et al.    | ..... | D14/206   |
| D472,889  | S | * | 4/2003  | Tanaka et al.    | ..... | D14/206   |

|           |    |   |         |                  |       |         |
|-----------|----|---|---------|------------------|-------|---------|
| 6,629,579 | B1 | * | 10/2003 | Hasegawa         | ..... | 181/129 |
| 6,654,966 | B2 | * | 12/2003 | Rolla            | ..... | 2/209   |
| D484,868  | S  | * | 1/2004  | Suzuki           | ..... | D14/205 |
| D508,908  | S  | * | 8/2005  | Chueh            | ..... | D14/205 |
| D510,335  | S  | * | 10/2005 | Suzuki           | ..... | D14/205 |
| D512,708  | S  | * | 12/2005 | Harris et al.    | ..... | D14/205 |
| D514,087  | S  | * | 1/2006  | Wilson et al.    | ..... | D14/206 |
| D517,045  | S  | * | 3/2006  | Komiyama         | ..... | D14/205 |
| D532,407  | S  | * | 11/2006 | Motoishi         | ..... | D14/205 |
| 7,172,052 | B2 | * | 2/2007  | Lenhard-Backhaus | ..... | 181/129 |
| D538,261  | S  | * | 3/2007  | Taylor et al.    | ..... | D14/205 |
| D539,267  | S  | * | 3/2007  | Komiyama         | ..... | D14/205 |
| D540,301  | S  | * | 4/2007  | Obata            | ..... | D14/205 |
| D540,302  | S  | * | 4/2007  | Hagiwara et al.  | ..... | D14/205 |
| D541,255  | S  | * | 4/2007  | Taylor et al.    | ..... | D14/205 |
| D549,688  | S  | * | 8/2007  | Suzuki           | ..... | D14/205 |
| D552,077  | S  | * | 10/2007 | Brunner et al.   | ..... | D14/205 |
| D557,684  | S  | * | 12/2007 | Pundsack et al.  | ..... | D14/205 |
| D573,581  | S  | * | 7/2008  | Gondo et al.     | ..... | D14/205 |

\* cited by examiner

*Primary Examiner*—Paula Greene

(74) *Attorney, Agent, or Firm*—Dickstein Shapiro LLP

(57) **CLAIM**

The ornamental design for a headphone, as shown and described.

**DESCRIPTION**

FIG. 1 is a perspective view of a headphone of the claimed design.

FIG. 2 is a front elevation view of the headphone of FIG. 1.

FIG. 3 is a rear elevation view of the headphone of FIG. 1.

FIG. 4 is a left side elevation view of the headphone of FIG. 1.

FIG. 5 is a right side elevation view of the headphone of FIG. 1.

FIG. 6 is a top plan view of the headphone of FIG. 1; and,

FIG. 7 is a bottom plan view of the headphone of FIG. 1.

**1 Claim, 7 Drawing Sheets**

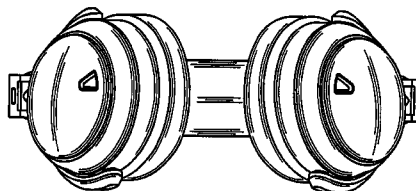
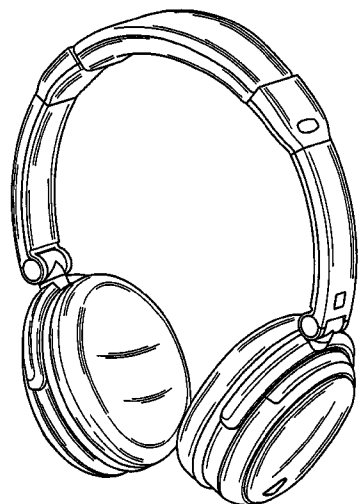


Fig. 1

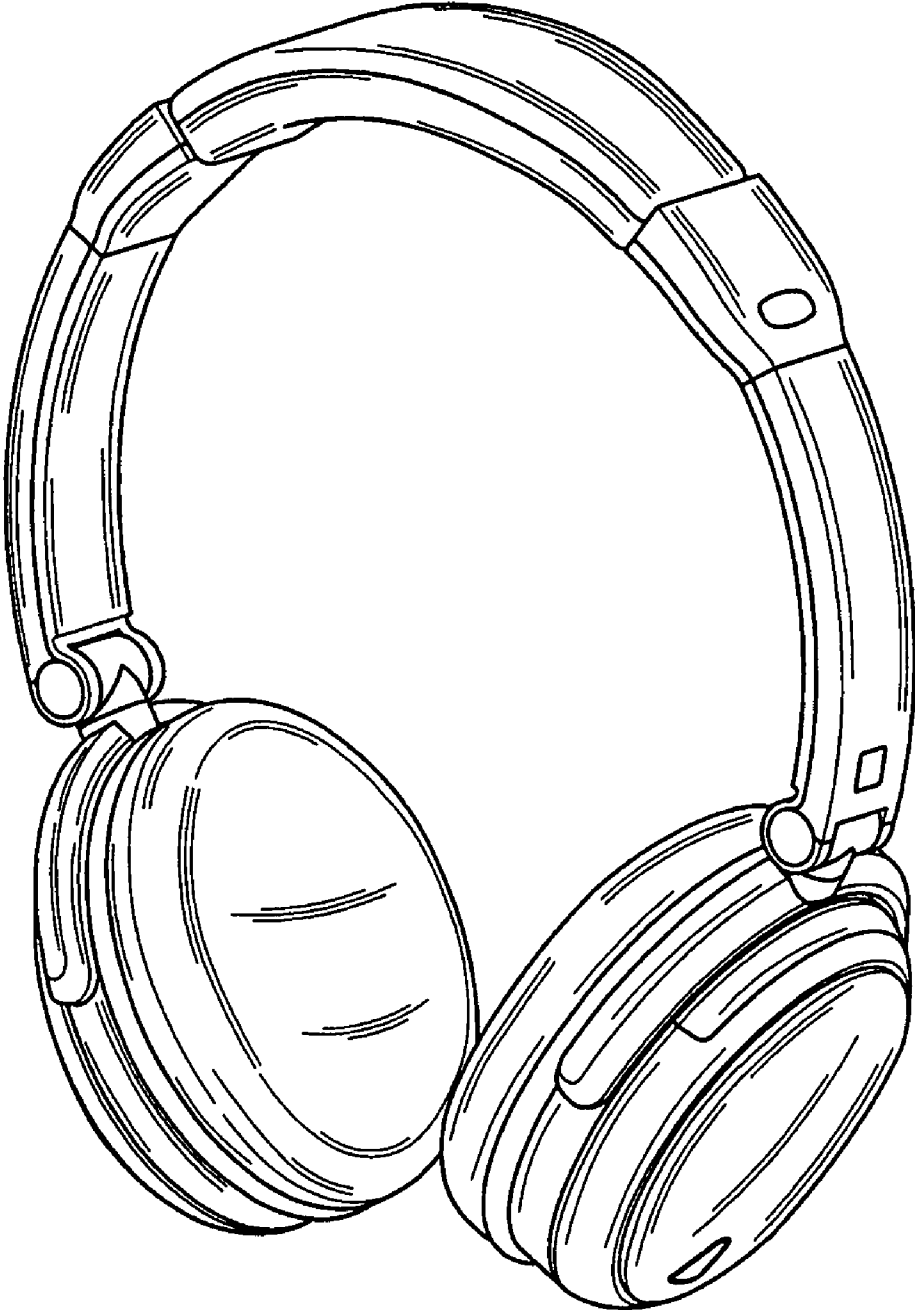


Fig. 2

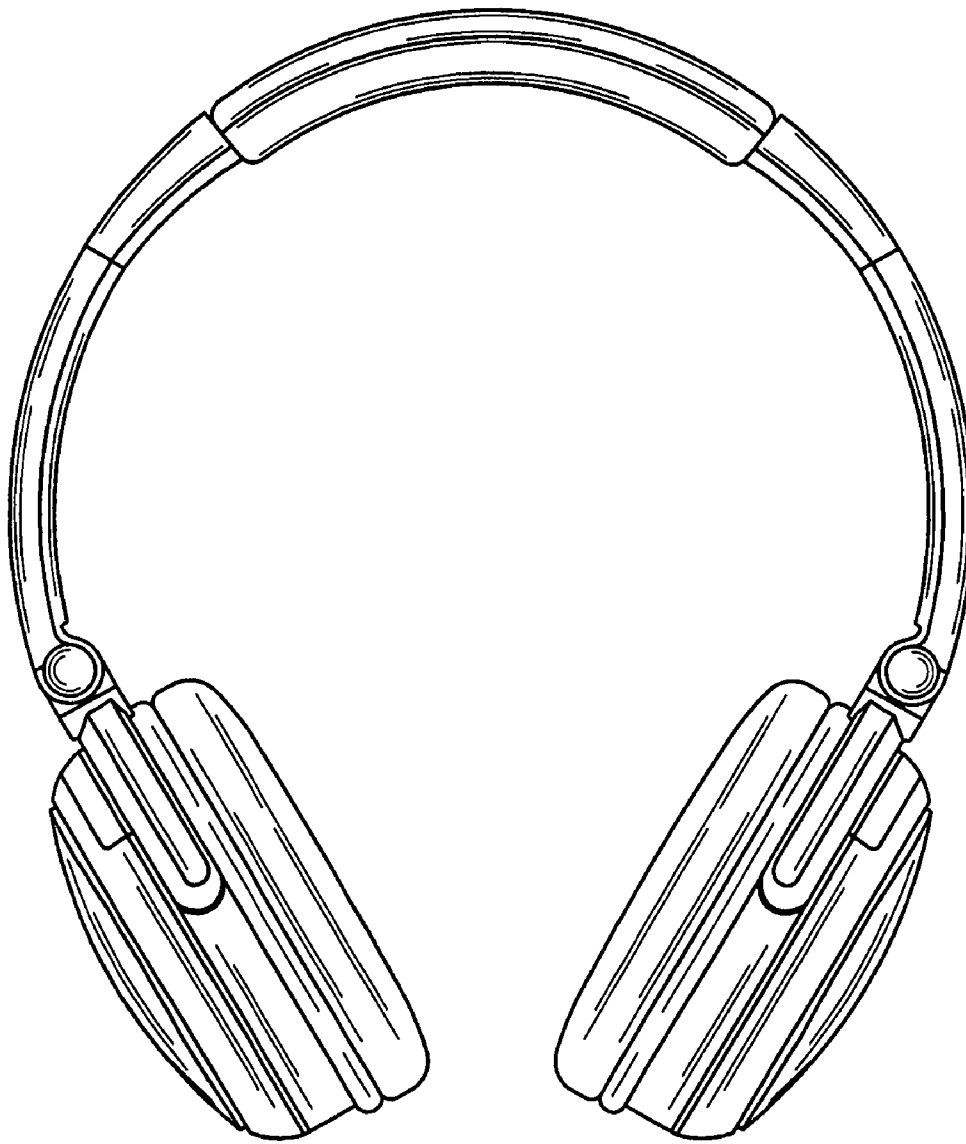


Fig. 3



Fig. 4

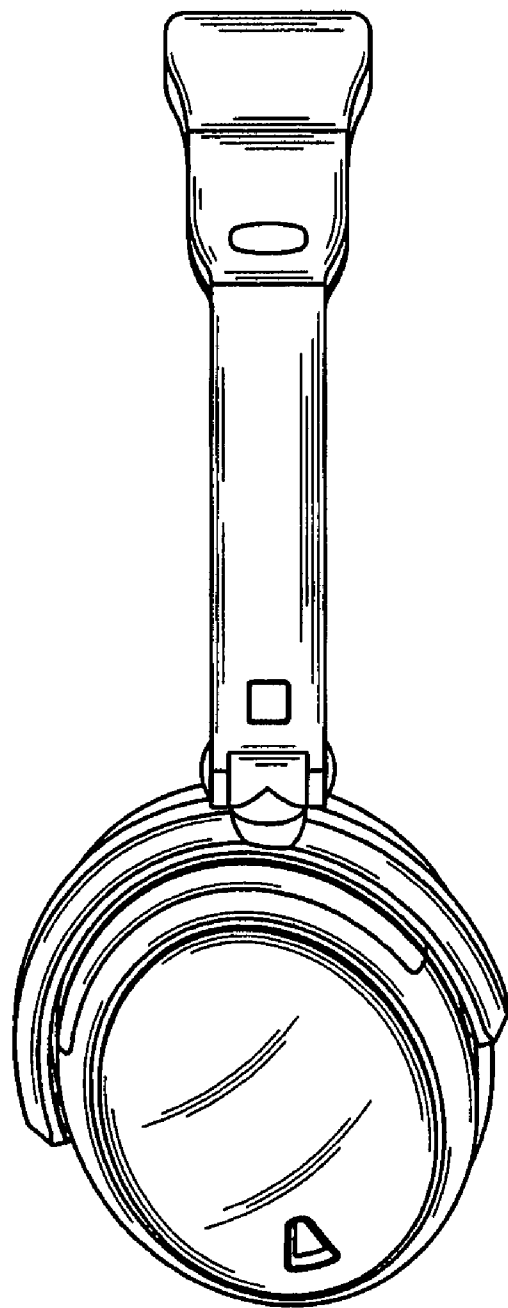


Fig. 5

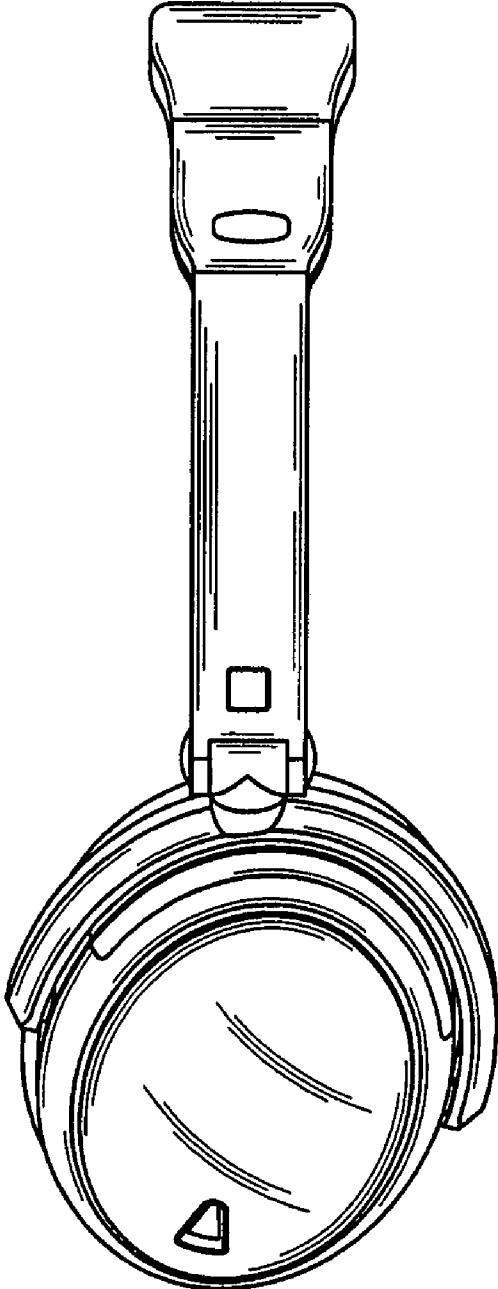


Fig. 6

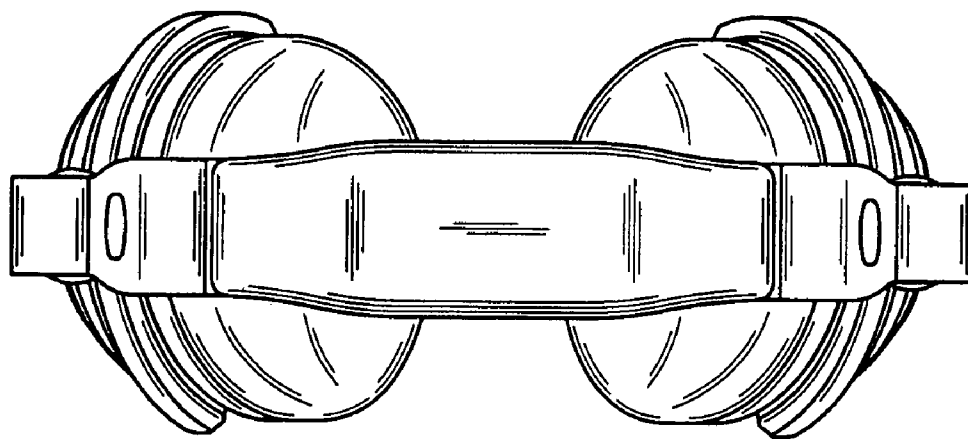


Fig. 7

