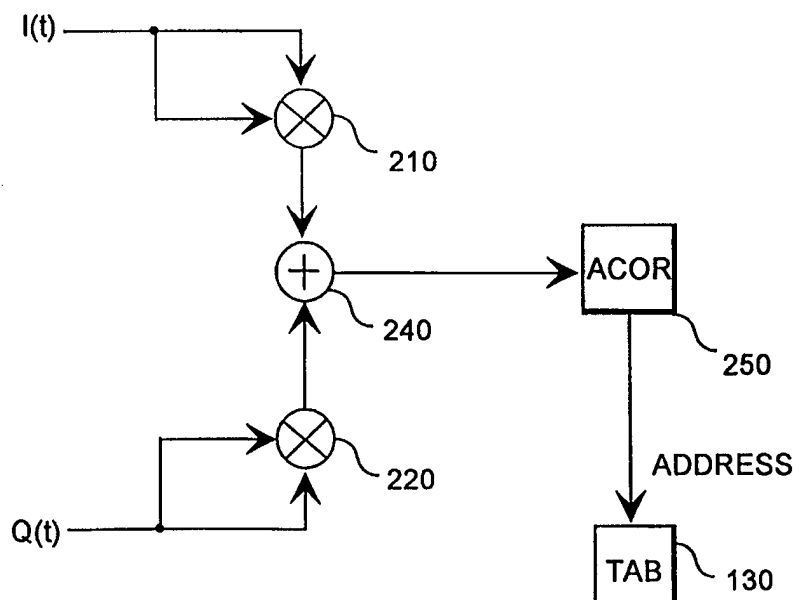




INTERNATIONAL APPLICATION PUBLISHED UNDER THE PATENT COOPERATION TREATY (PCT)

<p>(51) International Patent Classification ⁶ : H04B 1/62</p>	<p>A3</p>	<p>(11) International Publication Number: WO 98/42082</p> <p>(43) International Publication Date: 24 September 1998 (24.09.98)</p>
<p>(21) International Application Number: PCT/FI98/00225</p> <p>(22) International Filing Date: 13 March 1998 (13.03.98)</p> <p>(30) Priority Data: 971121 17 March 1997 (17.03.97) FI</p> <p>(71) Applicant (for all designated States except US): NOKIA TELECOMMUNICATIONS OY [FI/FI]; Keilalahdentie 4, FIN-02150 Espoo (FI).</p> <p>(72) Inventor; and (75) Inventor/Applicant (for US only): TAPIO, Olli [FI/FI]; Kumpulie 33 as. 8, FIN-90940 Jääli (FI).</p> <p>(74) Agent: PATENTTITOIMISTO TEKNOPOLIS KOLSTER OY; c/o Kolster Oy Ab, Iso Roobertinkatu 23, P.O. Box 148, FIN-00121 Helsinki (FI).</p>	<p>(81) Designated States: AL, AM, AT, AU, AZ, BA, BB, BG, BR, BY, CA, CH, CN, CU, CZ, DE, DK, EE, ES, FI, GB, GE, GH, GM, GW, HU, ID, IL, IS, JP, KE, KG, KP, KR, KZ, LC, LK, LR, LS, LT, LU, LV, MD, MG, MK, MN, MW, MX, NO, NZ, PL, PT, RO, RU, SD, SE, SG, SI, SK, SL, TJ, TM, TR, TT, UA, UG, US, UZ, VN, YU, ZW, ARIPO patent (GH, GM, KE, LS, MW, SD, SZ, UG, ZW), Eurasian patent (AM, AZ, BY, KG, KZ, MD, RU, TJ, TM), European patent (AT, BE, CH, DE, DK, ES, FI, FR, GB, GR, IE, IT, LU, MC, NL, PT, SE), OAPI patent (BF, BJ, CF, CG, CI, CM, GA, GN, ML, MR, NE, SN, TD, TG).</p> <p>Published <i>With international search report. Before the expiration of the time limit for amending the claims and to be republished in the event of the receipt of amendments. In English translation (filed in Finnish).</i></p> <p>(88) Date of publication of the international search report: 3 December 1998 (03.12.98)</p>	

(54) Title: METHOD AND ARRANGEMENT FOR FORMING AN ADDRESS



(57) Abstract

The invention relates to a method and arrangement for forming an address, the arrangement being used for forming a corrector table (130) address employed in signal predistortion that is used for compensating for signal distortions. The distortions are compensated for by means of corrector coefficients placed in the corrector table (130), the corrector coefficient being retrieved from the table on the basis of the address. The arrangement comprises calculation means (210, 220) that, on the basis of the received signal, calculate a result corresponding to the squaring of the received signal. The arrangement further comprises summing means (240) that, if required, sum up the results corresponding to the squaring, the sum forming a base address. The arrangement further comprises address correction means (250) that correct the above calculated base address by means of an address correction value.

FOR THE PURPOSES OF INFORMATION ONLY

Codes used to identify States party to the PCT on the front pages of pamphlets publishing international applications under the PCT.

AL	Albania	ES	Spain	LS	Lesotho	SI	Slovenia
AM	Armenia	FI	Finland	LT	Lithuania	SK	Slovakia
AT	Austria	FR	France	LU	Luxembourg	SN	Senegal
AU	Australia	GA	Gabon	LV	Latvia	SZ	Swaziland
AZ	Azerbaijan	GB	United Kingdom	MC	Monaco	TD	Chad
BA	Bosnia and Herzegovina	GE	Georgia	MD	Republic of Moldova	TG	Togo
BB	Barbados	GH	Ghana	MG	Madagascar	TJ	Tajikistan
BE	Belgium	GN	Guinea	MK	The former Yugoslav Republic of Macedonia	TM	Turkmenistan
BF	Burkina Faso	GR	Greece			TR	Turkey
BG	Bulgaria	HU	Hungary	ML	Mali	TT	Trinidad and Tobago
BJ	Benin	IE	Ireland	MN	Mongolia	UA	Ukraine
BR	Brazil	IL	Israel	MR	Mauritania	UG	Uganda
BY	Belarus	IS	Iceland	MW	Malawi	US	United States of America
CA	Canada	IT	Italy	MX	Mexico	UZ	Uzbekistan
CF	Central African Republic	JP	Japan	NE	Niger	VN	Viet Nam
CG	Congo	KE	Kenya	NL	Netherlands	YU	Yugoslavia
CH	Switzerland	KG	Kyrgyzstan	NO	Norway	ZW	Zimbabwe
CI	Côte d'Ivoire	KP	Democratic People's Republic of Korea	NZ	New Zealand		
CM	Cameroon			PL	Poland		
CN	China	KR	Republic of Korea	PT	Portugal		
CU	Cuba	KZ	Kazakstan	RO	Romania		
CZ	Czech Republic	LC	Saint Lucia	RU	Russian Federation		
DE	Germany	LI	Liechtenstein	SD	Sudan		
DK	Denmark	LK	Sri Lanka	SE	Sweden		
EE	Estonia	LR	Liberia	SG	Singapore		

INTERNATIONAL SEARCH REPORT

International application No.
PCT/FI 98/00225

A. CLASSIFICATION OF SUBJECT MATTER

IPC6: H04B 1/62

According to International Patent Classification (IPC) or to both national classification and IPC

B. FIELDS SEARCHED

Minimum documentation searched (classification system followed by classification symbols)

IPC6: H04B

Documentation searched other than minimum documentation to the extent that such documents are included in the fields searched

SE,DK,FI,NO classes as above

Electronic data base consulted during the international search (name of data base and, where practicable, search terms used)

WPI, EPODOC, JAPIO

C. DOCUMENTS CONSIDERED TO BE RELEVANT

Category*	Citation of document, with indication, where appropriate, of the relevant passages	Relevant to claim No.
X	EP 0240055 A1 (AT&T ENPHILIPS TELECOMMUNICATIEBEDRIJVEN B.V.), 7 October 1987 (07.10.87), claims 1-6 ---	1-17
P,A	WO 9749174 A1 (FRAUNHOFER-GESELLSCHAFT ZUR FÖRDERUNG DER ANGEWANDTEN FORSCHUNG E.V.), 24 December 1997 (24.12.97), abstract ---	1-17
A	Patent Abstracts of Japan, abstract of JP 8-251246 A (MATSUSHITA ELECTRIC IND CO LTD), 27 Sept 1996 (27.09.96) -----	1-17

Further documents are listed in the continuation of Box C. See patent family annex.

* Special categories of cited documents:

- "A" document defining the general state of the art which is not considered to be of particular relevance
- "E" earlier document but published on or after the international filing date
- "I" document which may throw doubts on priority claim(s) or which is cited to establish the publication date of another citation or other special reason (as specified)
- "O" document referring to an oral disclosure, use, exhibition or other means
- "P" document published prior to the international filing date but later than the priority date claimed

- "T" later document published after the international filing date or priority date and not in conflict with the application but cited to understand the principle or theory underlying the invention
- "X" document of particular relevance: the claimed invention cannot be considered novel or cannot be considered to involve an inventive step when the document is taken alone
- "Y" document of particular relevance: the claimed invention cannot be considered to involve an inventive step when the document is combined with one or more other such documents, such combination being obvious to a person skilled in the art
- "&" document member of the same patent family

Date of the actual completion of the international search

24 Sept 1998

Date of mailing of the international search report

02 -10- 1998

Name and mailing address of the ISA/
Swedish Patent Office
Box 5055, S-102 42 STOCKHOLM
Facsimile No. +46 8 666 02 86

Authorized officer

Viktor Skoog
Telephone No. +46 8 782 25 00

INTERNATIONAL SEARCH REPORT

Information on patent family members

International application No.

27/07/98

PCT/FI 98/00225

Patent document cited in search report	Publication date	Patent family member(s)	Publication date
EP 0240055 A1	07/10/87	SE 0240055 T3	
		AU 587156 B	03/08/89
		AU 7072687 A	01/10/87
		CA 1266104 A	20/02/90
		DE 3774311 A	12/12/91
		JP 2515784 B	10/07/96
		JP 62294337 A	21/12/87
		NL 8600815 A	16/10/87
		US 4746902 A	24/05/88

WO 9749174 A1	24/12/97	AU 3339397 A	07/01/98
		DE 19631388 A,C	02/01/98
