



US00D915524S

(12) **United States Design Patent**  
**Cao et al.**

(10) **Patent No.:** **US D915,524 S**  
(45) **Date of Patent:** **\*\* Apr. 6, 2021**

- (54) **SCOOTER**
- (71) Applicant: **Zhejiang Taotao Vehicles Co., Ltd.**,  
Lishui (CN)
- (72) Inventors: **Matao Cao**, Yongkang (CN);  
**Yongxiang Zhu**, Liling (CN); **Jianbing Wu**,  
Chibi (CN); **Hongxia Zhu**, Lishui (CN)
- (73) Assignee: **Zhejiang Taotao Vehicles Co., Ltd.**,  
Lishui (CN)
- (\*\*) Term: **15 Years**
- (21) Appl. No.: **29/682,694**
- (22) Filed: **Mar. 7, 2019**

D750,180 S *	2/2016	Edlauer .....	D21/423
D839,358 S *	1/2019	Cao .....	D21/423
D858,646 S *	9/2019	Yang .....	D21/423
D877,257 S *	3/2020	Cao .....	D21/423
D877,258 S *	3/2020	Cao .....	D21/423
2011/0031711 A1*	2/2011	Grossman .....	B62K 3/002 280/87.041
2019/0263468 A1*	8/2019	Huang .....	B60K 1/04

\* cited by examiner

*Primary Examiner* — Cynthia M. Chin

(74) *Attorney, Agent, or Firm* — Bayramoglu Law Offices LLC

(30) **Foreign Application Priority Data**

Sep. 7, 2018 (CN) ..... 201830504033.9

(51) **LOC (13) Cl.** ..... **21-01**

(52) **U.S. Cl.**  
USPC ..... **D21/423**

(58) **Field of Classification Search**  
USPC ..... D21/419, 421, 423, 760, 765, 771;  
D12/1, 8, 107, 110, 112, 113, 114  
CPC ..... B62K 3/002; B62K 9/00; B62K 2202/00;  
B60Y 2200/126  
See application file for complete search history.

(56) **References Cited**

**U.S. PATENT DOCUMENTS**

D686,674 S *	7/2013	Hadley .....	D21/423
D727,833 S *	4/2015	Talios .....	D12/423

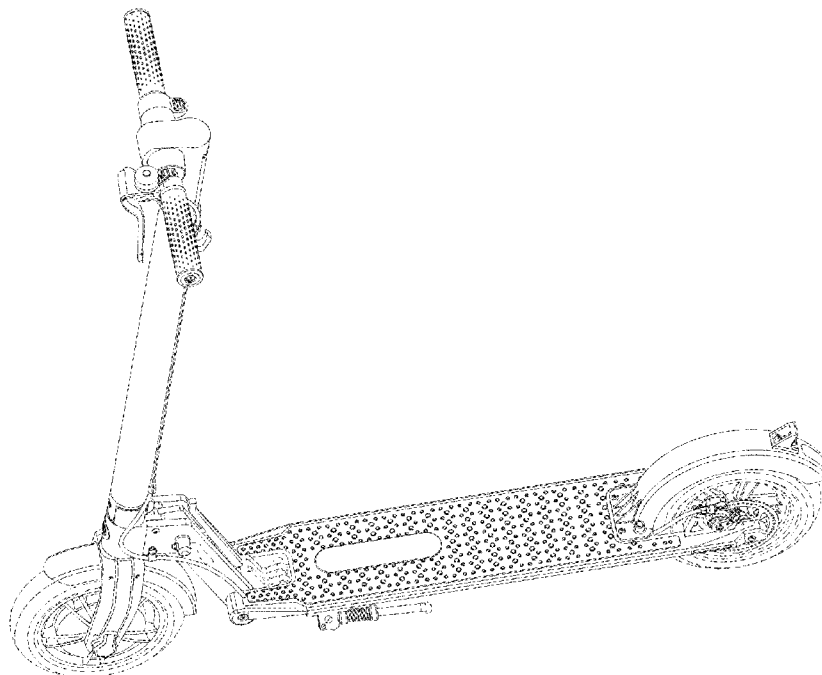
(57) **CLAIM**

The ornamental design for a scooter, as shown and described.

**DESCRIPTION**

FIG. 1 is a perspective view of a scooter according to our new design;  
FIG. 2 is a left side elevation view thereof;  
FIG. 3 is a right side elevation view thereof;  
FIG. 4 is a front elevation view thereof;  
FIG. 5 is a rear elevation view thereof;  
FIG. 6 is a top plan view thereof; and,  
FIG. 7 is a bottom plan view thereof.  
The broken lines in the drawings illustrating portions of the scooter form no part of the claimed design.

**1 Claim, 7 Drawing Sheets**



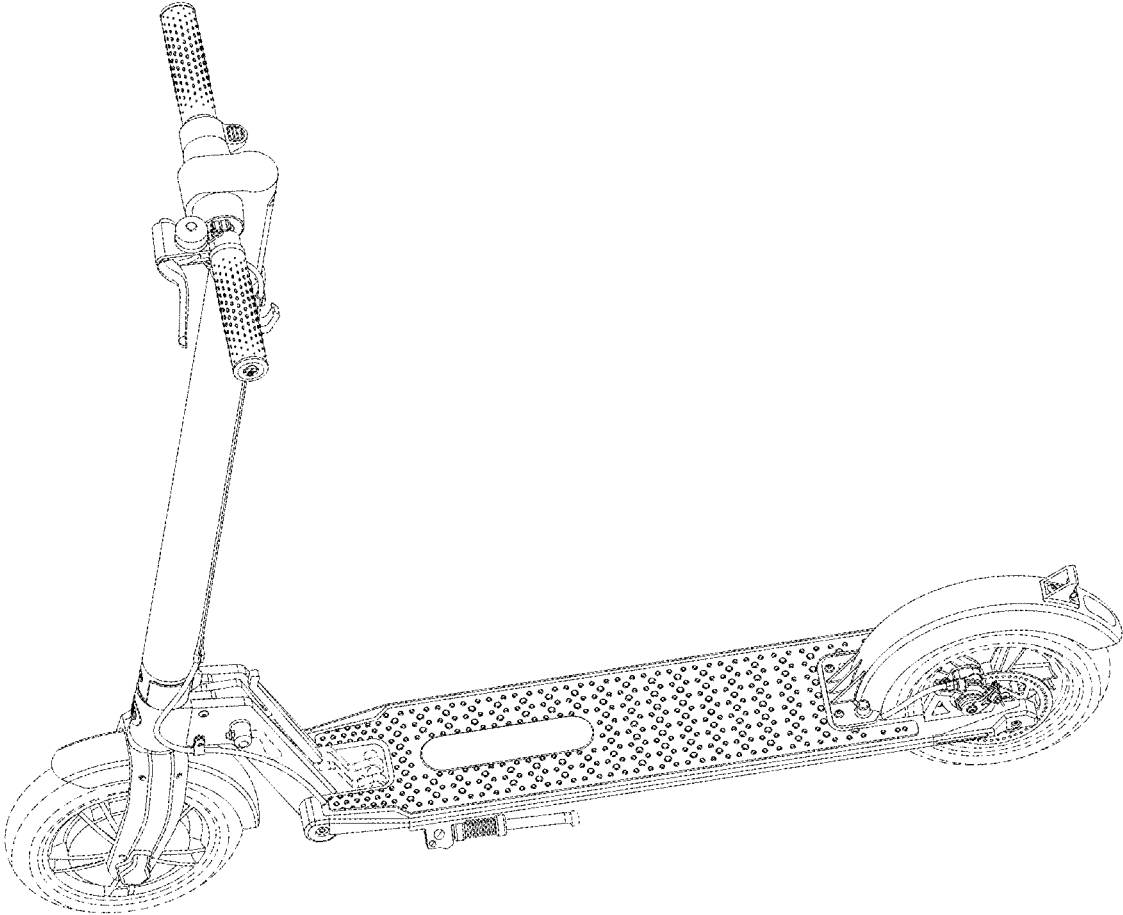


FIG. 1

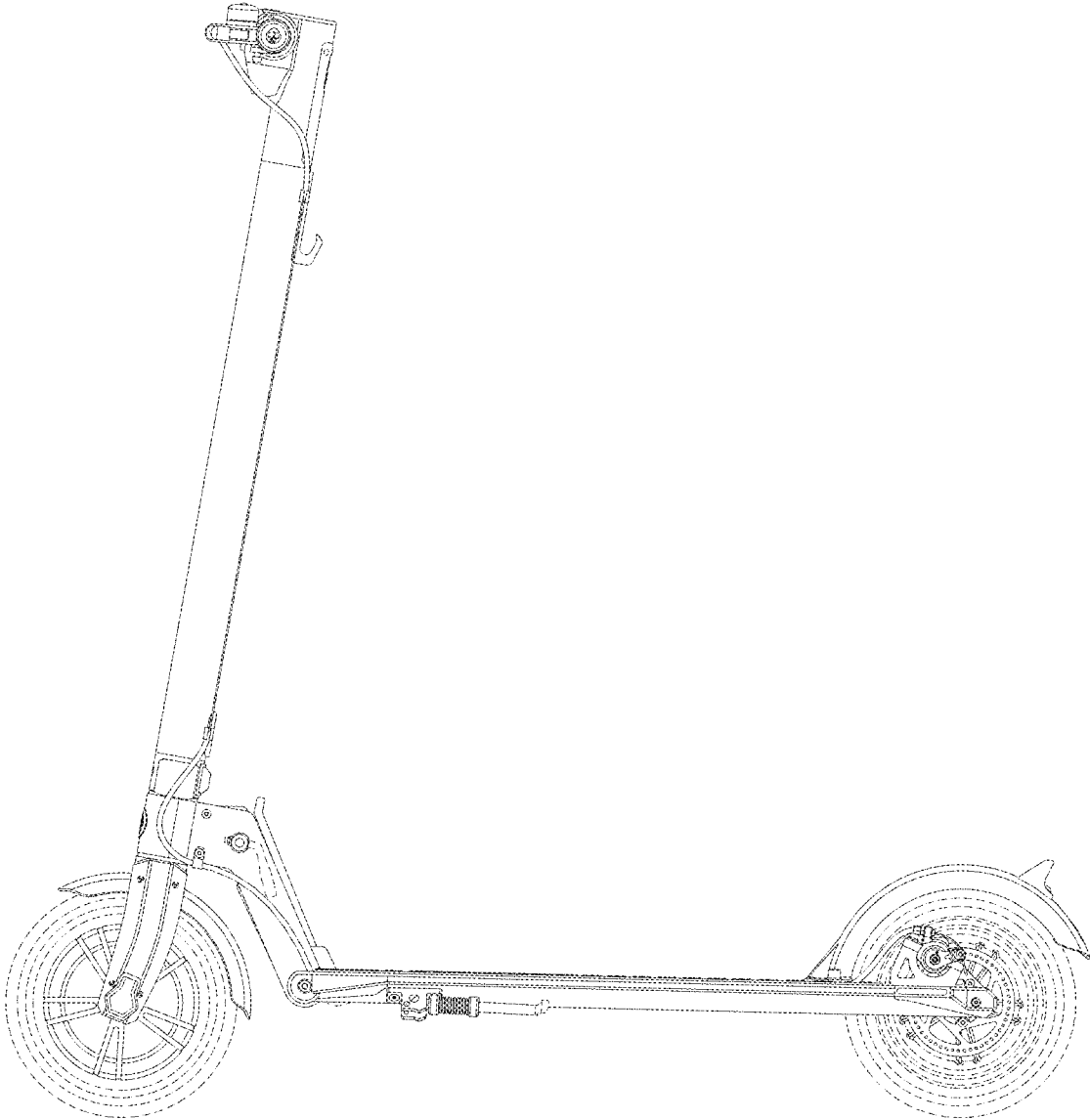


FIG. 2



FIG. 3

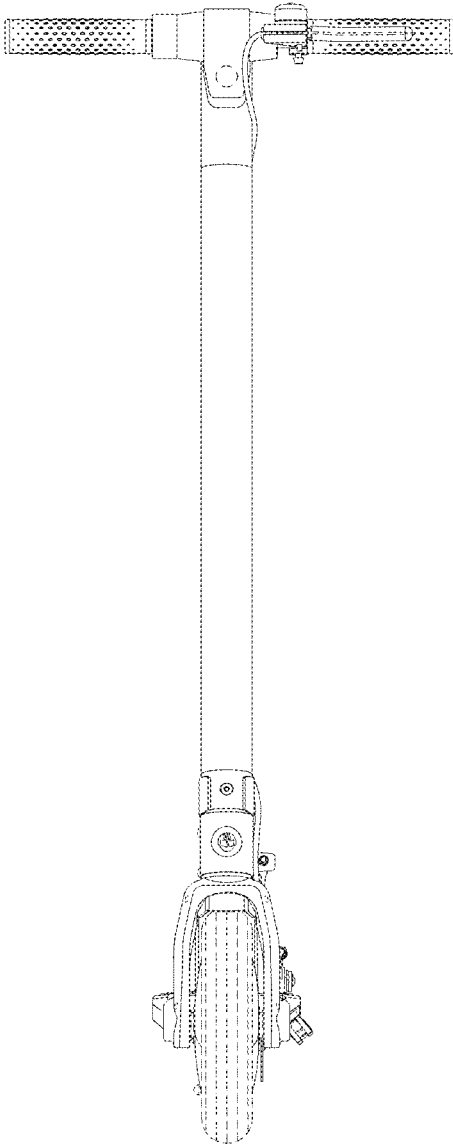


FIG. 4

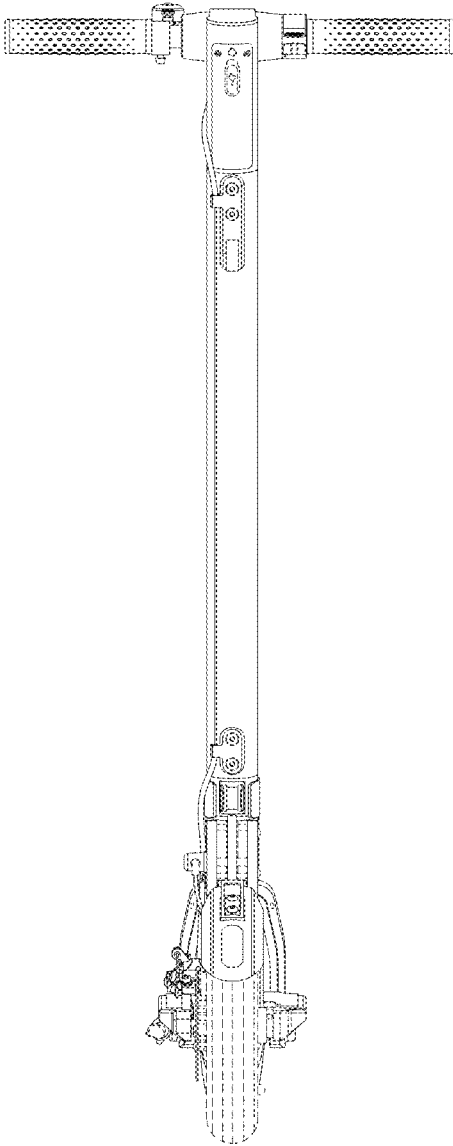


FIG. 5

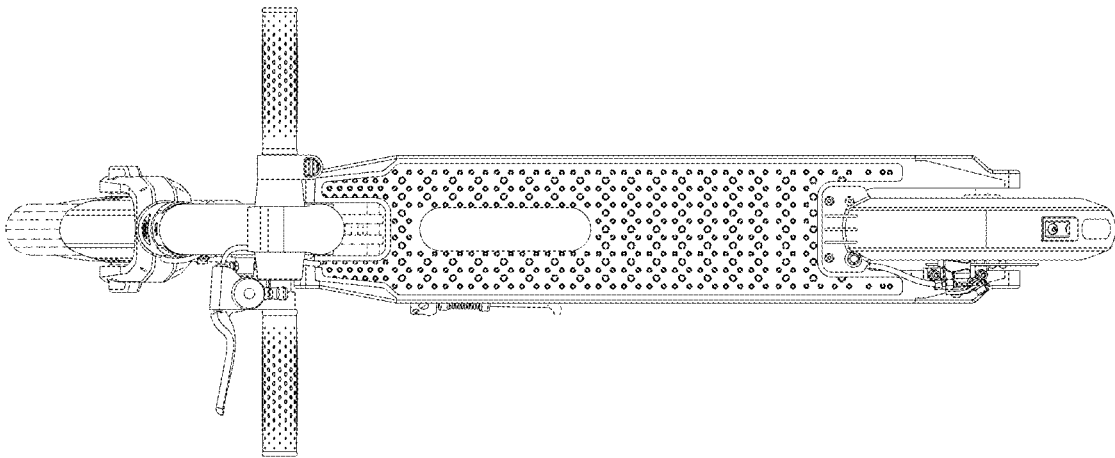


FIG. 6

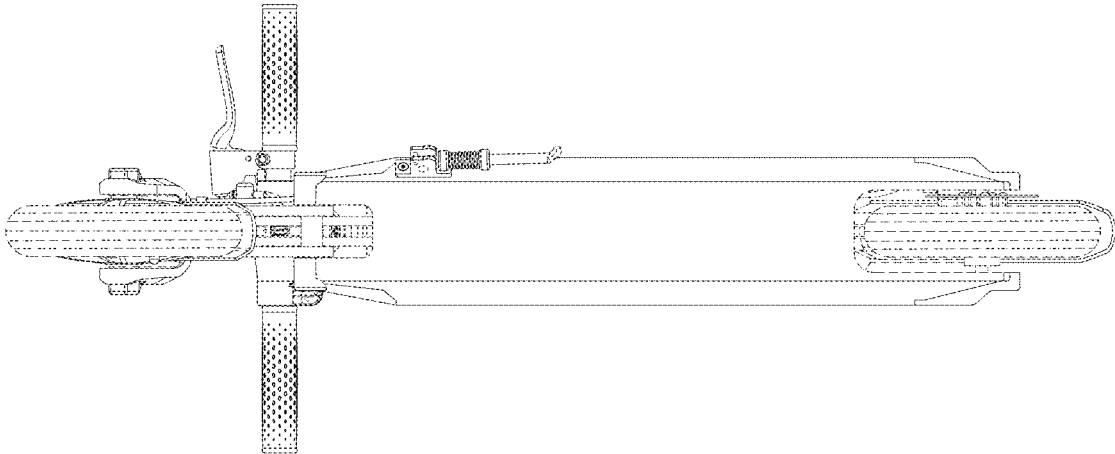


FIG. 7