

(19) World Intellectual Property Organization  
International Bureau



(43) International Publication Date  
6 June 2002 (06.06.2002)

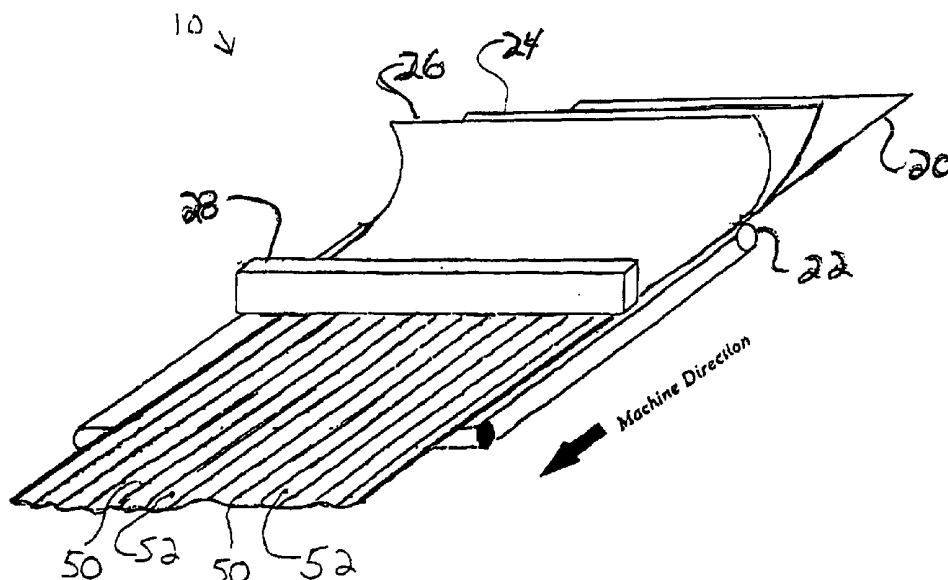
PCT

(10) International Publication Number  
WO 02/044454 A3

- (51) International Patent Classification<sup>7</sup>: D06M 11/00
- (21) International Application Number: PCT/US01/44670
- (22) International Filing Date:  
29 November 2001 (29.11.2001)
- (25) Filing Language: English
- (26) Publication Language: English
- (30) Priority Data:  
60/253,759 29 November 2000 (29.11.2000) US
- (71) Applicant: POLYMER GROUP INC. [US/US]; 4838  
Jenkins Avenue, North Charleston, SC 29406 (US).
- (72) Inventor: NGAI, Mou-Chung; De Sering 8, NL-5831 RV  
Boxmeer (NL).
- (74) Agent: GEIMER, Stephen, D.; Wood, Phillips, Katz,  
Clark & Mortimer, Citicorp Center, Suite 3800, 500 West  
Madison Street, Chicago, IL 60661-2511 (US).
- (81) Designated States (*national*): AE, AG, AL, AM, AT, AU,  
AZ, BA, BB, BG, BR, BY, BZ, CA, CH, CN, CO, CR, CU,  
CZ, DE, DK, DM, DZ, EC, EE, ES, FI, GB, GD, GE, GH,  
GM, HR, HU, ID, IL, IN, IS, JP, KE, KG, KP, KR, KZ, LC,  
LK, LR, LS, LT, LU, LV, MA, MD, MG, MK, MN, MW,  
MX, MZ, NO, NZ, PL, PT, RO, RU, SD, SE, SG, SI, SK,  
SL, TJ, TM, TR, TT, TZ, UA, UG, UZ, VN, YU, ZA, ZW.
- (84) Designated States (*regional*): ARIPO patent (GH, GM,  
KE, LS, MW, MZ, SD, SL, SZ, TZ, UG, ZM, ZW),  
Eurasian patent (AM, AZ, BY, KG, KZ, MD, RU, TJ, TM),  
European patent (AT, BE, CH, CY, DE, DK, ES, FI, FR,  
GB, GR, IE, IT, LU, MC, NL, PT, SE, TR), OAPI patent  
(BF, BJ, CF, CG, CI, CM, GA, GN, GQ, GW, ML, MR,  
NE, SN, TD, TG).
- Published:  
— with international search report
- (88) Date of publication of the international search report:  
6 September 2002

[Continued on next page]

(54) Title: METHOD FOR FORMING LAMINATE NONWOVEN FABRIC



(57) Abstract: A method for creating a nonwoven laminate fabric with three laminated layers, with top and bottom layers of thin veneer and a center layer of pulp, resulting in a laminate fabric with particular utility as a flushable wipe. Figure 1 illustrates a hydroentangled nonwoven layer (20) provided on a moving support (22). A second nonwoven layer (24) is overlaid on top of first layer (20) and a third nonwoven layer (26) overlaid on top of second layer (24). Support (22) with the three layers thereon is then conveyed under manifold (28). For the utility in making flushable wipes, unentangled regions (50) between lines of entanglement (52) result in a laminate fabric that has a sufficient wet strength and can disentangle under normal shear stresses present in a sewer system so as to be flushable.



WO 02/044454 A3



---

*For two-letter codes and other abbreviations, refer to the "Guidance Notes on Codes and Abbreviations" appearing at the beginning of each regular issue of the PCT Gazette.*

**INTERNATIONAL SEARCH REPORT**

International application No.

PCT/US01/44670

**A. CLASSIFICATION OF SUBJECT MATTER**  
 IPC(7) : D06M 11/00;  
 US CL : 8/115.51, 116.1, 137, 142, 156  
 According to International Patent Classification (IPC) or to both national classification and IPC

**B. FIELDS SEARCHED**

Minimum documentation searched (classification system followed by classification symbols)  
 U.S. : 8/115.51, 116.1, 118, 137, 142, 156

Documentation searched other than minimum documentation to the extent that such documents are included in the fields searched

Electronic data base consulted during the international search (name of data base and, where practicable, search terms used)  
 laminate nonwoven fabric  
 hydroentangl\$

**C. DOCUMENTS CONSIDERED TO BE RELEVANT**

Category *	Citation of document, with indication, where appropriate, of the relevant passages	Relevant to claim No.
X	US 5,009,747 A (VIAZMENSKY et al.) 23 April 1991 (23 04 1991), abstract and column 5 ln. 20-25; col.7 ln.35-70 and col.8 ln.5-35.	1-23
X	US 5,525,397 A (SHIZUNO et al.) 11 June 1996 (11.06.1996), abstract, figure 2, col.1-7 example 2 and claim 1.	1-17, 18-23
Y	US 5,275,700 A (TROKHAN) 04 January 1994 (04.01.1994), abstract col.15-22.	1-23

Further documents are listed in the continuation of Box C.  See patent family annex.

* Special categories of cited documents:	"T"	later document published after the international filing date or priority date and not in conflict with the application but cited to understand the principle or theory underlying the invention
"A" document defining the general state of the art which is not considered to be of particular relevance	"X"	document of particular relevance; the claimed invention cannot be considered novel or cannot be considered to involve an inventive step when the document is taken alone
"E" earlier application or patent published on or after the international filing date	"Y"	document of particular relevance; the claimed invention cannot be considered to involve an inventive step when the document is combined with one or more other such documents, such combination being obvious to a person skilled in the art
"L" document which may throw doubts on priority claim(s) or which is cited to establish the publication date of another citation or other special reason (as specified)	"&"	document member of the same patent family
"O" document referring to an oral disclosure, use, exhibition or other means		
"P" document published prior to the international filing date but later than the priority date claimed		

Date of the actual completion of the international search 23 April 2002 (23.04.2002)	Date of mailing of the international search report <b>12 JUN 2002</b>
---	--

Name and mailing address of the ISA/US Commissioner of Patents and Trademarks Box PCT Washington, D.C. 20231 Facsimile No. (703)305-3230	Authorized officer Yogendra Gupta Telephone No. 703-308-0661 Jean Proctor Paralegal, Analyst
--	--