



US00D671364S

(12) **United States Design Patent**
Parel et al.

(10) **Patent No.:** **US D671,364 S**

(45) **Date of Patent:** **** Nov. 27, 2012**

(54) **PORTION OF A GRILL**

(75) Inventors: **Thomas Parel**, Anderson, SC (US);
Zach Scott, Easley, SC (US); **Scott Kippes**, Anderson, SC (US); **Adam Clark**, Anderson, SC (US)

(73) Assignee: **Techtronic Power Tools Technology Limited**, Tortola (VG)

(**) Term: **14 Years**

(21) Appl. No.: **29/384,505**

(22) Filed: **Jan. 31, 2011**

(51) **LOC (9) Cl.** **07-02**

(52) **U.S. Cl.** **D7/409**

(58) **Field of Classification Search** D7/323,
D7/354-363, 388-393, 395, 407-409, 538,
D7/542-545, 554.2, 552.2, 566, 570, 584-587,
D7/601-602, 610, 667, 698; D11/152; D23/418;
D29/119; 99/279, 324-325, 330-332, 337-345,
99/369, 400-426, 444-446, 467; 126/9 B,
126/25 A, 25 R, 41 R, 275 R, 337 R, 380.1,
126/390.1; 219/401, 405, 435-442, 620-624,
219/725, 729-735, 754-755; 220/4.26, 485,
220/491, 573.1-573.5, 574, 607, 658, 676,
220/759, 771, 912; 426/438, 441, 523

See application file for complete search history.

(56) **References Cited**

U.S. PATENT DOCUMENTS

D5,144 S	7/1871	Talbot
730,268 A	6/1903	Keller
882,151 A	3/1908	Koeppen
893,602 A	7/1908	Bond
1,133,912 A	3/1915	Barrere
1,178,425 A	4/1916	Tant
1,217,758 A	2/1917	Haapanen
1,241,378 A	9/1917	Hendee

1,245,174 A	11/1917	Bacik
1,248,391 A	11/1917	Pentony
1,648,789 A	11/1927	Stockstrom
2,092,198 A	9/1937	Anderson
2,120,683 A	6/1938	Simmons
2,162,961 A	6/1939	Mattoon
2,262,273 A	11/1941	Ferrara
2,712,151 A	7/1955	Becht
2,808,284 A	10/1957	Rasmussen
3,209,743 A	10/1965	Stewar et al.

(Continued)

OTHER PUBLICATIONS

Office Action from the Mexican Institute of Industrial Property for Application No. MX/F/2011/002604 dated Mar. 28, 2012 (Original and English Translation, 7 pages).

(Continued)

Primary Examiner — Ricky Pham

(74) *Attorney, Agent, or Firm* — Michael Best & Friedrich LLP

(57) **CLAIM**

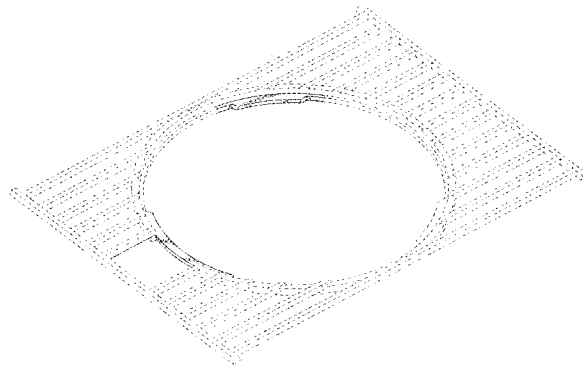
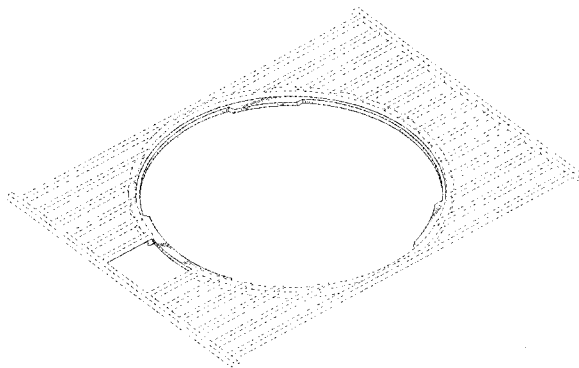
We claim the ornamental design for a portion of a grill, as shown and described.

DESCRIPTION

FIG. 1 is a perspective view of a portion of a grill.
FIG. 2 is a top view of the portion of the grill shown in FIG. 1.
FIG. 3 is a perspective view of another portion of a grill; and, FIG. 4 is a top view of the portion of the grill shown in FIG. 3.

The elements shown in broken lines, including cooking surface portions and outer periphery shape (e.g., rectangular) of the grill, are included for the purpose of illustrating environment and form no part of the claimed design.

1 Claim, 4 Drawing Sheets



US D671,364 S

U.S. PATENT DOCUMENTS								
3,216,379	A	11/1965	Durfee	6,422,233	B1	7/2002	Bhagat	
3,269,765	A	8/1966	Pryce	6,439,222	B1	8/2002	Dixon et al.	
3,306,279	A	2/1967	Dale	6,439,420	B1	8/2002	Park	
3,323,508	A	6/1967	Holman	6,523,461	B1	2/2003	Johnston et al.	
3,327,698	A	6/1967	Leslie	6,622,616	B1 *	9/2003	Measom	99/345
3,382,863	A	5/1968	Katz	6,694,868	B1	2/2004	Hung	
3,450,025	A	6/1969	Fleming	6,718,966	B1 *	4/2004	Barbour	126/25 R
3,453,975	A	7/1969	Gunter	D489,222	S	5/2004	Pai	
3,509,814	A *	5/1970	Karapetian	6,739,473	B2	5/2004	Kahler et al.	
3,617,693	A	11/1971	Shimosawa	6,748,940	B2	6/2004	Bennett et al.	
3,974,821	A	8/1976	Storandt	6,755,187	B2	6/2004	Harrod et al.	
4,094,649	A	6/1978	Osterried	6,782,801	B1 *	8/2004	Correa et al.	99/340
4,126,120	A	11/1978	Bourboulis	D497,280	S	10/2004	Pai	
4,130,103	A	12/1978	Zimmerman	D499,928	S	12/2004	Zhang	
D252,008	S *	6/1979	Jeambey	6,827,076	B2	12/2004	Crawford et al.	
4,215,667	A	8/1980	Hsu	D501,116	S	1/2005	Zhang	
4,227,510	A	10/1980	Frazier et al.	6,841,759	B2	1/2005	Elwedini	
D260,221	S *	8/1981	Lee et al.	D503,065	S	3/2005	Pai	
4,417,565	A	11/1983	Karpinia	D505,048	S	5/2005	Cornfield	
4,432,334	A	2/1984	Holt	D506,352	S *	6/2005	Dow et al.	D7/361
4,434,780	A	3/1984	Hepner	6,913,013	B1	7/2005	Mize	
D275,170	S *	8/1984	Bentson	6,925,998	B2	8/2005	Bruno et al.	
4,471,985	A	9/1984	Mahoney	6,935,327	B1	8/2005	Williams et al.	
4,510,855	A	4/1985	Avner	6,935,330	B1	8/2005	Barrero et al.	
4,510,916	A	4/1985	Ogden	D513,150	S *	12/2005	Asner	D7/354
4,524,751	A	6/1985	Hoglund	D518,678	S	4/2006	Menegon	
4,531,507	A	7/1985	Gerson	7,028,374	B2	4/2006	Fiocco	
4,567,876	A	2/1986	Ogden	D520,299	S *	5/2006	Carlson	D7/409
4,569,279	A	2/1986	Avner	D521,308	S	5/2006	Tseng	
4,603,679	A	8/1986	Ogden	D525,072	S	7/2006	Wilgus et al.	
4,607,613	A	8/1986	Toldi	D525,073	S	7/2006	Wilgus et al.	
D292,163	S	10/1987	Mashburn et al.	D528,349	S	9/2006	Chung	
4,924,846	A	5/1990	Peacock et al.	D533,009	S	12/2006	Pai	
D308,799	S *	6/1990	Yamada et al.	D533,011	S	12/2006	Pai	
D312,941	S *	12/1990	Zivin	D535,139	S	1/2007	Lutz	
5,069,196	A	12/1991	Schlosser et al.	7,165,489	B1	1/2007	Fernandez et al.	
5,143,045	A	9/1992	Minnis	D541,486	S *	4/2007	Mahaffey	D29/119
5,154,159	A	10/1992	Knafelc et al.	D541,575	S	5/2007	Lutz	
5,197,455	A	3/1993	Tessien	D541,576	S	5/2007	Lutz	
D335,795	S *	5/1993	Conti	7,219,663	B2 *	5/2007	Cuomo	126/25 R
5,211,105	A *	5/1993	Liu	D546,116	S	7/2007	Tseng	
5,230,325	A	7/1993	Williams	D546,616	S	7/2007	Tseng	
5,373,608	A	12/1994	Welch	D560,094	S *	1/2008	Miller	D7/388
5,458,054	A	10/1995	Yu	D560,953	S	2/2008	Bruno et al.	
5,469,835	A	11/1995	Stephen et al.	D563,739	S	3/2008	Shamoon	
D364,777	S	12/1995	Schlosser et al.	D566,456	S	4/2008	Proffitt	
5,490,452	A	2/1996	Schlosser et al.	D568,683	S *	5/2008	Glynn	D7/407
5,499,666	A	3/1996	Foster et al.	D571,142	S	6/2008	Chung	
5,552,577	A *	9/1996	Su	D571,604	S	6/2008	Chung	
5,558,008	A	9/1996	Jenkins	D571,605	S	6/2008	Chung	
5,605,143	A	2/1997	Hebert et al.	D578,335	S	10/2008	Proffitt	
5,638,807	A	6/1997	Flamenbaum	D581,199	S	11/2008	Chau	
5,704,092	A	1/1998	Nicollet et al.	7,478,735	B2	1/2009	Lorthioir et al.	
5,768,980	A *	6/1998	Degen	7,481,330	B2	1/2009	Lorthioir et al.	
5,809,991	A	9/1998	Pai	D598,717	S *	8/2009	Jalet	D7/667
D402,503	S	12/1998	Sanchez	7,575,002	B2	8/2009	DeMars et al.	
5,865,099	A	2/1999	Waugh	D601,378	S	10/2009	Chung	
5,875,772	A	3/1999	Saey	D604,098	S *	11/2009	Hamlin	D7/408
5,887,751	A	3/1999	Kroscher	7,611,179	B2	11/2009	Lorthioir et al.	
5,988,050	A *	11/1999	Foster, Jr.	D613,131	S *	4/2010	Chen et al.	D7/667
6,000,100	A	12/1999	Montgelard	7,717,029	B2	5/2010	Rowe et al.	
6,000,739	A	12/1999	Zemit et al.	7,717,031	B1 *	5/2010	Cornfield	99/413
6,009,867	A	1/2000	Walton	D618,034	S	6/2010	Chung	
6,024,014	A	2/2000	Kasai	D618,485	S	6/2010	Chung	
D428,305	S *	7/2000	Berkes	D620,312	S *	7/2010	Jendrass	D7/408
6,105,487	A *	8/2000	Nash et al.	7,762,182	B2	7/2010	Garziera	
D437,522	S *	2/2001	Measom	D621,650	S *	8/2010	DeLeo	D7/354
6,182,559	B1	2/2001	Chiang	D623,006	S	9/2010	Alden et al.	
6,186,055	B1	2/2001	DeMars et al.	D623,007	S	9/2010	Alden et al.	
6,196,115	B1	3/2001	Tsao	D623,013	S	9/2010	Alden et al.	
6,196,120	B1	3/2001	Reames	D623,014	S	9/2010	Alden et al.	
6,220,149	B1	4/2001	Lin	7,793,649	B2	9/2010	Barkhouse et al.	
6,250,493	B1	6/2001	Kwan	7,810,486	B2	10/2010	Bruno et al.	
6,257,229	B1	7/2001	Stewart et al.	7,823,576	B2	11/2010	Timmons et al.	
6,257,439	B1	7/2001	Hsu	7,900,624	B2	3/2011	DeMars et al.	
D453,308	S *	2/2002	McCauley	D635,816	S *	4/2011	France et al.	D7/354
6,360,654	B1 *	3/2002	Cornfield	D641,216	S *	7/2011	Chen	D7/667
6,393,973	B1	5/2002	Velo et al.	7,977,612	B2 *	7/2011	Levy et al.	219/729
				D657,442	S *	4/2012	Siemie czuk	D23/418

US D671,364 S

Page 3

2003/0094171 A1 5/2003 Harrod et al.
2005/0045168 A1 3/2005 Zapp
2005/0205076 A1 9/2005 Boucher
2006/0225725 A1 10/2006 Rinaldo
2006/0260475 A1 11/2006 Bjork et al.
2007/0056577 A1 3/2007 Chang
2007/0204856 A1 9/2007 Elwell et al.
2007/0204858 A1 9/2007 Abelbeck
2007/0221194 A1 9/2007 Bruno et al.
2008/0178864 A1 7/2008 Hoyles et al.
2008/0196708 A1 8/2008 Lee
2008/0257332 A1 10/2008 Maruya
2008/0264404 A1 10/2008 Hoyles et al.
2008/0271728 A1 11/2008 Pai
2009/0025574 A1 1/2009 Byrnes et al.

2009/0045207 A1 2/2009 Lorthioir
2009/0050131 A1 2/2009 Lee
2009/0095276 A1 4/2009 Kaye
2009/0277438 A1 11/2009 Fischer et al.
2010/0059037 A1 3/2010 Witzel et al.
2010/0089380 A1 4/2010 DeMars
2010/0212652 A1 8/2010 DeMars et al.
2011/0005037 A1 1/2011 Kim

OTHER PUBLICATIONS

Office Action from the Mexican Institute of Industrial Property for Application No. MX/F/2011/002603 dated Mar. 28, 2012 (Original and English Translation, 7 pages).

* cited by examiner

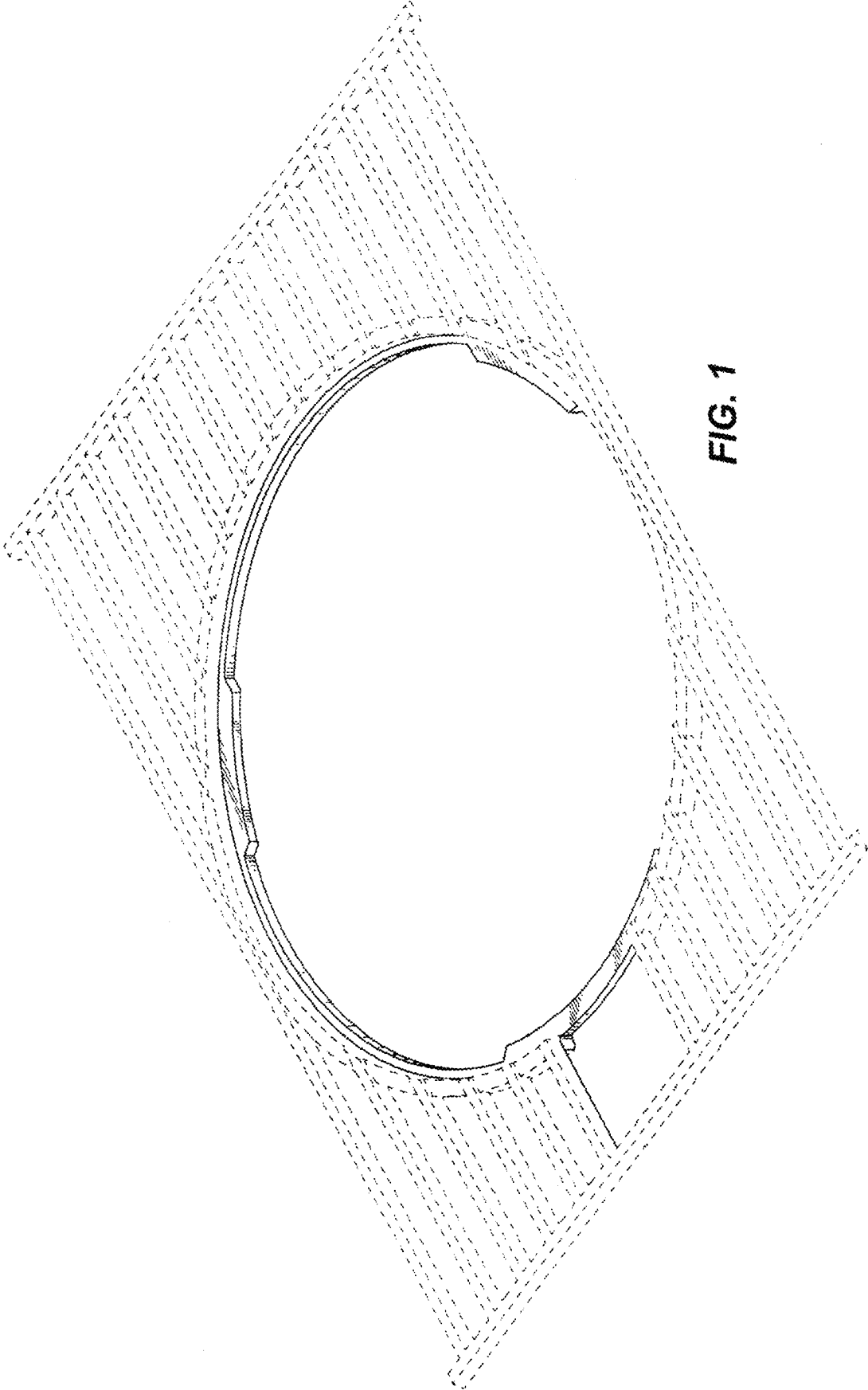


FIG. 1

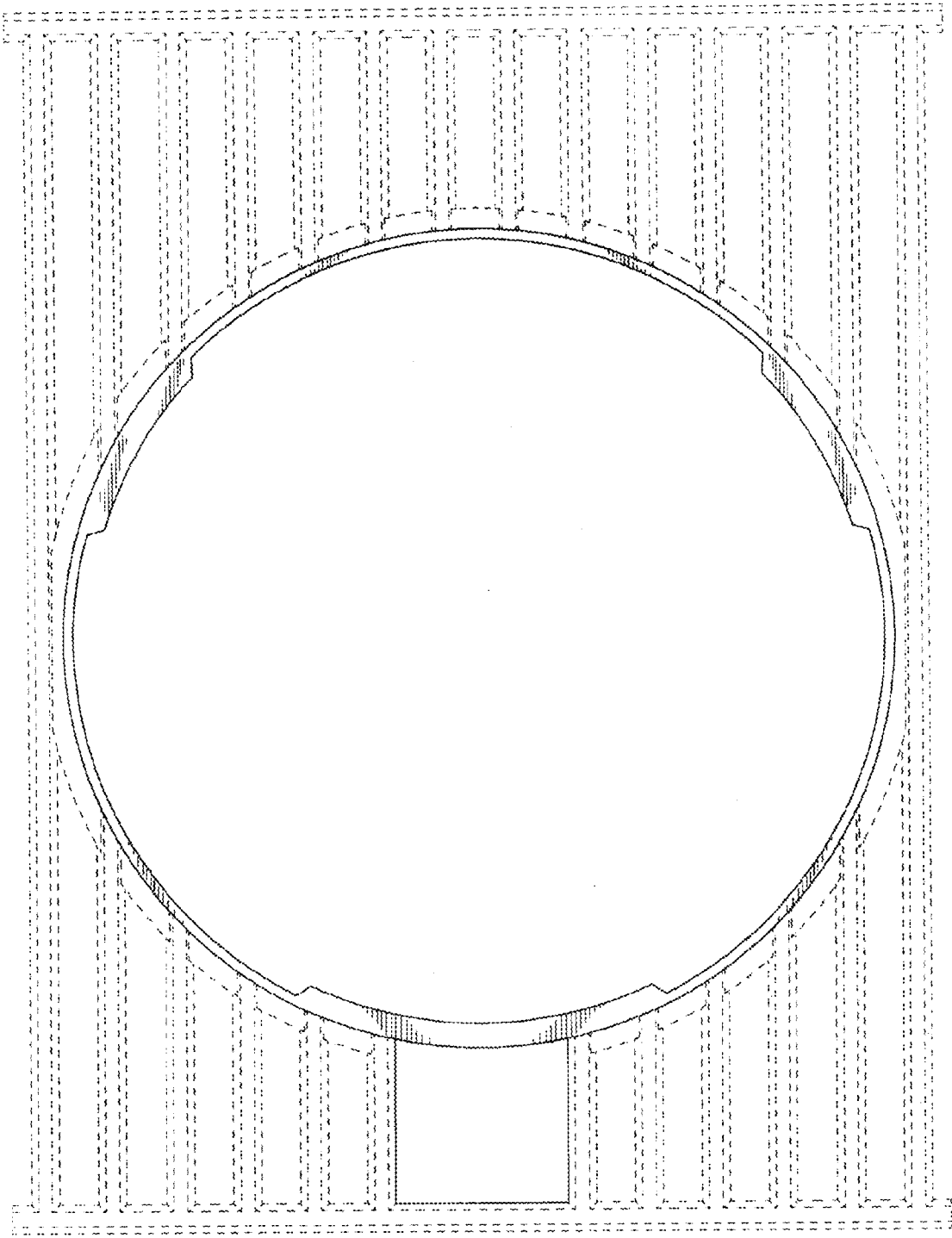


FIG. 2

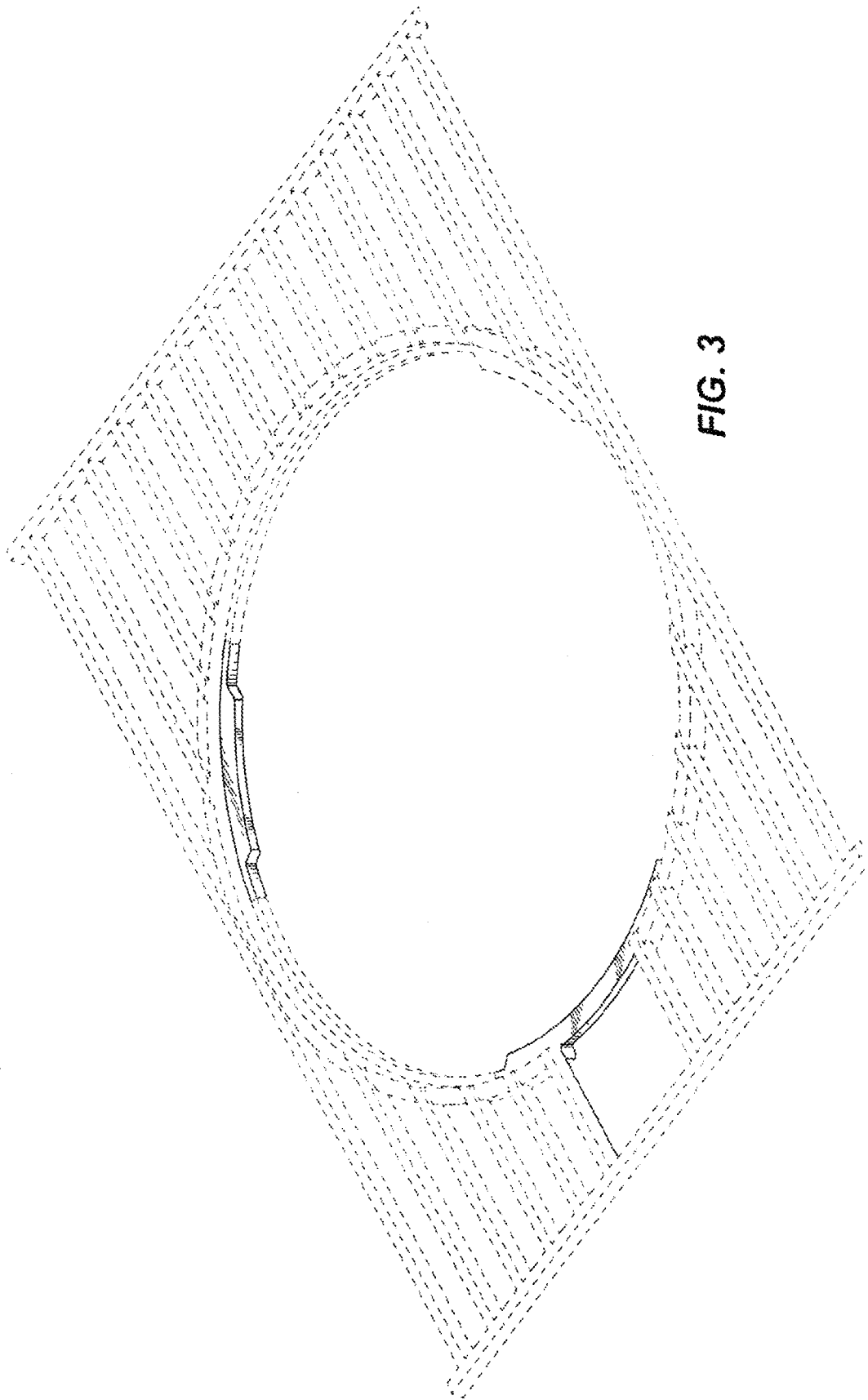


FIG. 3

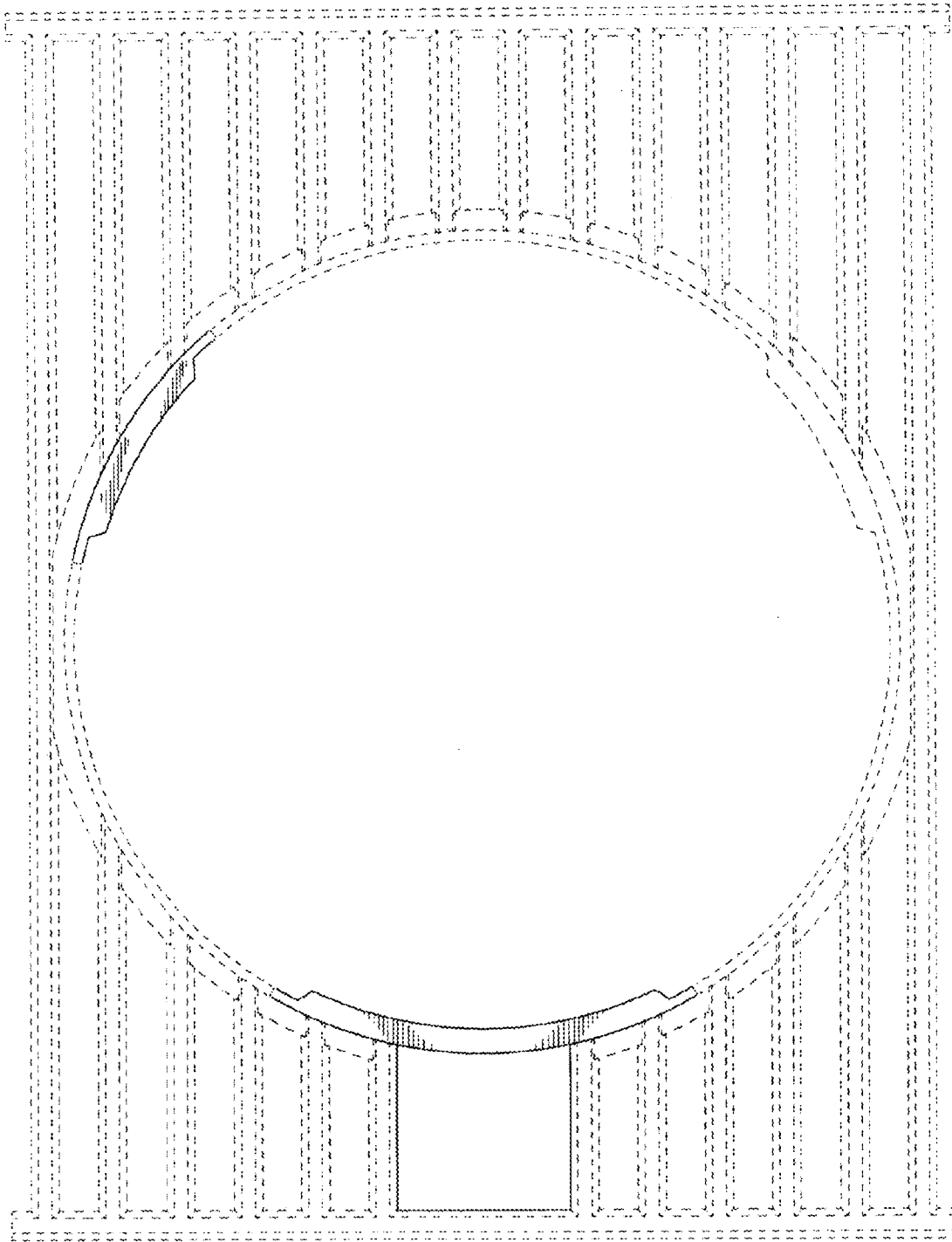


FIG. 4