



US00D356355S

# United States Patent [19]

[11] Patent Number: **Des. 356,355**

Martin

[45] Date of Patent: **\*\* Mar. 14, 1995**

[54] **TOY BALL**

[76] Inventor: **Rod G. Martin**, 1588 English Dr.,  
San Jose, Calif. 95129

[\*\*] Term: **14 Years**

[21] Appl. No.: **22,279**

[22] Filed: **May 3, 1994**

*Primary Examiner*—Melvin B. Feifer  
*Assistant Examiner*—Cheri Cohen  
*Attorney, Agent, or Firm*—Skjerven, Morrill,  
MacPherson, Franklin & Friel

### [57] CLAIM

The ornamental design for a toy ball, as shown and described.

### DESCRIPTION

FIG. 1 is a perspective view of a toy ball;  
FIG. 2 is an exploded perspective view thereof;  
FIG. 3 is a front elevation view thereof, the rear and side views being identical;  
FIG. 4 is an exploded front elevation view thereof;  
FIG. 5 is a top plan view thereof, the bottom view being identical;  
FIG. 6 is a bottom plan view of the upper half portion shown in FIG. 4;  
FIG. 7 is a top plan view of the bottom half portion shown in FIG. 4; and,  
FIG. 8 is a front elevation view of a second alternate embodiment, the rear and side views being identical, and the top and bottom plan views being identical to FIG. 5.

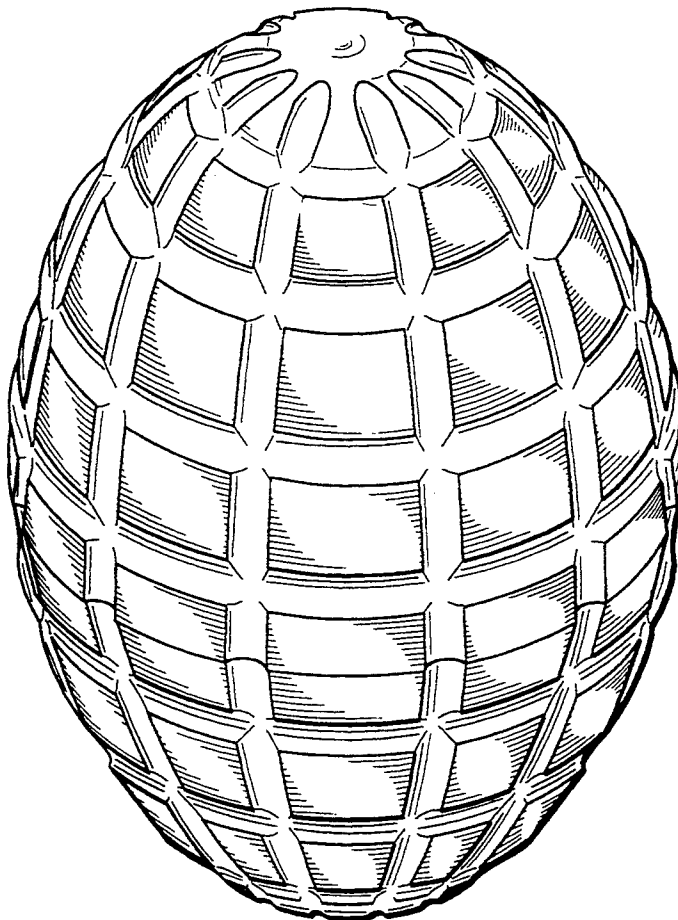
### Related U.S. Application Data

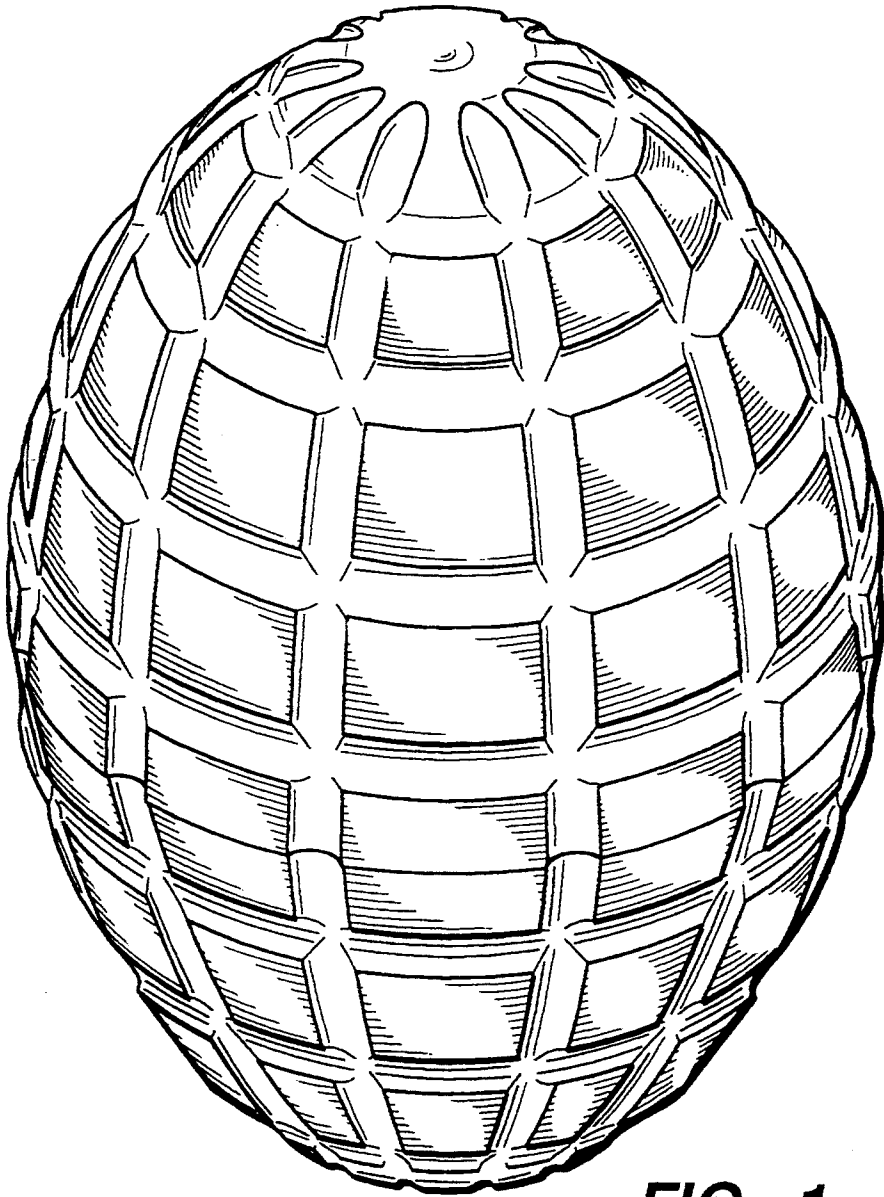
- [63] Continuation of Ser. No. 162,422, Dec. 2, 1993.
- [52] U.S. Cl. .... **D21/204**
- [58] Field of Search ..... D21/203-205;  
273/58 R, 58 A, 58 B, 58 BA, 58 D, 58 J, 58 K,  
65 R, 65 EG; 446/120, 121, 4

### References Cited

#### U.S. PATENT DOCUMENTS

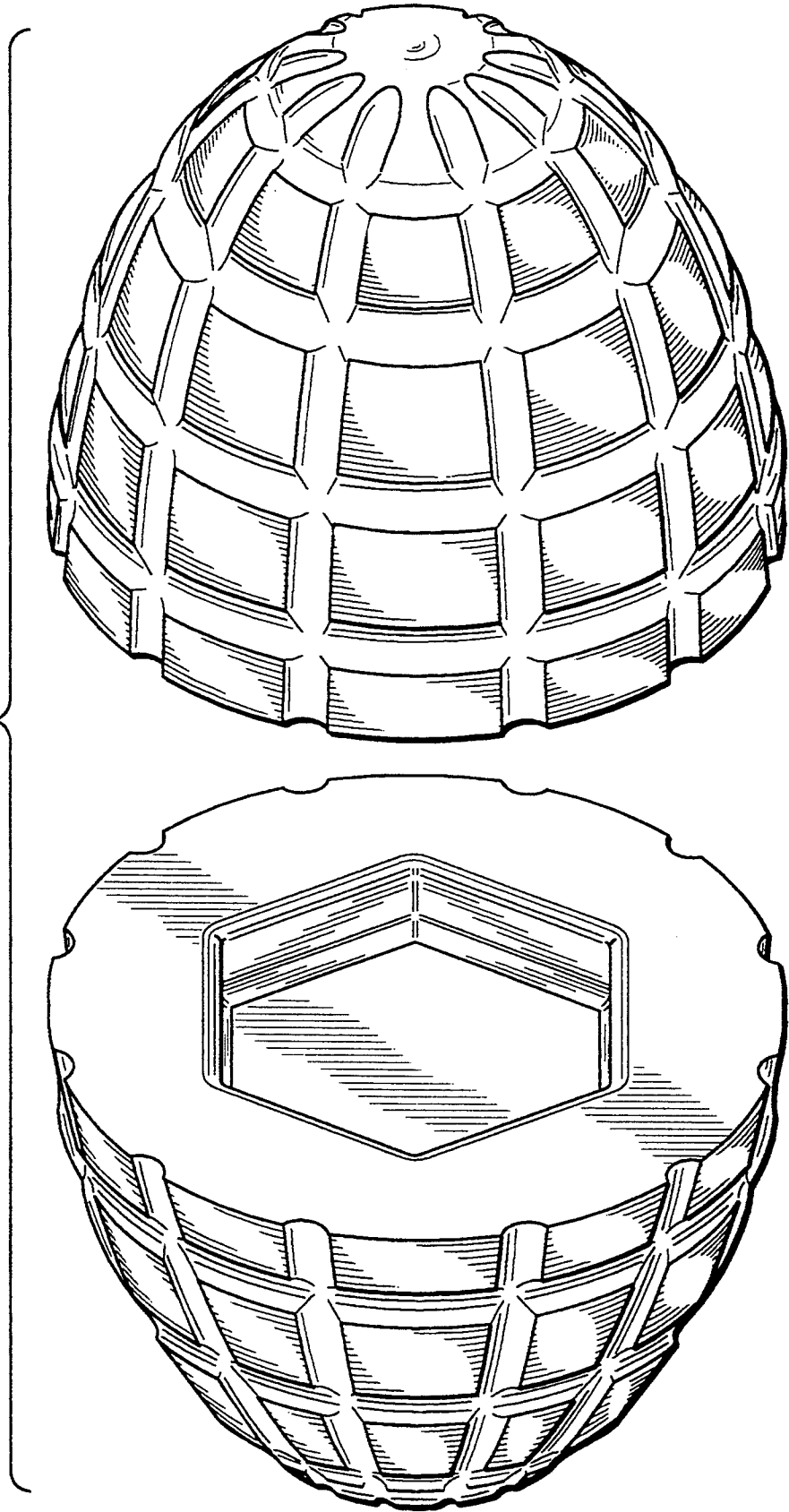
D. 52,712	11/1918	Turner	.....	D21/205
D. 71,562	11/1926	Penfold	.....	D21/205
3,687,452	8/1972	Thompson	.....	446/4 X
4,871,169	10/1989	Autorino et al.	.....	273/26 R
4,887,814	12/1989	Winter	.....	273/58 K X
5,133,550	7/1992	Handy	.....	273/58 K X

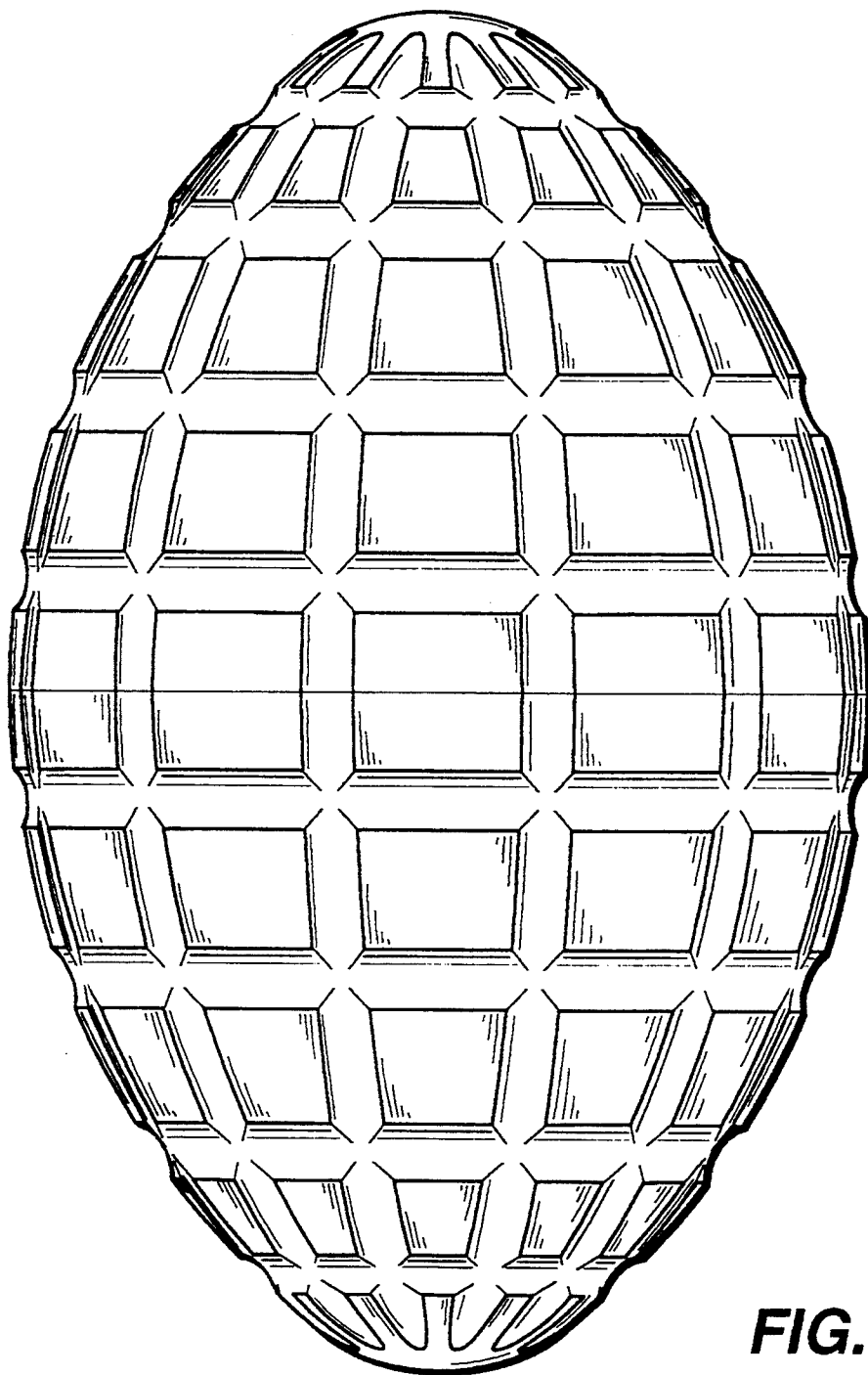




**FIG. 1**

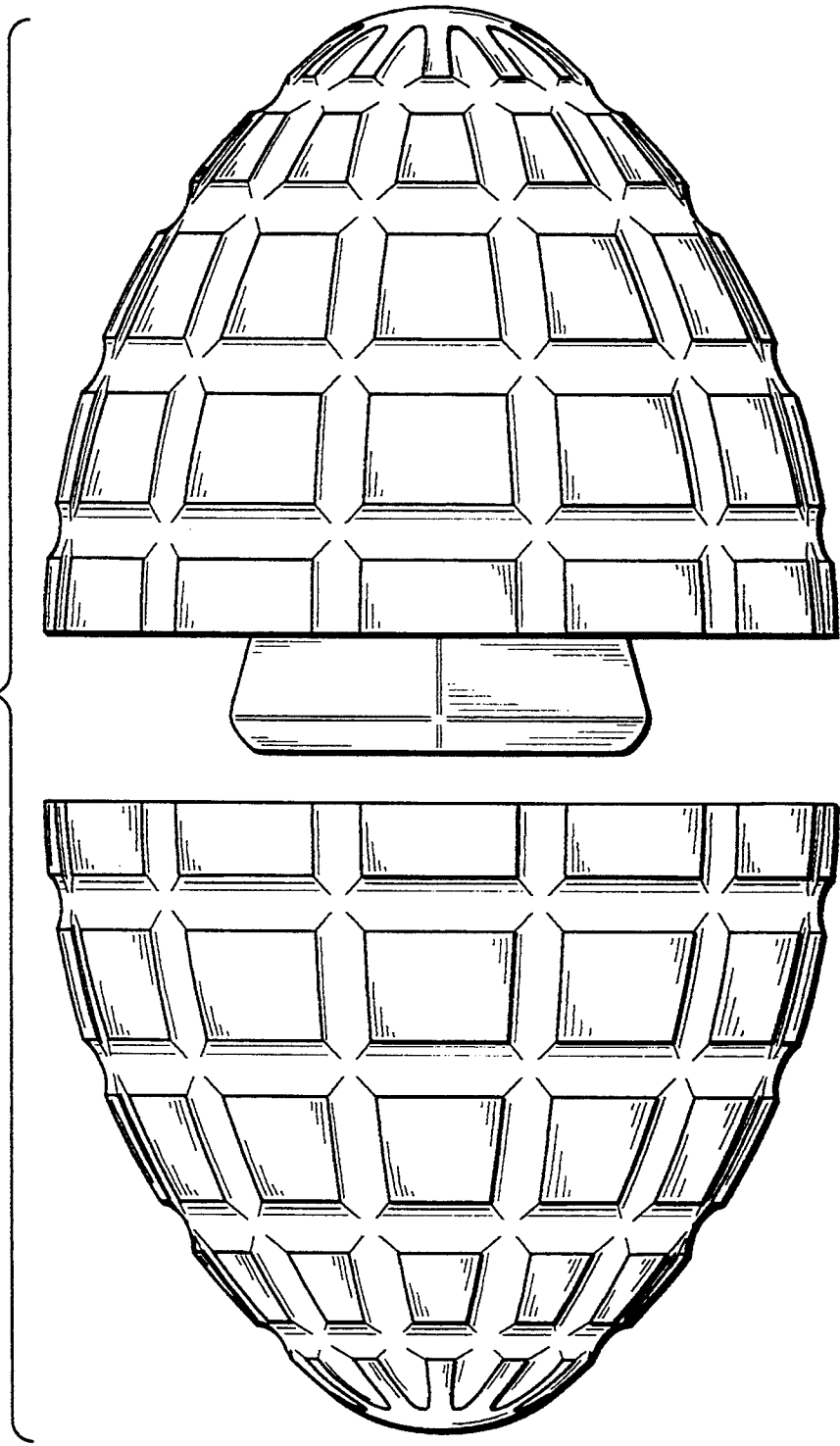
**FIG. 2**

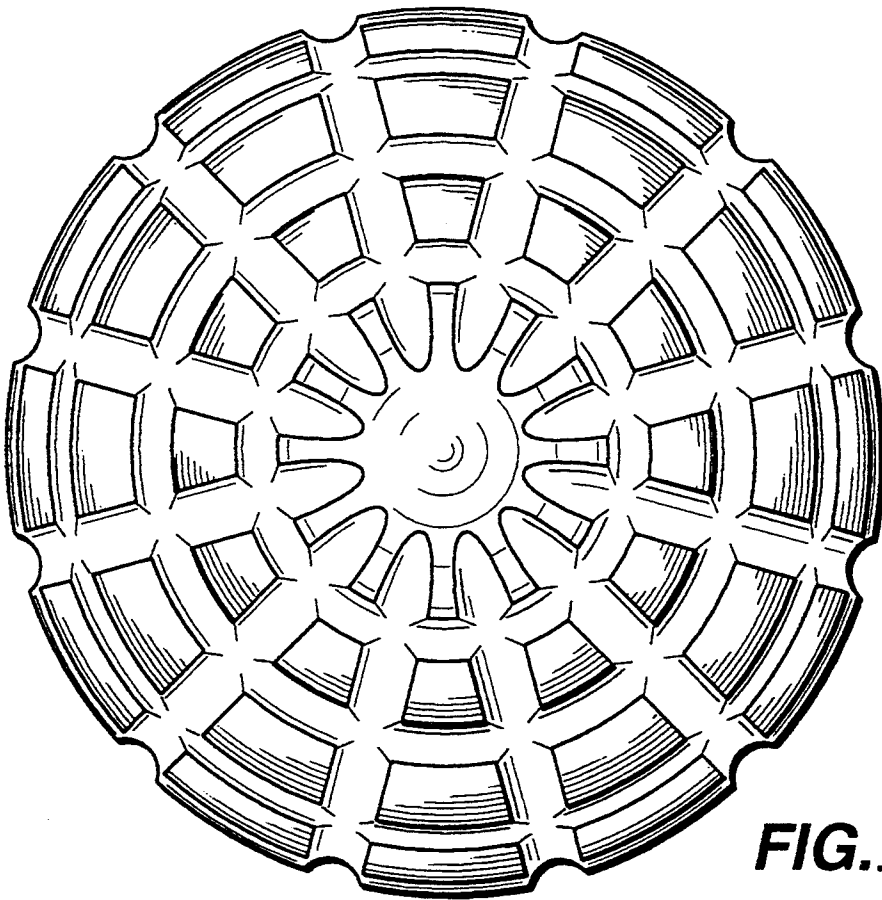




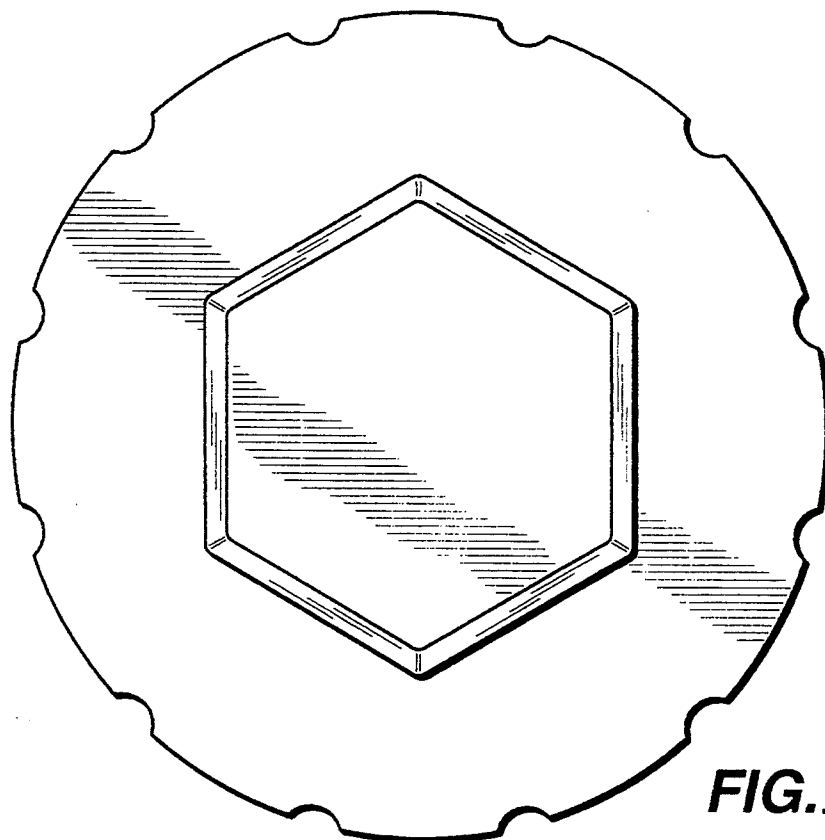
**FIG. 3**

**FIG. 4**

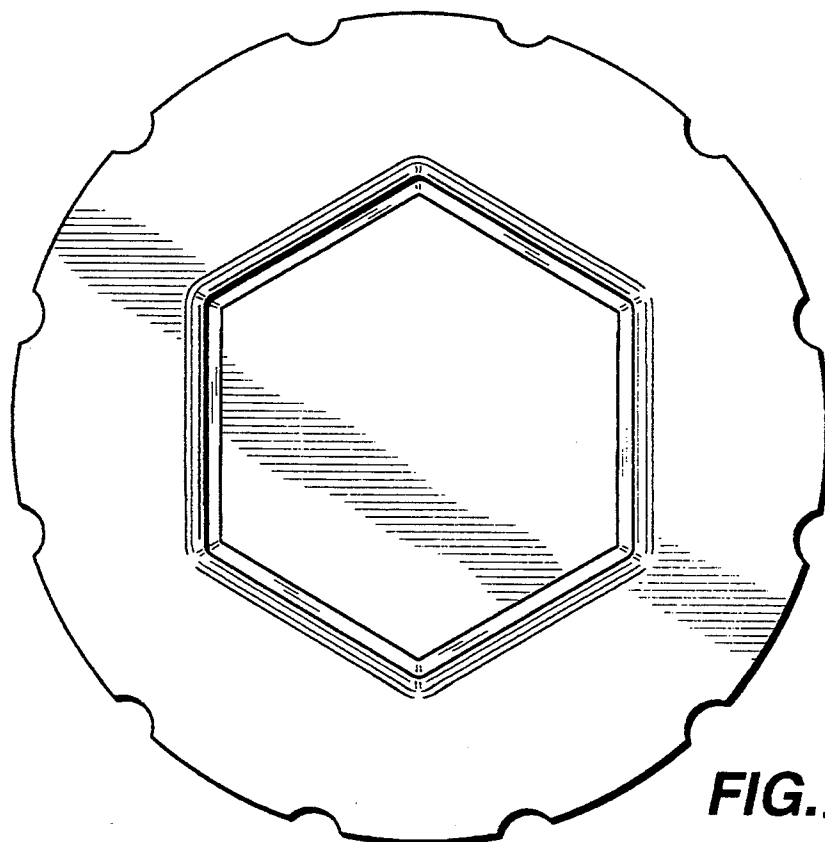




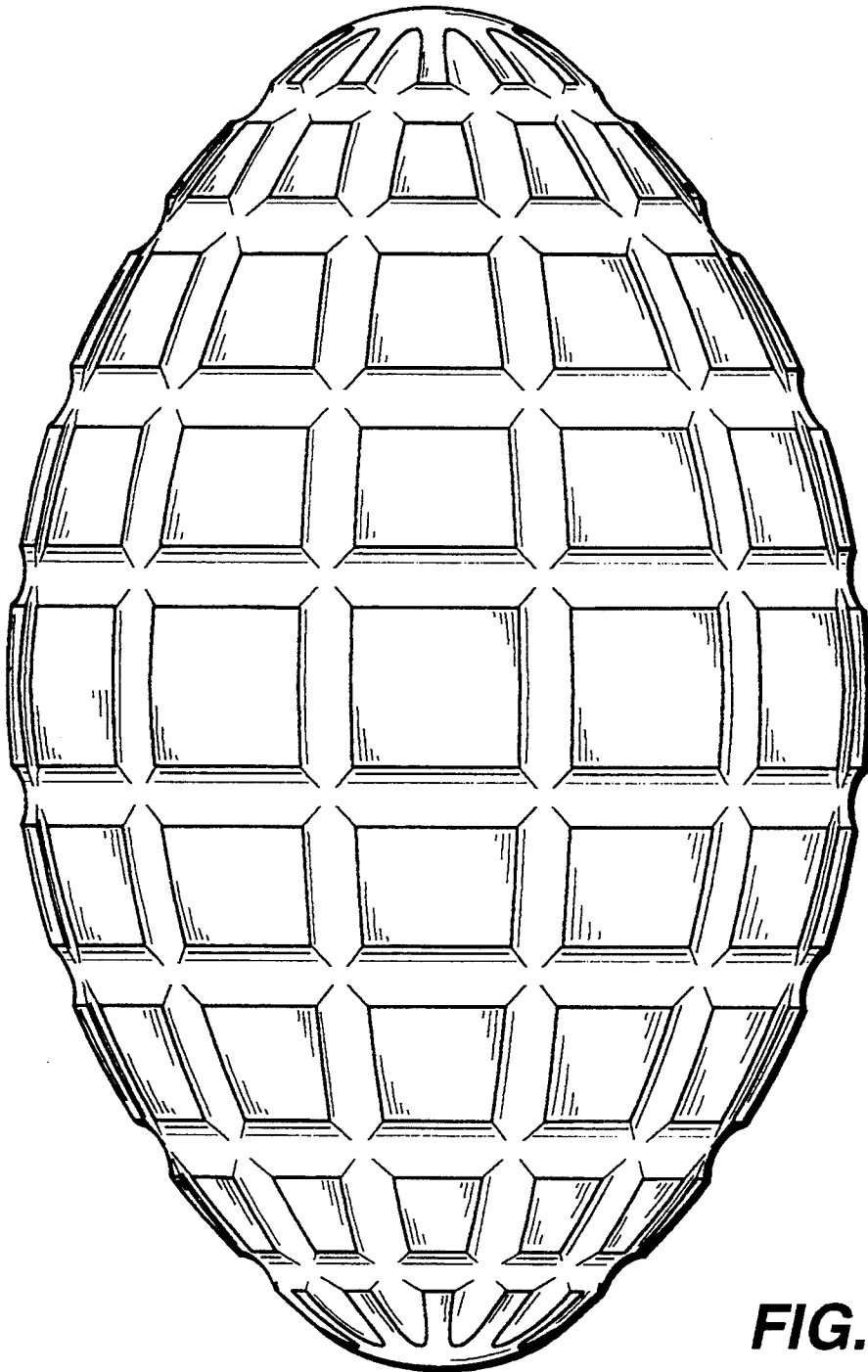
**FIG. 5**



**FIG. 6**



**FIG. 7**



**FIG. 8**