

[54] SURGICAL INSTRUMENT TRAY

[75] Inventors: **Tore Alexander Forsman**,  
Saltsjöbaden; **Christer Odvik**,  
Djursholm, both of Sweden

[73] Assignees: **Toringe Consult AB; Christer Odvik  
AB**

[\*\*] Term: **14 Years**

[21] Appl. No.: **674,277**

[22] Filed: **Apr. 6, 1978**

[30] **Foreign Application Priority Data**

Oct. 7, 1975 [SE] Sweden ..... 2014/75

[51] Int. Cl. .... **D24-02; D24-99**

[52] U.S. Cl. .... **D24/31; D24/32;  
D9/187**

[58] Field of Search ..... **D9/187, 185; 206/557,  
206/562, 564, 592, 591, 594, 561; D24/31, 32**

[56] **References Cited**

**U.S. PATENT DOCUMENTS**

D. 204,113	3/1966	Cranfill et al. ....	D24/31
D. 204,258	4/1966	Barrantes et al. ....	D24/32
D. 221,908	9/1971	Berkowitz .....	D24/31
D. 226,266	2/1973	Rem et al. ....	D24/31
D. 227,180	6/1973	Brodsky .....	D24/32
D. 234,404	2/1975	Merrill .....	D24/31
3,304,219	2/1967	Nickerson .....	206/591
3,708,709	1/1973	Morrison et al. ....	206/561

*Primary Examiner*—Bernard Ansher  
*Attorney, Agent, or Firm*—Robert Osann

[57] **CLAIM**

The ornamental design for a surgical instrument tray, as shown and described.

**DESCRIPTION**

FIG. 1 is a top perspective view of a surgical instrument tray, showing our new design; the insert element has been omitted for clarity of illustration; FIG. 2 is a bottom perspective view thereof; and FIG. 3 is a top perspective view of the surgical tray with the insert positioned therein.

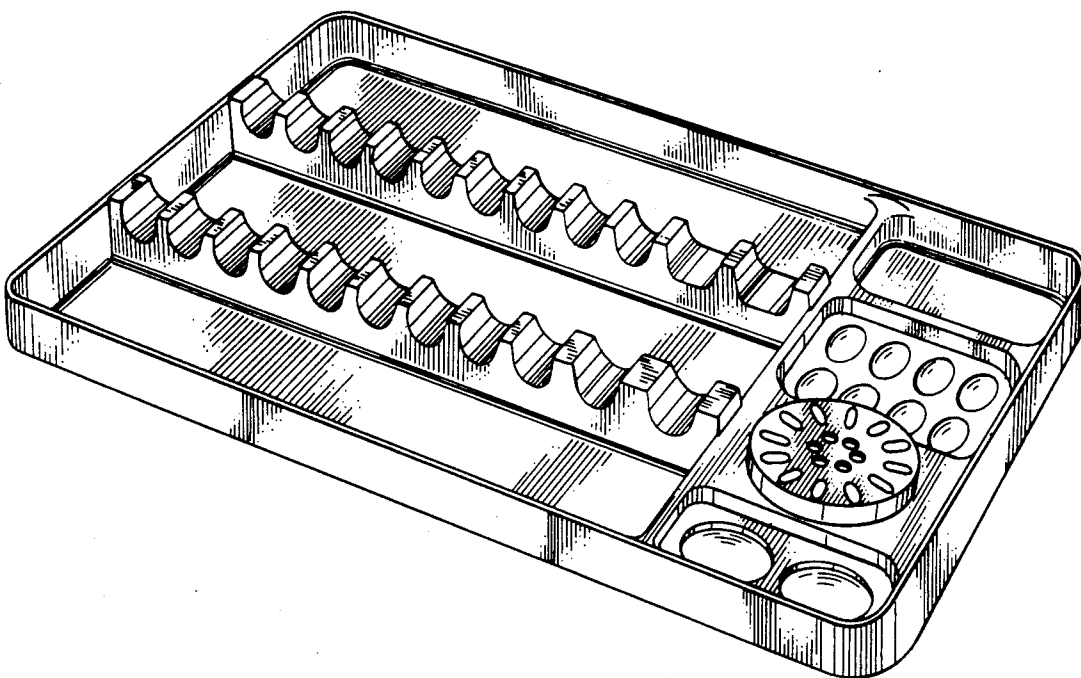


FIG. 1

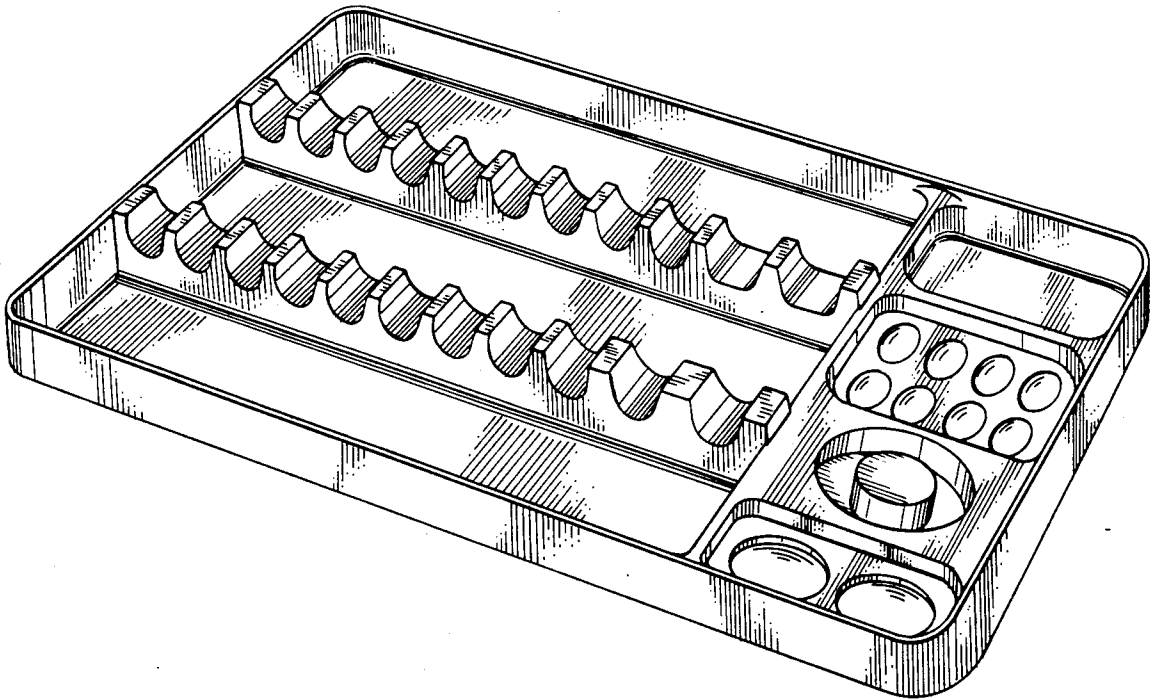


FIG. 2

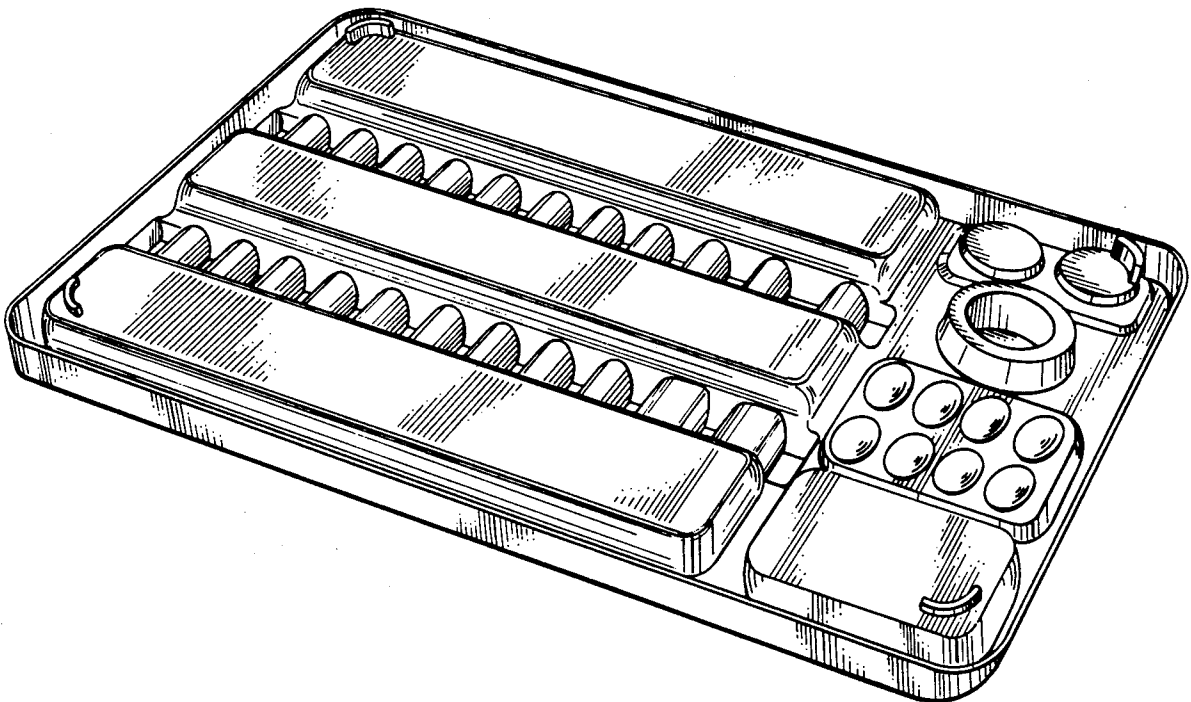


FIG. 3

