

(19) World Intellectual Property Organization
International Bureau



(43) International Publication Date
24 January 2002 (24.01.2002)

PCT

(10) International Publication Number
WO 02/07165 A3

(51) International Patent Classification⁷: **G11B 33/04**

(21) International Application Number: PCT/US01/22717

(22) International Filing Date: 18 July 2001 (18.07.2001)

(25) Filing Language: English

(26) Publication Language: English

(30) Priority Data:
60/219,238 18 July 2000 (18.07.2000) US

(71) Applicant: **NEXPAK CORPORATION** [US/US]; 6370
Wise Avenue, NW, North Canton, OH 44720 (US).

(72) Inventors: **BYRNE, James, M.**; 8556 Kellydale Street,
NW, Massillon, OH 44646 (US). **JAEB, Michael, S.**;
10336 TR 262, Millersburg, OH 44654 (US). **GAL-
LAGHER, Christopher, G.**; 7 Mayfield Avenue, Akron,
OH 44313 (US).

(74) Agents: **SEBOLT, Joseph, A.** et al.; Sand & Sebolt, Aston
Park Professional Centre, 4801 Dressler Road, NW, Suite
194, Canton, OH 44718 (US).

(81) Designated States (*national*): AE, AG, AL, AM, AT, AU,
AZ, BA, BB, BG, BR, BY, BZ, CA, CH, CN, CO, CR, CU,
CZ, DE, DK, DM, DZ, EE, ES, FI, GB, GD, GE, GH, GM,
HR, HU, ID, IL, IN, IS, JP, KE, KG, KP, KR, KZ, LC, LK,
LR, LS, LT, LU, LV, MA, MD, MG, MK, MN, MW, MX,
MZ, NO, NZ, PL, PT, RO, RU, SD, SE, SG, SI, SK, SL,
TJ, TM, TR, TT, TZ, UA, UG, UZ, VN, YU, ZA, ZW.

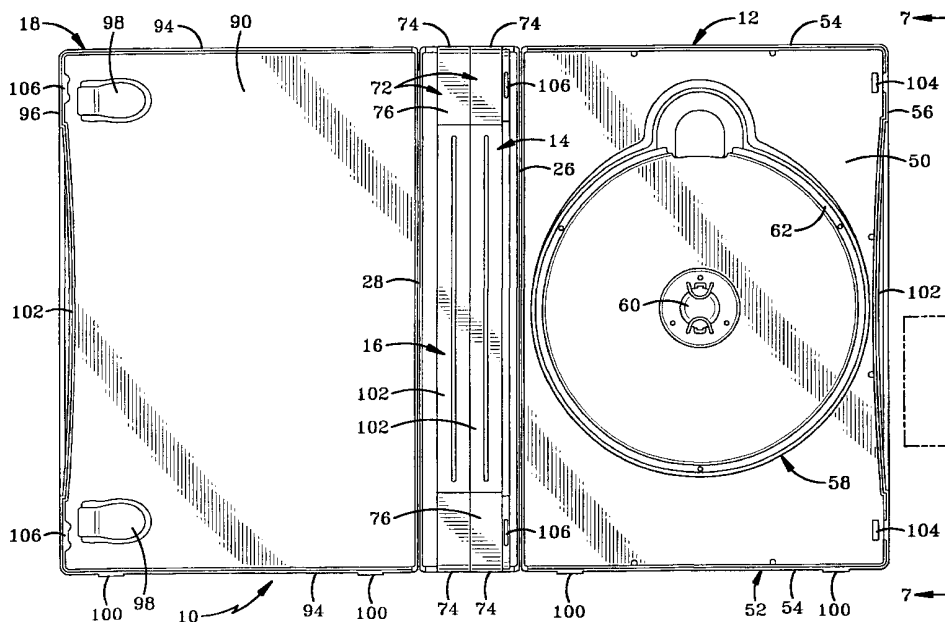
(84) Designated States (*regional*): ARIPO patent (GH, GM,
KE, LS, MW, MZ, SD, SL, SZ, TZ, UG, ZW), Eurasian
patent (AM, AZ, BY, KG, KZ, MD, RU, TJ, TM), European
patent (AT, BE, CH, CY, DE, DK, ES, FI, FR, GB, GR, IE,
IT, LU, MC, NL, PT, SE, TR), OAPI patent (BF, BJ, CF,
CG, CI, CM, GA, GN, GQ, GW, ML, MR, NE, SN, TD,
TG).

Published:
— with international search report

(88) Date of publication of the international search report:
23 May 2002

[Continued on next page]

(54) Title: STORAGE CONTAINER FOR RECORDED MEDIA



(57) Abstract: A media storage container includes a hinge wall with base and lid pages hingedly connected to the hinge wall. The base page is adapted to hold a first item of recorded media. A first primary page is connected to the hinge wall. The first primary page is adapted to hold a second item of recorded media. A first secondary page is carried by the first primary page. The first secondary page being adapted to hold a third item of recorded media. The hubs on the primary and secondary pages are offset so that they overlap and help each other to hold discs on the pages.



WO 02/07165 A3



For two-letter codes and other abbreviations, refer to the "Guidance Notes on Codes and Abbreviations" appearing at the beginning of each regular issue of the PCT Gazette.

INTERNATIONAL SEARCH REPORT

International Application No

PC1/US 01/22717

A. CLASSIFICATION OF SUBJECT MATTER IPC 7 G11B33/04		
According to International Patent Classification (IPC) or to both national classification and IPC		
B. FIELDS SEARCHED		
Minimum documentation searched (classification system followed by classification symbols) IPC 7 G11B		
Documentation searched other than minimum documentation to the extent that such documents are included in the fields searched		
Electronic data base consulted during the international search (name of data base and, where practical, search terms used) EPO-Internal		
C. DOCUMENTS CONSIDERED TO BE RELEVANT		
Category °	Citation of document, with indication, where appropriate, of the relevant passages	Relevant to claim No.
X A X A	US 5 477 960 A (CHEN HSIEN-TA) 26 December 1995 (1995-12-26) column 2, line 45 -column 3, line 25 --- US 5 697 498 A (MARSILIO RONALD M ET AL) 16 December 1997 (1997-12-16) column 4, line 35 -column 7, line 60 -----	1,22,23 2-21 1,22,23 2-21
<input type="checkbox"/> Further documents are listed in the continuation of box C.		
<input checked="" type="checkbox"/> Patent family members are listed in annex.		
° Special categories of cited documents :		
A document defining the general state of the art which is not considered to be of particular relevance *E* earlier document but published on or after the international filing date *L* document which may throw doubts on priority claim(s) or which is cited to establish the publication date of another citation or other special reason (as specified) *O* document referring to an oral disclosure, use, exhibition or other means *P* document published prior to the international filing date but later than the priority date claimed	*T* later document published after the international filing date or priority date and not in conflict with the application but cited to understand the principle or theory underlying the invention *X* document of particular relevance; the claimed invention cannot be considered novel or cannot be considered to involve an inventive step when the document is taken alone *Y* document of particular relevance; the claimed invention cannot be considered to involve an inventive step when the document is combined with one or more other such documents, such combination being obvious to a person skilled in the art. *&* document member of the same patent family	
Date of the actual completion of the international search <p style="text-align: center;">24 January 2002</p>	Date of mailing of the international search report <p style="text-align: center;">31/01/2002</p>	
Name and mailing address of the ISA European Patent Office, P.B. 5818 Patentlaan 2 NL - 2280 HV Rijswijk Tel. (+31-70) 340-2040, Tx. 31 651 epo nl, Fax: (+31-70) 340-3016	Authorized officer <p style="text-align: center;">Ressenaar, J-P</p>	

INTERNATIONAL SEARCH REPORT

Information on patent family members

International Application No

PCT/US 01/22717

Patent document cited in search report	Publication date	Patent family member(s)	Publication date
US 5477960	A	26-12-1995	NONE
US 5697498	A	16-12-1997	NONE