

(19) World Intellectual Property Organization
International Bureau



(43) International Publication Date
16 April 2009 (16.04.2009)

PCT

(10) International Publication Number
WO 2009/048754 A3

(51) International Patent Classification:
H04W 36/18 (2009.01)

(21) International Application Number:
PCT/US2008/077935

(22) International Filing Date:
26 September 2008 (26.09.2008)

(25) Filing Language: English

(26) Publication Language: English

(30) Priority Data:
60/973,041 17 September 2007 (17.09.2007) US
12/208,764 11 September 2008 (11.09.2008) US

(71) Applicant (for all designated States except US): QUALCOMM INCORPORATED [US/US]; Attn: International IP Administration, 5775 Morehouse Drive, San Diego, California 92121 (US).

(72) Inventors; and

(75) Inventors/Applicants (for US only): XING, Helen, Jun [CN/US]; 5775 Morehouse Drive, San Diego, California 92121 (US). KHAN, Muhammad, Khawar, R. [US/US]; 5775 Morehouse Drive, San Diego, California 92121 (US). ALNATSHEH, Rami, H. [JO/US]; 5775 Morehouse Drive, San Diego, California 92121 (US). CHIRALA, Ramesh, Chandra [IN/US]; 5775 Morehouse Drive, San Diego, California 92121 (US). BHAT-TACHARJEE, Supratik [IN/US]; 5775 Morehouse Drive, San Diego, California 92121 (US).

(74) Agent: SIMON, Darren, M.; Attn: International IP Administration, 5775 Morehouse Drive, San Diego, California 92121 (US).

(81) Designated States (unless otherwise indicated, for every kind of national protection available): AE, AG, AL, AM, AO, AT, AU, AZ, BA, BB, BG, BH, BR, BW, BY, BZ, CA, CH, CN, CO, CR, CU, CZ, DE, DK, DM, DO, DZ, EC, EE, EG, ES, FI, GB, GD, GE, GH, GM, GT, HN, HR, HU, ID, IL, IN, IS, JP, KE, KG, KM, KN, KP, KR, KZ, LA, LC, LK, LR, LS, LT, LU, LY, MA, MD, ME, MG, MK, MN, MW, MX, MY, MZ, NA, NG, NI, NO, NZ, OM, PG, PH, PL, PT, RO, RS, RU, SC, SD, SE, SG, SK, SL, SM, ST, SV, SY, TJ, TM, TN, TR, TT, TZ, UA, UG, US, UZ, VC, VN, ZA, ZM, ZW.

(84) Designated States (unless otherwise indicated, for every kind of regional protection available): ARIPO (BW, GH, GM, KE, LS, MW, MZ, NA, SD, SL, SZ, TZ, UG, ZM, ZW), Eurasian (AM, AZ, BY, KG, KZ, MD, RU, TJ, TM), European (AT, BE, BG, CH, CY, CZ, DE, DK, EE, ES, FI, FR, GB, GR, HR, HU, IE, IS, IT, LT, LU, LV, MC, MT, NL, NO, PL, PT, RO, SE, SI, SK, TR), OAPI (BF, BJ, CF, CG, CI, CM, GA, GN, GQ, GW, ML, MR, NE, SN, TD, TG).

Declarations under Rule 4.17:

- as to applicant's entitlement to apply for and be granted a patent (Rule 4.17(ii))
- as to the applicant's entitlement to claim the priority of the earlier application (Rule 4.17(iii))

Published:

- with international search report (Art. 21(3))
- before the expiration of the time limit for amending the claims and to be republished in the event of receipt of amendments (Rule 48.2(h))

[Continued on next page]

(54) Title: METHOD AND APPARATUS FOR NEIGHBOR LIST UPDATES

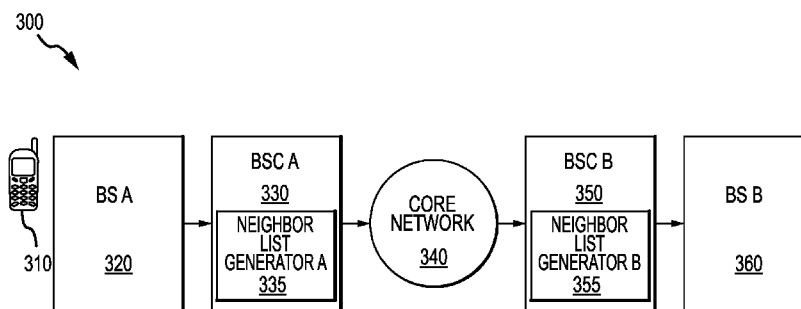


FIG.3

(57) Abstract: An apparatus and method for maintaining information during neighbor list updates comprising acquiring information of a first plurality of GSM neighbor cells; recording and keeping the information for a time period T; receiving a second plurality of GSM neighbor cells; comparing the second plurality of GSM neighbor cells with the first plurality of GSM cells in the record; if a GSM neighbor cell from the second plurality of GSM neighbor cells is not in the record, gathering information pertaining to the GSM neighbor cell; and if at least one GSM neighbor cell from the second plurality of GSM neighbor cells is in the record, determining if the age of the information pertaining to the at least one GSM neighbor cell is less than the time period T and if less than T, locating the at least one GSM neighbor cell.

WO 2009/048754 A3

— *with information concerning request for restoration of the right of priority in respect of one or more priority claims (Rules 26bis.3 and 48.2(b)(vii))*

(88) Date of publication of the international search report:
13 August 2009

INTERNATIONAL SEARCH REPORT

International application No
PCT/US2008/077935

A. CLASSIFICATION OF SUBJECT MATTER INV. H04W36/18		
According to International Patent Classification (IPC) or to both national classification and IPC		
B. FIELDS SEARCHED		
Minimum documentation searched (classification system followed by classification symbols) H04W		
Documentation searched other than minimum documentation to the extent that such documents are included in the fields searched		
Electronic data base consulted during the international search (name of data base and, where practical, search terms used) EPO-Internal, WPI Data		
C. DOCUMENTS CONSIDERED TO BE RELEVANT		
Category*	Citation of document, with indication, where appropriate, of the relevant passages	Relevant to claim No.
A	WO 2005/101890 A1 (ERICSSON TELEFON AB L M [SE]; ANDERSSON YNGVE [SE]; MILEN ANDERS [SE]) 27 October 2005 (2005-10-27) abstract page 5, line 10 - page 6, line 17 page 7, line 5 - line 8	1-20
A	US 2003/081571 A1 (HUR SEONG-HO [KR]) 1 May 2003 (2003-05-01) paragraph [0006] paragraph [0009] paragraph [0014] - paragraph [0015]	1-20
A,P	JP 2008 219645 A (MITSUBISHI ELECTRIC CORP) 18 September 2008 (2008-09-18) paragraph [0024] - paragraph [0027] paragraph [0084] - paragraph [0085]	1-20
<input type="checkbox"/> Further documents are listed in the continuation of Box C. <input checked="" type="checkbox"/> See patent family annex.		
* Special categories of cited documents :		
A document defining the general state of the art which is not considered to be of particular relevance *E* earlier document but published on or after the international filing date *L* document which may throw doubts on priority claim(s) or which is cited to establish the publication date of another citation or other special reason (as specified) *O* document referring to an oral disclosure, use, exhibition or other means *P* document published prior to the international filing date but later than the priority date claimed		*T* later document published after the international filing date or priority date and not in conflict with the application but cited to understand the principle or theory underlying the invention *X* document of particular relevance; the claimed invention cannot be considered novel or cannot be considered to involve an inventive step when the document is taken alone *Y* document of particular relevance; the claimed invention cannot be considered to involve an inventive step when the document is combined with one or more other such documents, such combination being obvious to a person skilled in the art. *&* document member of the same patent family
Date of the actual completion of the international search 16 June 2009		Date of mailing of the international search report 25/06/2009
Name and mailing address of the ISA/ European Patent Office, P.B. 5818 Patentlaan 2 NL - 2280 HV Rijswijk Tel. (+31-70) 340-2040, Fax: (+31-70) 340-3016		Authorized officer Larcinese, Concetta

INTERNATIONAL SEARCH REPORT

Information on patent family members

International application No

PCT/US2008/077935

Patent document cited in search report	Publication date	Patent family member(s)	Publication date
WO 2005101890	A1 27-10-2005	CN 1939078 A EP 1738605 A1 US 2007207822 A1	28-03-2007 03-01-2007 06-09-2007
US 2003081571	A1 01-05-2003	KR 20030034830 A	09-05-2003
JP 2008219645	A 18-09-2008	NONE	