



(43) International Publication Date  
3 December 2015 (03.12.2015)

- (51) International Patent Classification:  
*E21B 11/00* (2006.01)
- (21) International Application Number:  
PCT/NZ2015/000038
- (22) International Filing Date:  
18 May 2015 (18.05.2015)
- (25) Filing Language: English
- (26) Publication Language: English
- (30) Priority Data:  
625720 30 May 2014 (30.05.2014) NZ  
708019 12 May 2015 (12.05.2015) NZ
- (72) Inventor; and  
(71) Applicant : SANDERS, Ernest [NZ/NZ]; 42 Seifert Road, Tauhei, RD5, Morrinsville, 3375 (NZ).
- (74) Agent: TEMPLE, Paul; Remarkable IP, P.O.Box 207, Queenstown, 9348 (NZ).
- (81) Designated States (*unless otherwise indicated, for every kind of national protection available*): AE, AG, AL, AM, AO, AT, AU, AZ, BA, BB, BG, BH, BN, BR, BW, BY, BZ, CA, CH, CL, CN, CO, CR, CU, CZ, DE, DK, DM, DO, DZ, EC, EE, EG, ES, FI, GB, GD, GE, GH, GM, GT,

HN, HR, HU, ID, IL, IN, IR, IS, JP, KE, KG, KN, KP, KR, KZ, LA, LC, LK, LR, LS, LU, LY, MA, MD, ME, MG, MK, MN, MW, MX, MY, MZ, NA, NG, NI, NO, NZ, OM, PA, PE, PG, PH, PL, PT, QA, RO, RS, RU, RW, SA, SC, SD, SE, SG, SK, SL, SM, ST, SV, SY, TH, TJ, TM, TN, TR, TT, TZ, UA, UG, US, UZ, VC, VN, ZA, ZM, ZW.

(84) Designated States (*unless otherwise indicated, for every kind of regional protection available*): ARIPO (BW, GH, GM, KE, LR, LS, MW, MZ, NA, RW, SD, SL, ST, SZ, TZ, UG, ZM, ZW), Eurasian (AM, AZ, BY, KG, KZ, RU, TJ, TM), European (AL, AT, BE, BG, CH, CY, CZ, DE, DK, EE, ES, FI, FR, GB, GR, HR, HU, IE, IS, IT, LT, LU, LV, MC, MK, MT, NL, NO, PL, PT, RO, RS, SE, SI, SK, SM, TR), OAPI (BF, BJ, CF, CG, CI, CM, GA, GN, GQ, GW, KM, ML, MR, NE, SN, TD, TG).

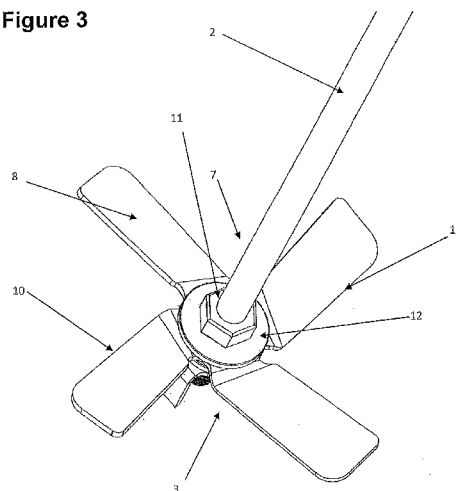
**Published:**

- with international search report (Art. 21(3))
- before the expiration of the time limit for amending the claims and to be republished in the event of receipt of amendments (Rule 48.2(h))

(88) Date of publication of the international search report:  
27 October 2016

(54) Title: A GROUND WORKING APPARATUS

Figure 3



(57) Abstract: A ground working apparatus with attaches to a hand held drilling machine is provided. The apparatus has a rotatable shaft and a rotatable stabilising tip, blades and tines. The apparatus produces a cutting and digging action which enables the user to perform a wide variety of tasks both above the ground and below the ground.



## INTERNATIONAL SEARCH REPORT

International application No.

PCT/NZ 15/00038

| <b>A. CLASSIFICATION OF SUBJECT MATTER</b><br>IPC(8) - E21B11/00 (2016.01)<br>CPC - A01B1/065<br>According to International Patent Classification (IPC) or to both national classification and IPC   |  |  |
|--|--|--|
| <b>B. FIELDS SEARCHED</b><br>Minimum documentation searched (classification system followed by classification symbols)<br>IPC (8): E21B11/00 (2016.01)<br>CPC: A01B1/065<br>Documentation searched other than minimum documentation to the extent that such documents are included in the fields searched<br>IPC (8): E21B11/00, A01B13/08, A01B3/74, A01D3/73, (2016.01)<br>CPC: A01B33/027, A01D34/73, A01C5/02, E02F3/20, B662D51/06 (keyword limited; terms below)   |  |  |
| Electronic data base consulted during the international search (name of data base and, where practicable, search terms used)<br>Google; Google Patent; PatBase. Search terms used: shaft blade tine tip drill ground-working apparatus disc soil power weed whacker four dibble mower hand held rotary cultivator stability multiple   |  |  |
| <b>C. DOCUMENTS CONSIDERED TO BE RELEVANT</b>  |  |  |
| Category*  | Citation of document, with indication, where appropriate, of the relevant passages   | Relevant to claim No.  |
| X  | US 6,352,122 B1 (LOVE) 05 March 2002 (05.03.2002), entire document, especially Fig. 1 and col 3 ln 13-39, col 3 ln 54-56, col 4 ln 5-8, col 4 ln 21-33.                    | 1-2, 9, 11-12, 15, 17  |
| X  | UD 0,054,524 B1 (WILLIAMS) 15 February 2005 (15.02.2005), entire document, especially Figs. 1-3 and 7, col 1 ln 31-36, col 2 ln 16-20, col 2 ln 28-30, and col 2 ln 41-65. | 1, 3-4, 7-8, 13-14, 16, 18-19  |
| --   |  | --   |
| Y  |  | 5-6, 10  |
| Y  | US 3,111,995 A (DAHL) 26 November 1963 (26.11.1963), entire document, especially Figs. 1-3, col 1 ln 70 - col 2 ln 7, and col 2 ln 19-25.                                  | 5-6, 10  |
| A  | US 2006/0070752 A1 (AMOR et al.) 06 April 2006 (06.04.2006), entire document.  | 1-19   |
| A  | US 5,810,093 A (HOWARD) 22 September 1998 (22.09.1998), entire document.   | 1-19   |
| A  | US 4,133,389 A (RUHL et al.) 09 January 1979 (09.01.1979), entire document.  | 1-19   |
| <input type="checkbox"/> Further documents are listed in the continuation of Box C. <input type="checkbox"/>   |  |  |
| * Special categories of cited documents:<br>"A" document defining the general state of the art which is not considered to be of particular relevance<br>"F" earlier application or patent but published on or after the international filing date<br>"L" document which may throw doubts on priority claim(s) or which is cited to establish the publication date of another citation or other special reason (as specified)<br>"O" document referring to an oral disclosure, use, exhibition or other means<br>"P" document published prior to the international filing date but later than the priority date claimed<br>"T" later document published after the international filing date or priority date and not in conflict with the application but cited to understand the principle or theory underlying the invention<br>"X" document of particular relevance; the claimed invention cannot be considered novel or cannot be considered to involve an inventive step when the document is taken alone<br>"Y" document of particular relevance; the claimed invention cannot be considered to involve an inventive step when the document is combined with one or more other such documents, such combination being obvious to a person skilled in the art<br>"&" document member of the same patent family |  |  |
| Date of the actual completion of the international search<br>07 September 2016   |  | Date of mailing of the international search report<br><b>16 SEP 2016</b>                   |
| Name and mailing address of the ISA/US<br>Mail Stop PCT, Attn: ISA/US, Commissioner for Patents<br>P.O. Box 1450, Alexandria, Virginia 22313-1450<br>Facsimile No. 571-273-8300  |  | Authorized officer:<br>Lee W. Young<br>PCT Helpdesk: 571-272-4300<br>PCT OSP: 571-272-7774 |