



US00D346592S

# United States Patent [19]

[11] Patent Number: **Des. 346,592**

High et al.

[45] Date of Patent: **\*\* May 3, 1994**

[54] **PORTABLE COMPUTER HOUSING**

[75] Inventors: **Kenneth A. High; Timothy P. Hiteshew**, both of Cary; **Aubrey L. Hodges**, Creedmoor; **Michael L. King**, Raleigh; **Joseph F. Lamoreux**, Raleigh; **M. Todd Tucker**, Raleigh; **Lawrence A. Stone**, Cary, all of N.C.

[73] Assignee: **International Business Machines Corp.**, Armonk, N.Y.

[\*\*] Term: **14 Years**

[21] Appl. No.: **817,253**

[22] Filed: **Jan. 3, 1992**

[52] U.S. Cl. .... **D14/106**

[58] Field of Search ..... 235/145 A, 145 R;  
340/700, 706; 341/22, 23; 361/390, 394;  
364/708, 709.04; D14/100, 101, 106, 113, 115;  
D18/1, 7, 11, 12

[56] **References Cited**

**U.S. PATENT DOCUMENTS**

D. 310,828	9/1990	Grundstrom et al.	.....	D14/106
D. 312, 248	11/1990	Seki	.....	D14/106
D. 316,706	5/1991	Imamura et al.	.....	D14/106
D. 317,759	6/1991	Azima	.....	D14/106

*Primary Examiner*—Wallace R. Burke

*Assistant Examiner*—Freda S. Nunn

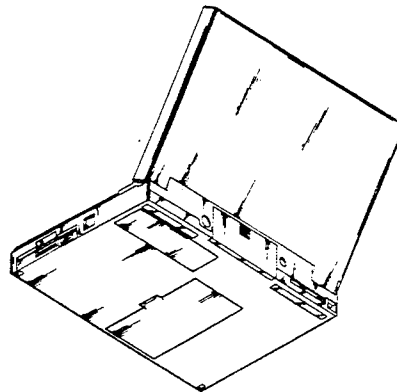
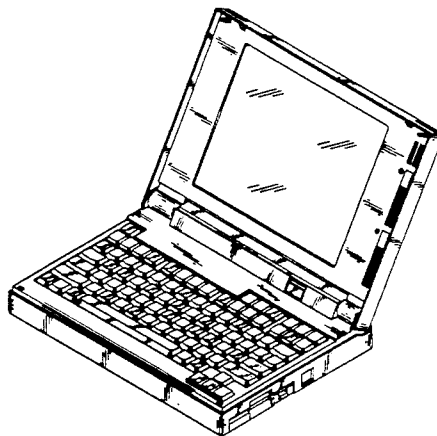
*Attorney, Agent, or Firm*—John J. Timar; Gregory M. Doudnikoff

[57] **CLAIM**

The ornamental design for the portable computer housing, as shown and described.

**DESCRIPTION**

FIG. 1 is a reduced front right side and top perspective view of the portable Computer Housing;  
 FIG. 2 is a rear, right side and bottom perspective view thereof;  
 FIG. 3 is a front elevation view thereof;  
 FIG. 4 is a top plan view thereof;  
 FIG. 5 is a right side elevation view thereof;  
 FIG. 6 is a left side elevation view thereof;  
 FIG. 7 is a rear elevation view thereof;  
 FIG. 8 is a bottom plan view thereof;  
 FIG. 9 is a front, left side and top perspective view thereof;  
 FIG. 10 is a rear, right side and bottom perspective view thereof;  
 FIG. 11 is a front elevation view thereof;  
 FIG. 12 is a rear elevation view thereof;  
 FIG. 13 is a right side elevation view thereof;  
 FIG. 14 is a left side elevation view thereof;  
 FIG. 15 is a top plan view thereof; and,  
 FIG. 16 is a bottom plan view thereof.  
 FIGS. 1-8 show the computer housing with the cover in the open position and FIGS. 9-16 show the cover in the closed position.



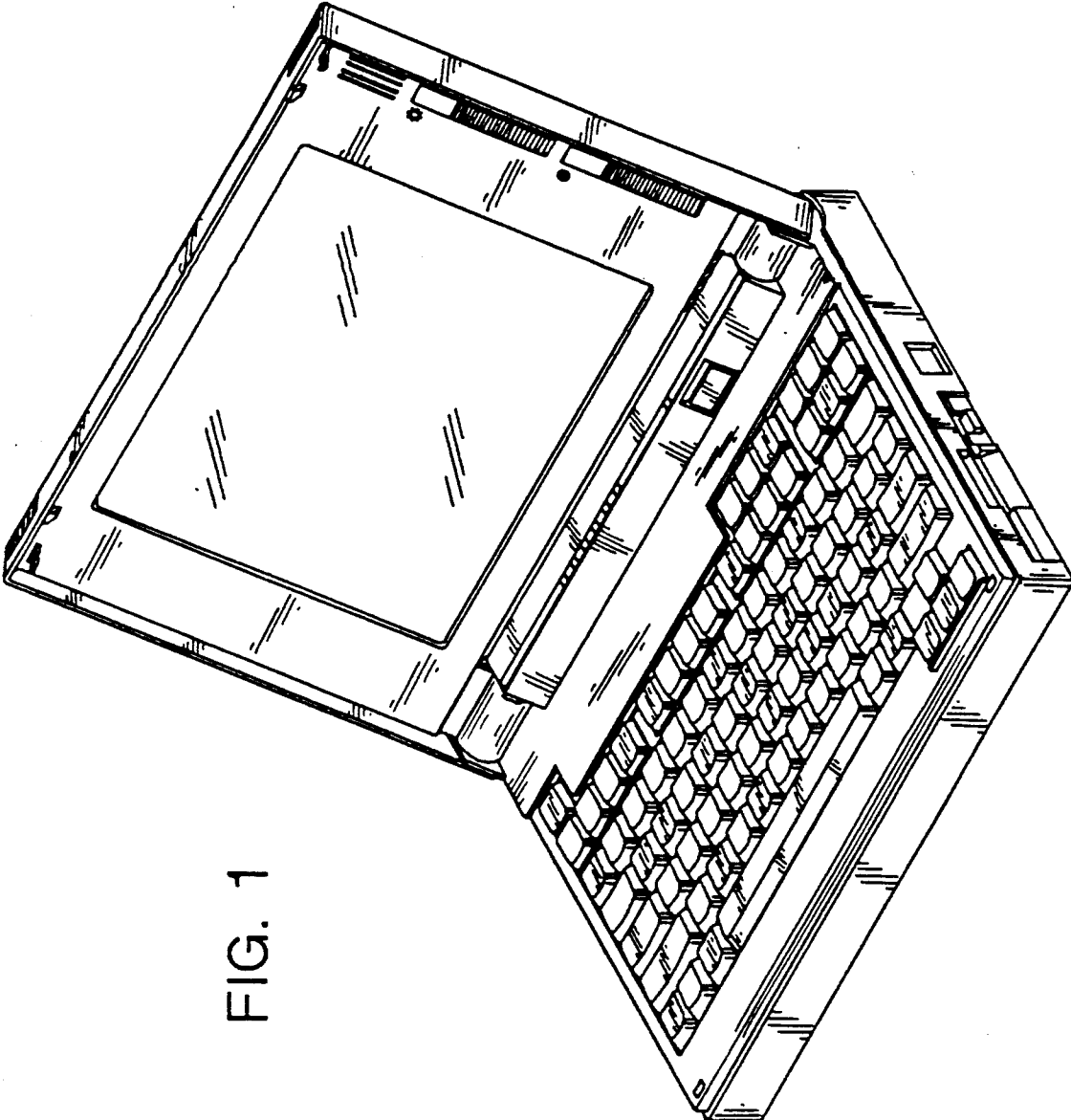


FIG. 1

FIG. 2

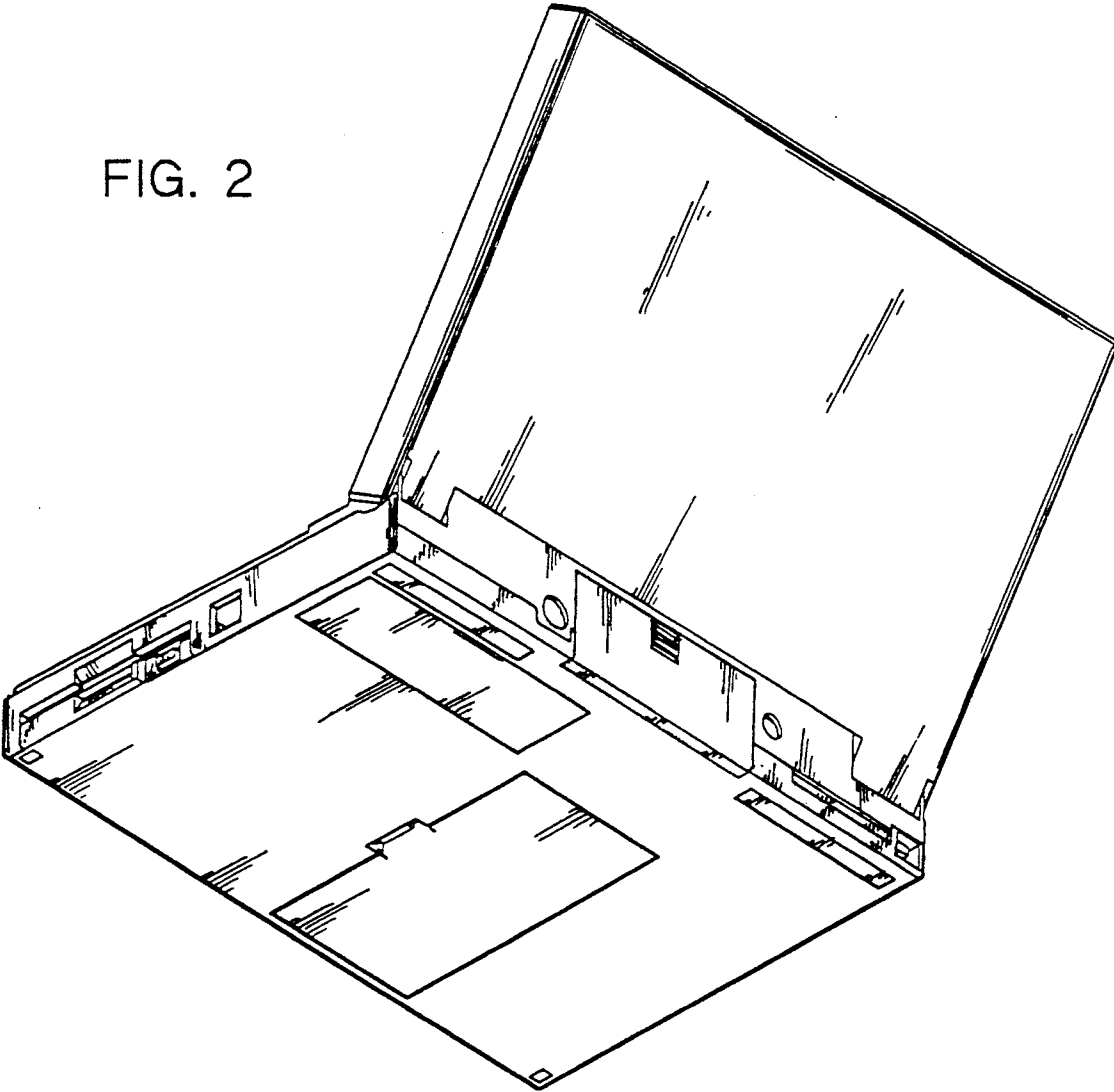


FIG. 3

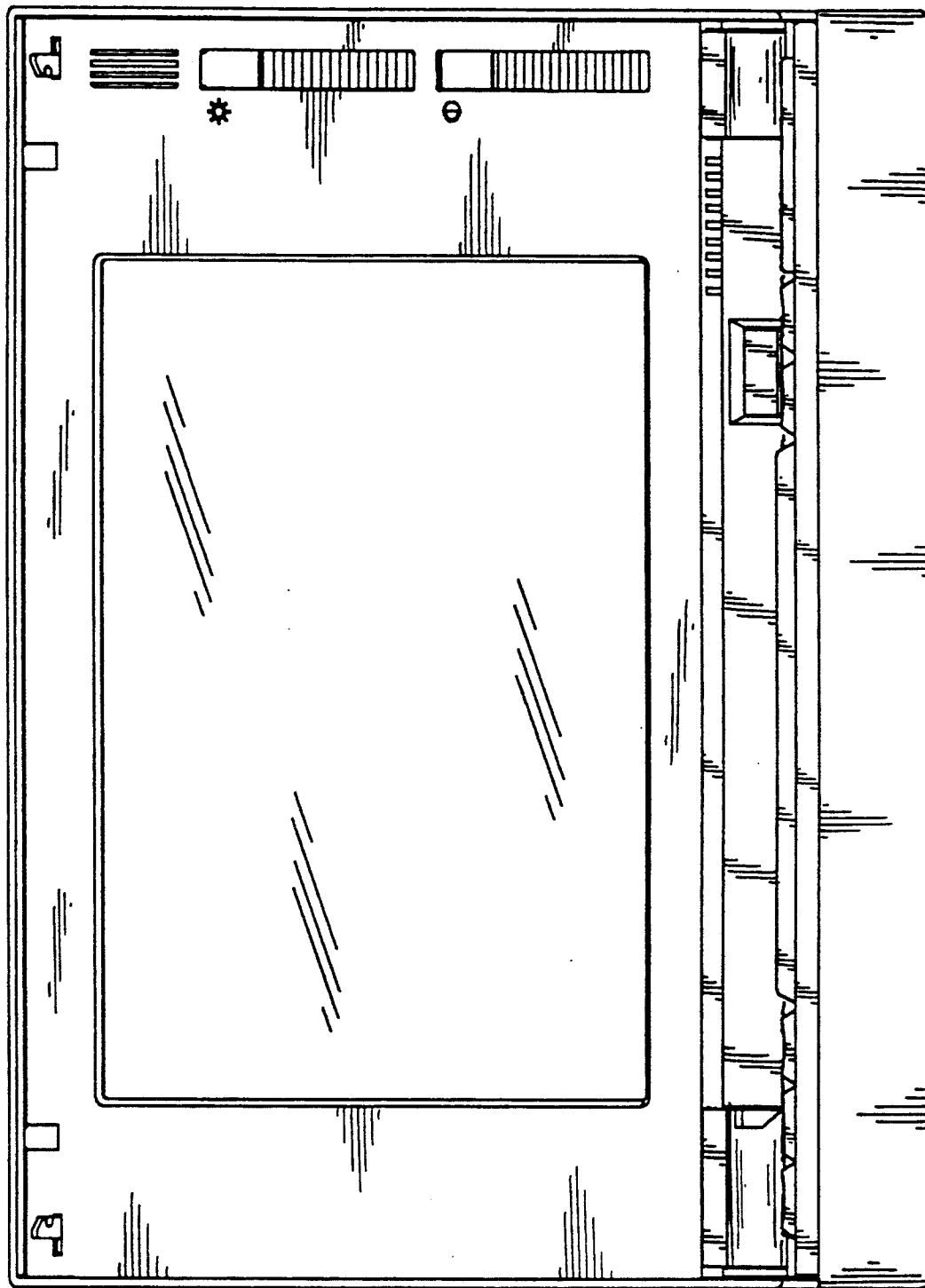
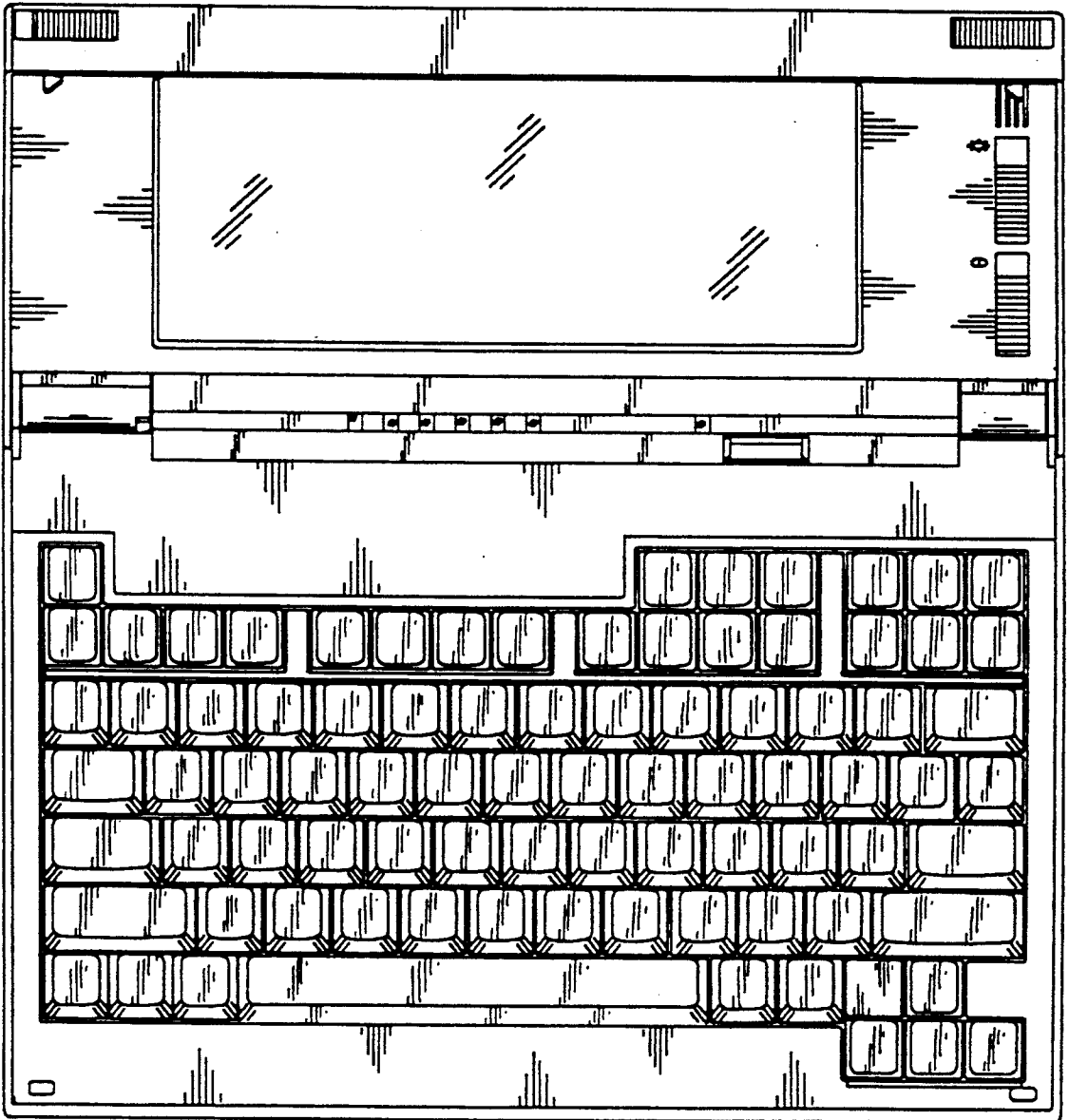


FIG. 4



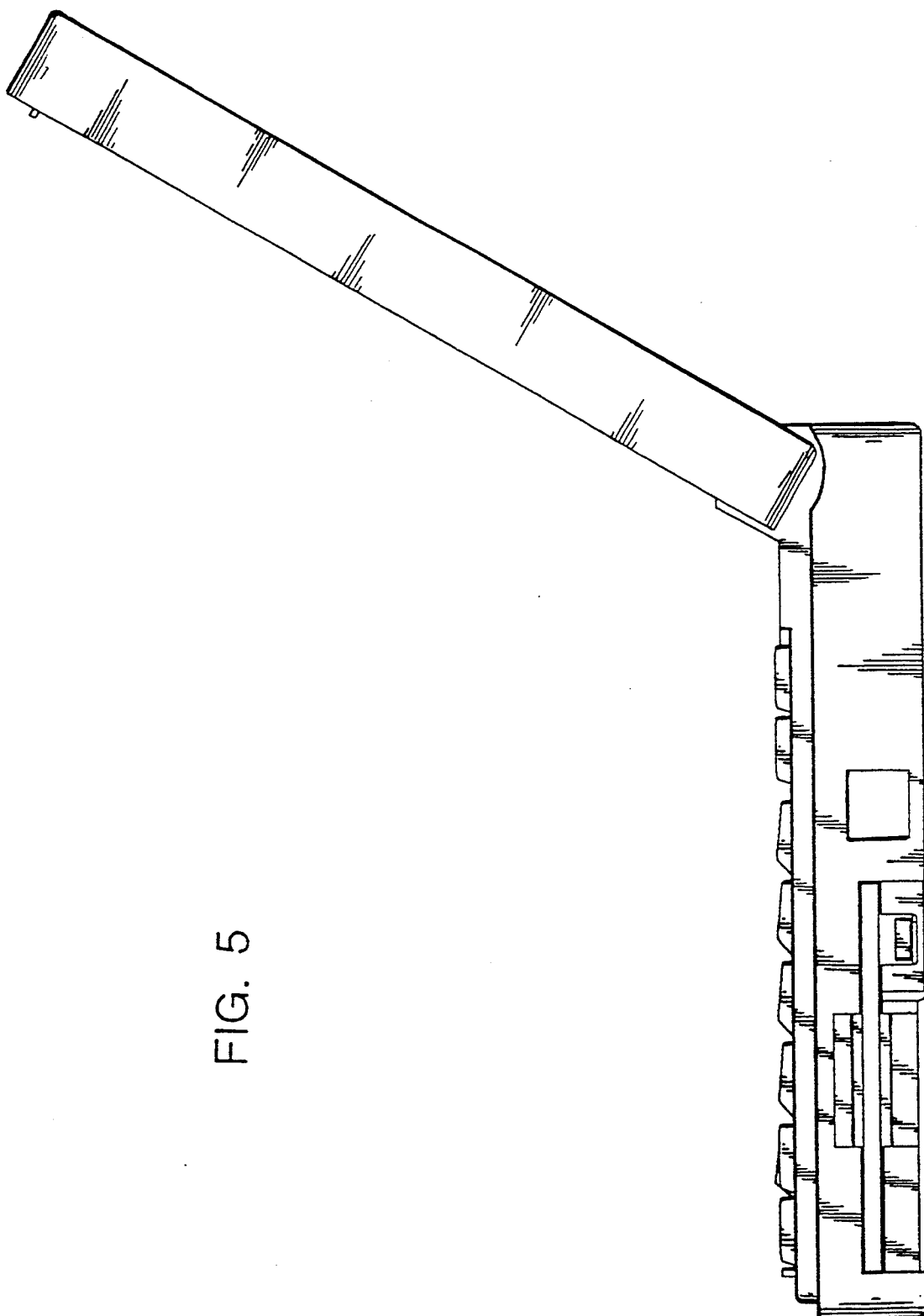
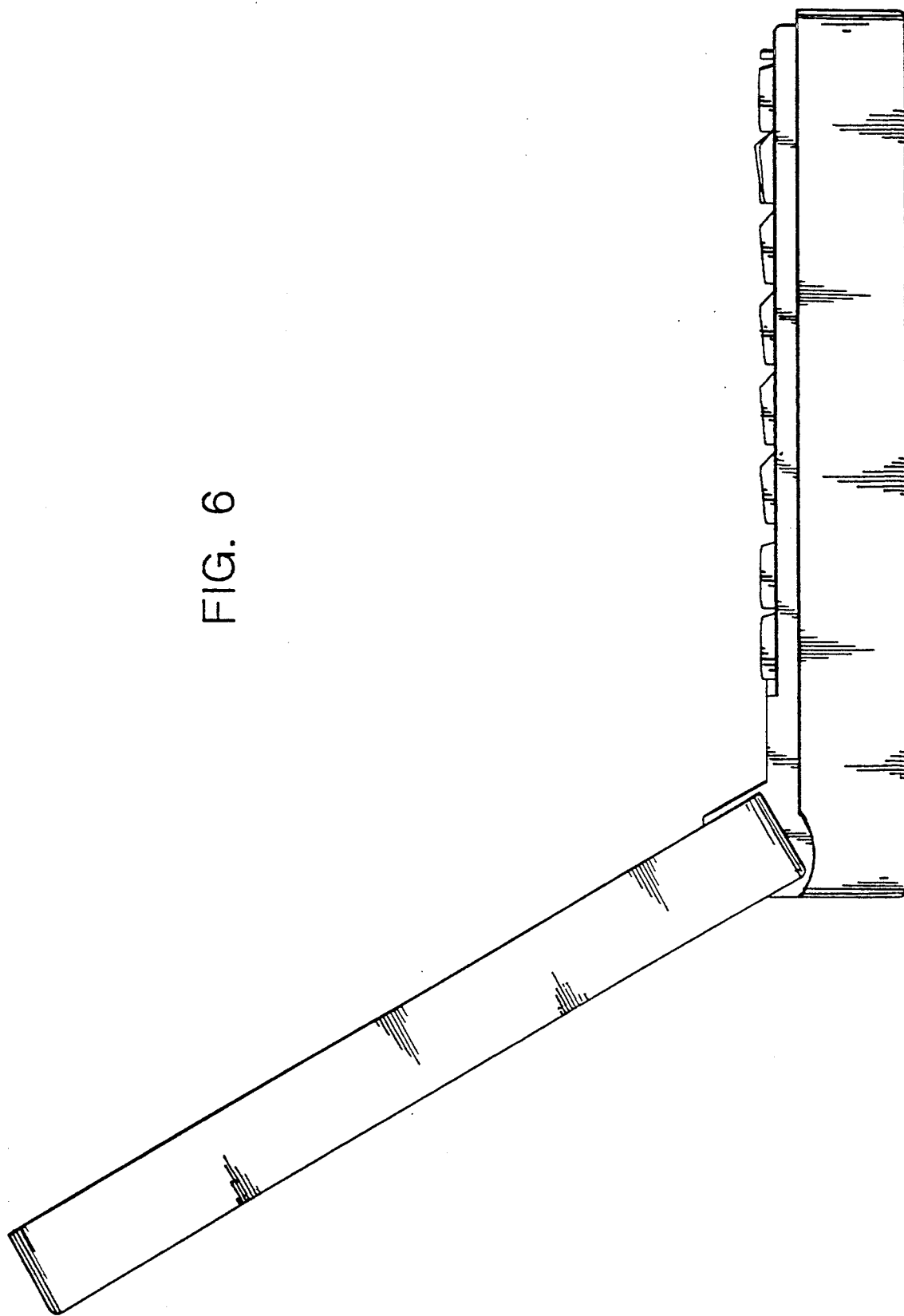


FIG. 5

FIG. 6



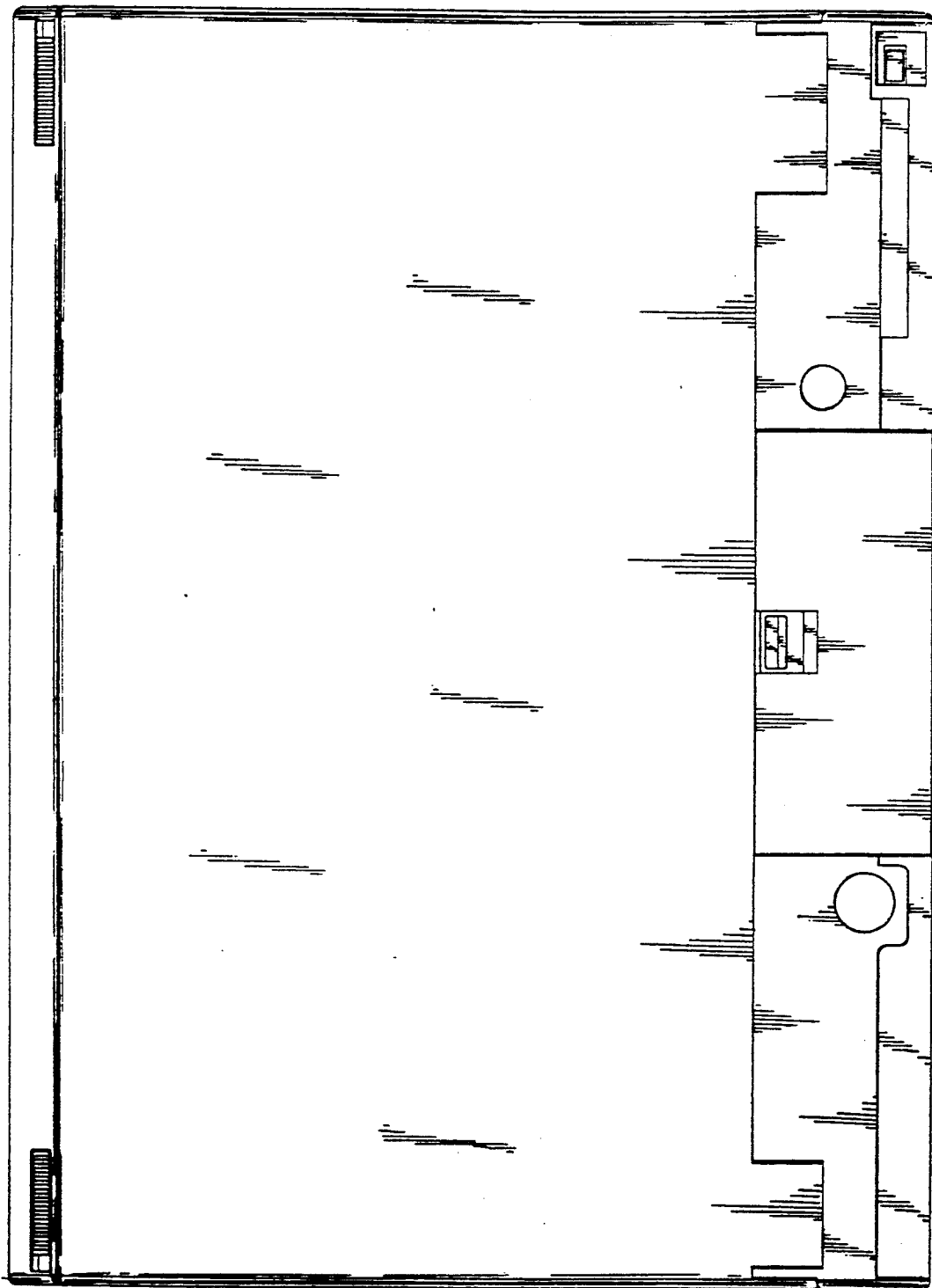
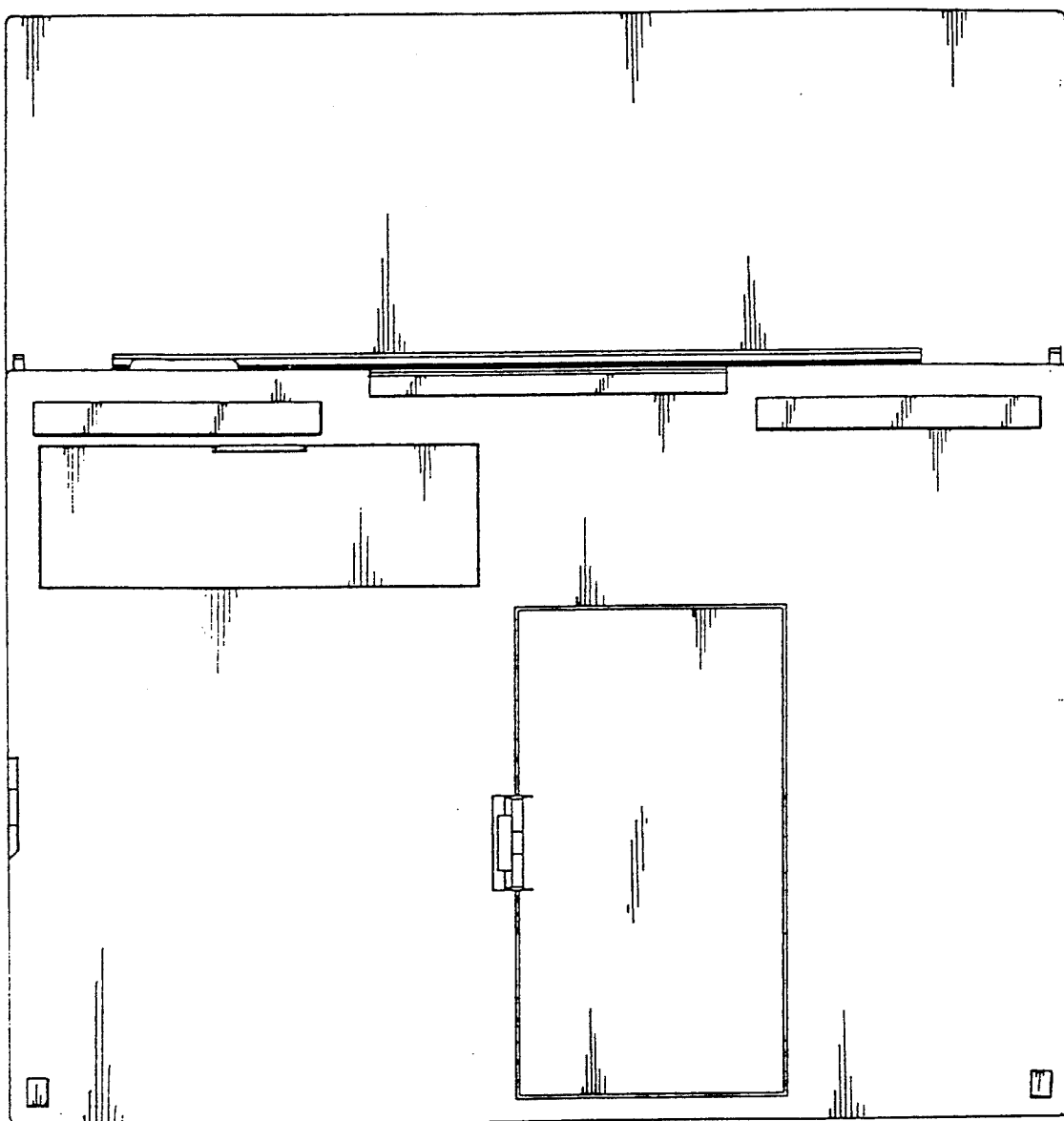


FIG. 7

FIG. 8



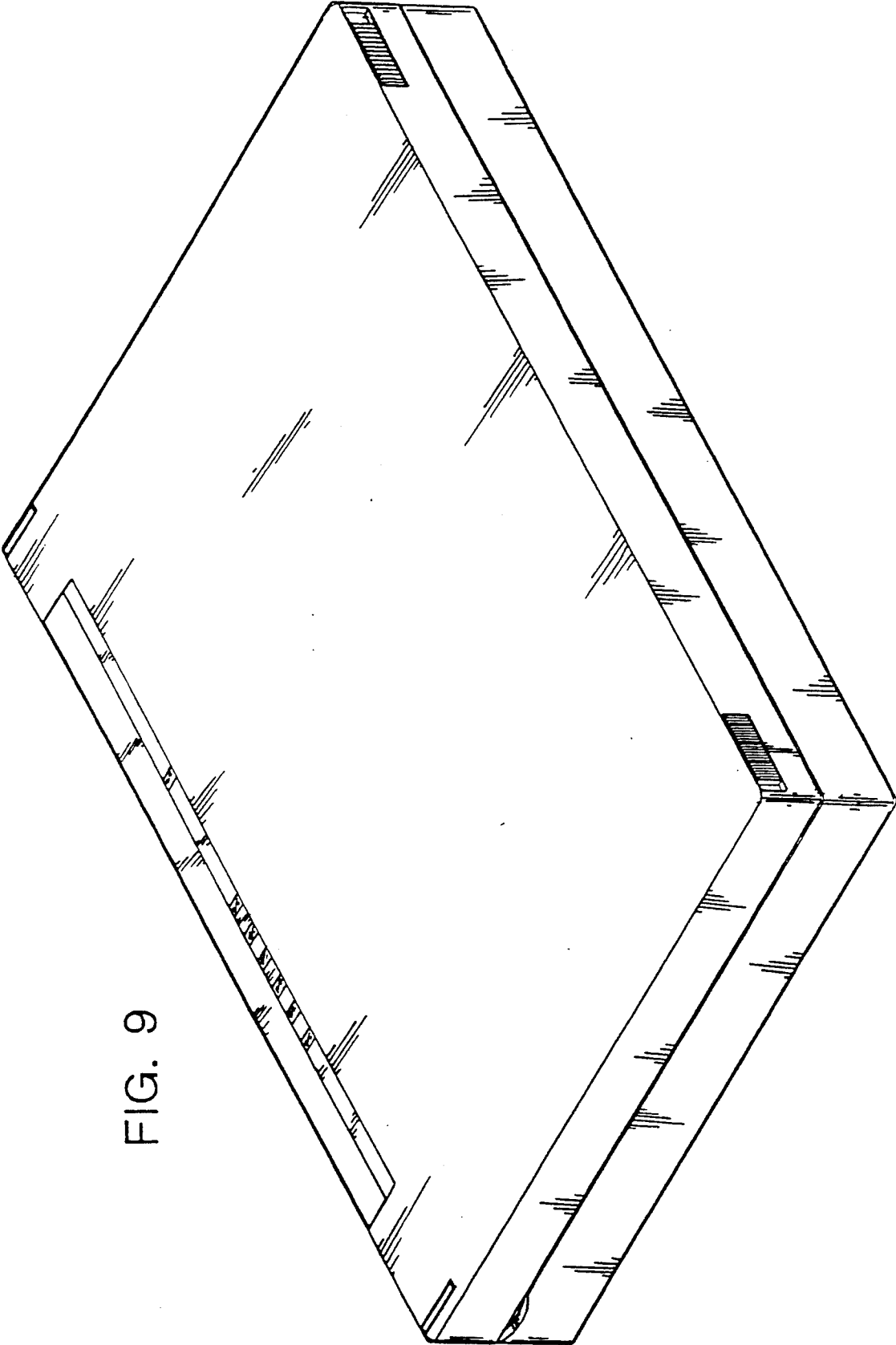


FIG. 9

FIG. 10

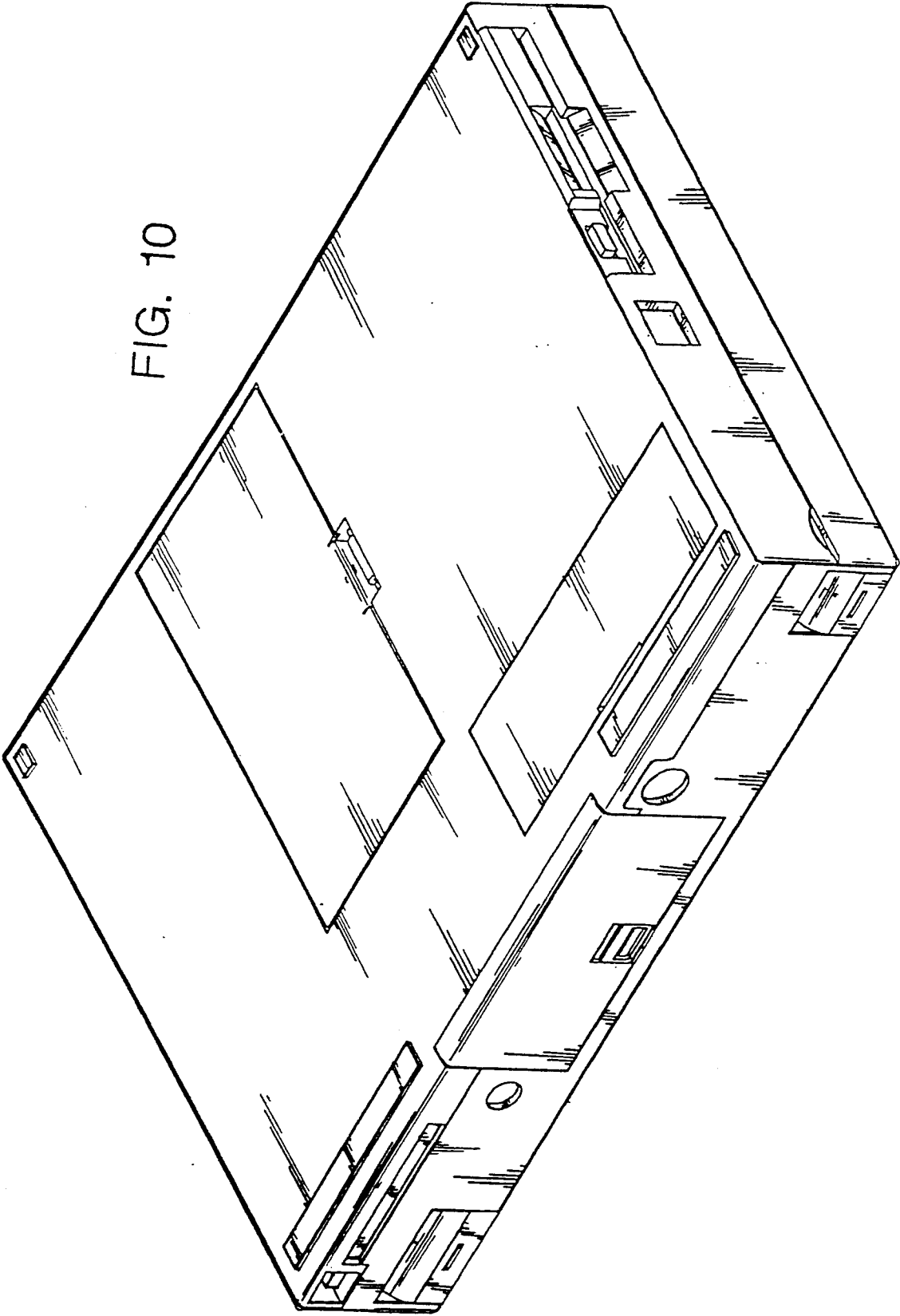


FIG. 11

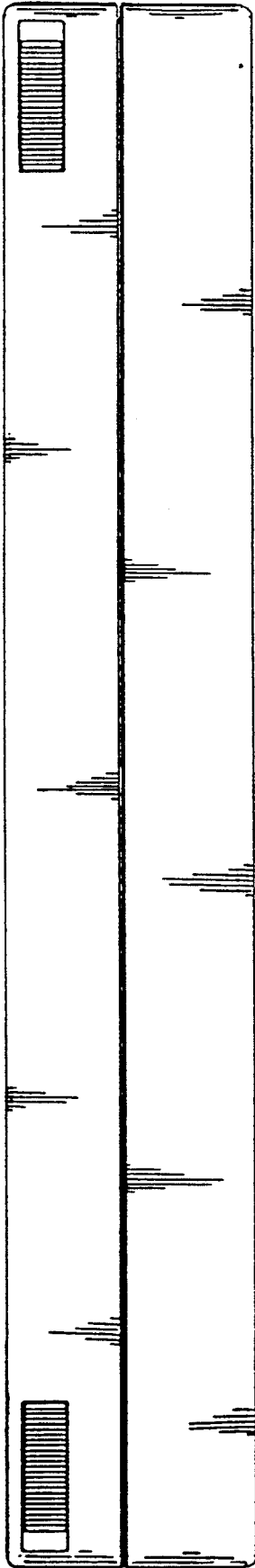


FIG. 12

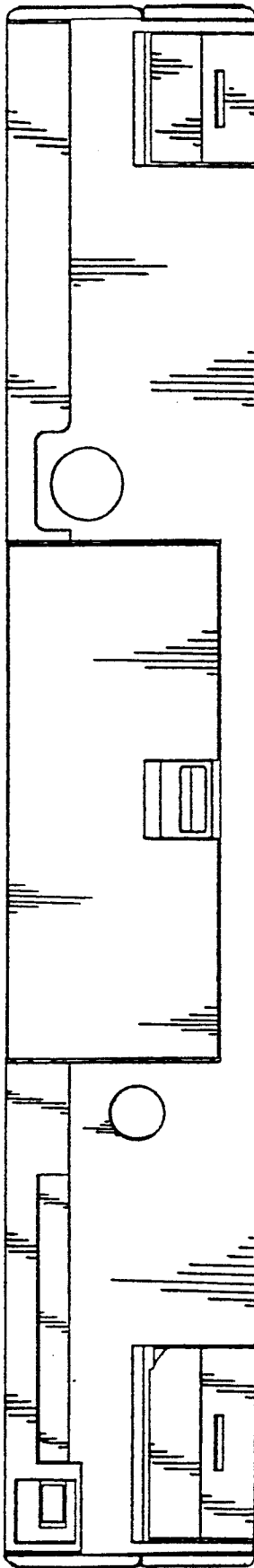


FIG. 13

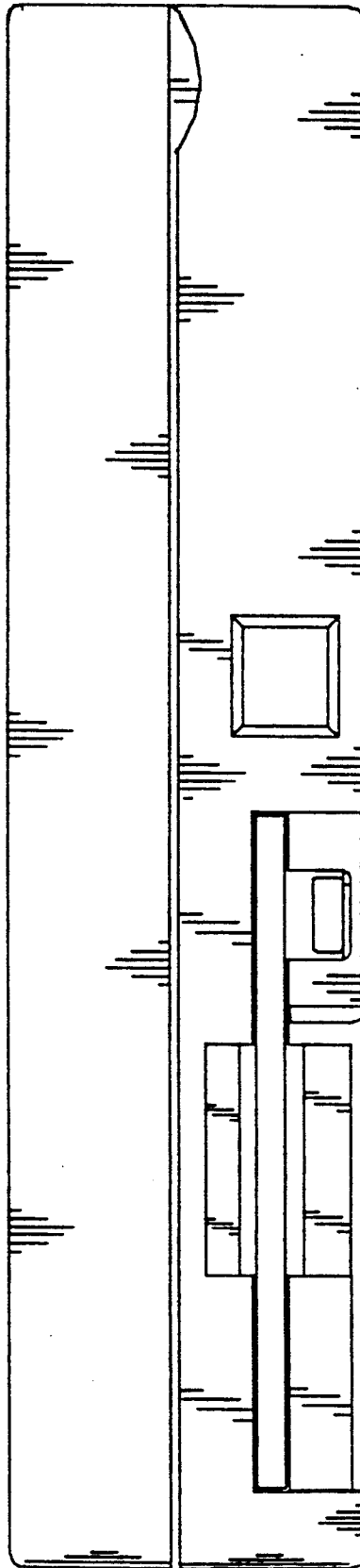
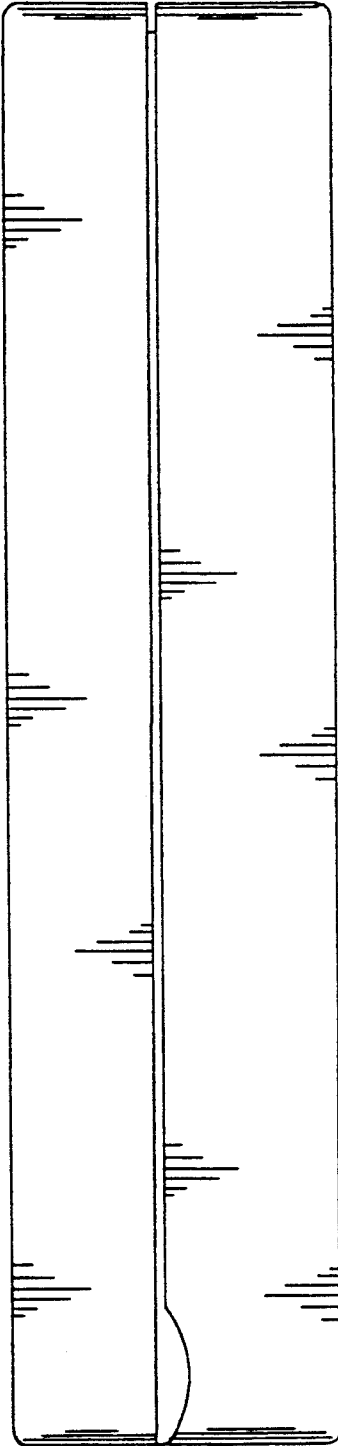


FIG. 14



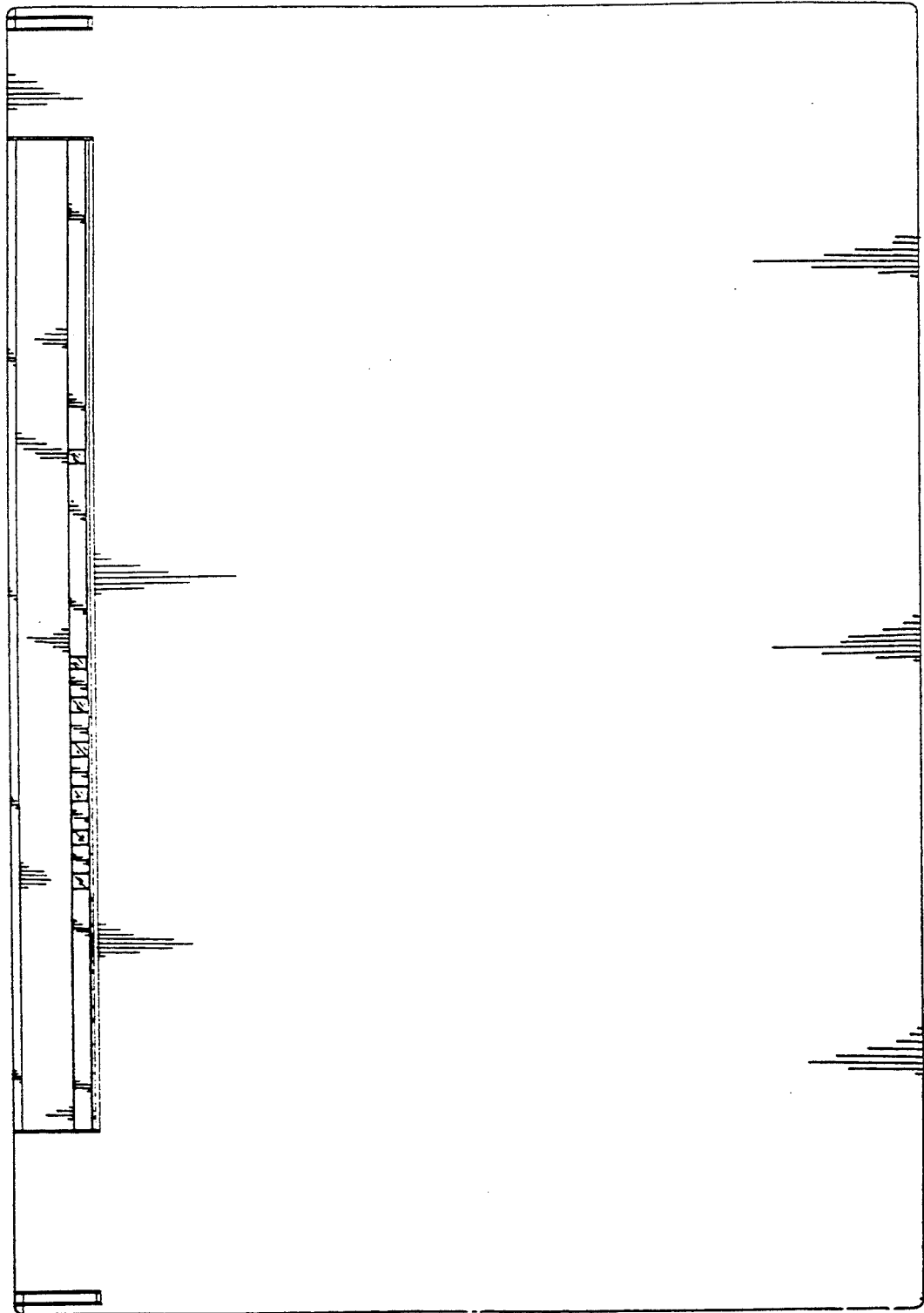


FIG. 15

FIG. 16

