



US00D369296S

United States Patent [19] Park

[11] Patent Number: **Des. 369,296**

[45] Date of Patent: ****Apr. 30, 1996**

[54] **ICE CREAM CONTAINER**

[75] Inventor: **Hyun S. Park**, Kyungki-do, Rep. of Korea

[73] Assignee: **Lotte Confectionery Co., Ltd.**, Seoul, Rep. of Korea

[**] Term: **14 Years**

[21] Appl. No.: **27,827**

[22] Filed: **Aug. 30, 1994**

[52] U.S. Cl. **D9/429**

[58] Field of Search D9/428, 429, 431, D9/424, 425, 455, 337; D1/118; D7/619; 229/1.5 R, 1.5 B, 1.5 H, 932; 206/499; 220/902, DIG. 8, 903

[56] **References Cited**

U.S. PATENT DOCUMENTS

- D. 279,037 5/1985 Schuler D9/428 X
- D. 307,868 5/1990 Van Sumeren D9/428
- D. 311,330 10/1990 Hamamura D9/428
- D. 313,462 1/1991 Hart et al. D9/428

- D. 331,013 11/1992 Hamamura D9/428
- 1,054,833 3/1913 Dutton 220/4.21 X
- 3,322,262 5/1967 Puente 220/4.21 X
- 3,768,691 10/1973 Cobb et al. 220/4.21 X
- 4,333,580 6/1982 Sweigart, Jr. 220/4.21 X

Primary Examiner—Prabhakar G. Deshmukh
Attorney, Agent, or Firm—Kenyon & Kenyon

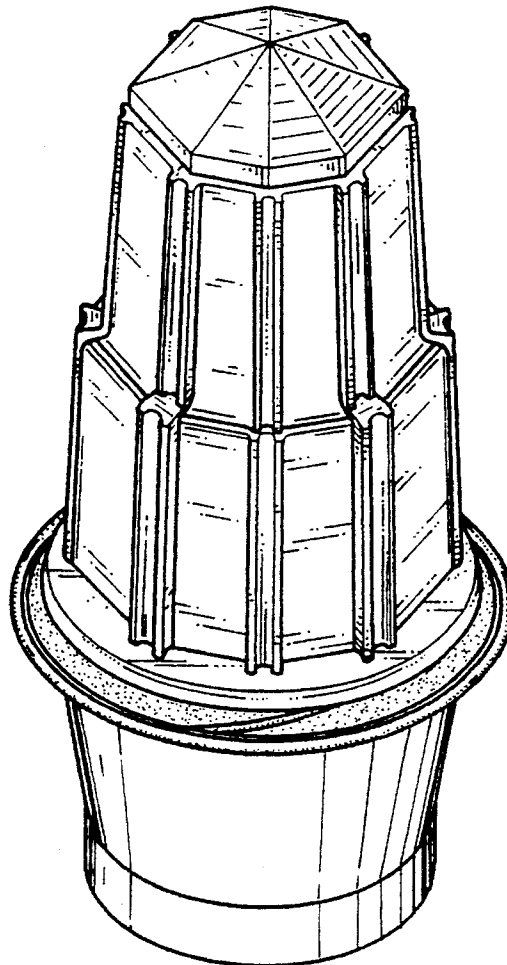
[57] **CLAIM**

The ornamental design for an ice cream container, as shown and described.

DESCRIPTION

FIG. 1 is a perspective view of an ice cream container, showing my new design;
 FIG. 2 is a front elevation view thereof;
 FIG. 3 is a rear elevation view thereof;
 FIG. 4 is a top view thereof;
 FIG. 5 is a bottom view thereof;
 FIG. 6 is a left side elevation view thereof;
 FIG. 7 is a right side elevation view thereof; and,
 FIG. 8 is an exploded perspective view thereof.

1 Claim, 5 Drawing Sheets



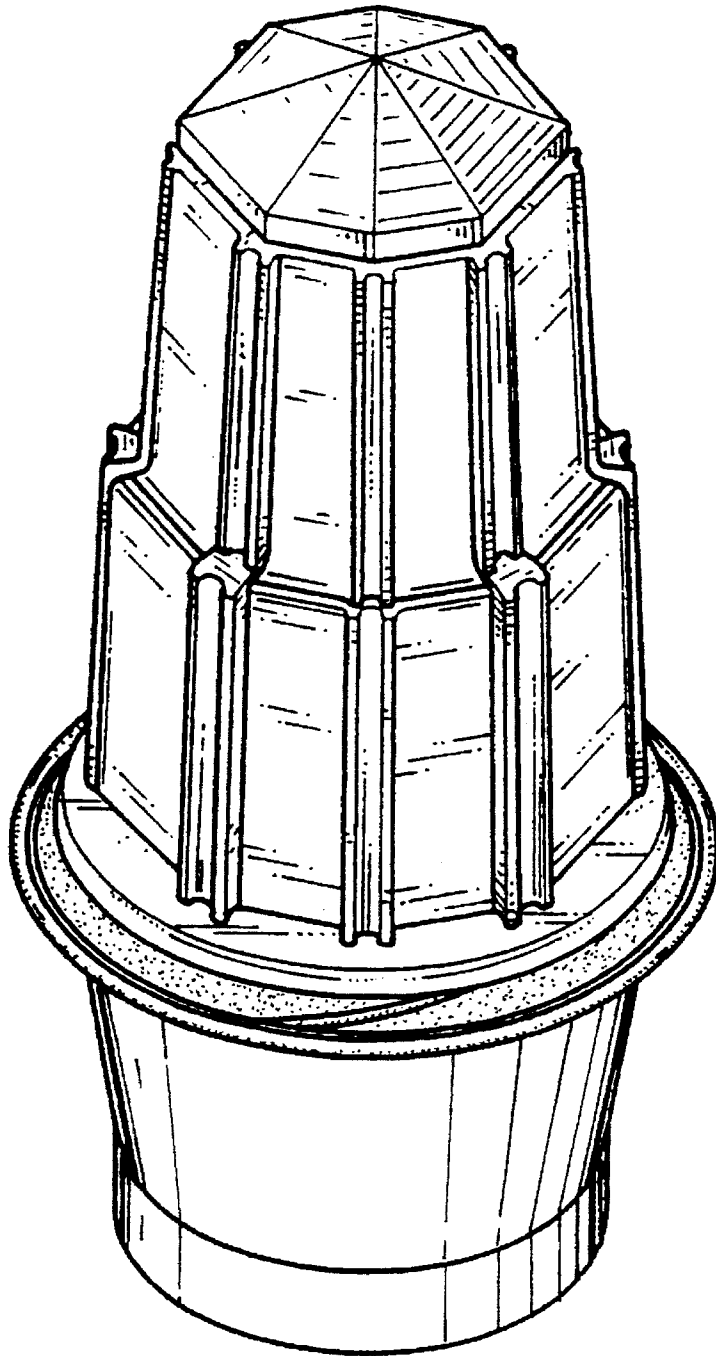


FIG. 1

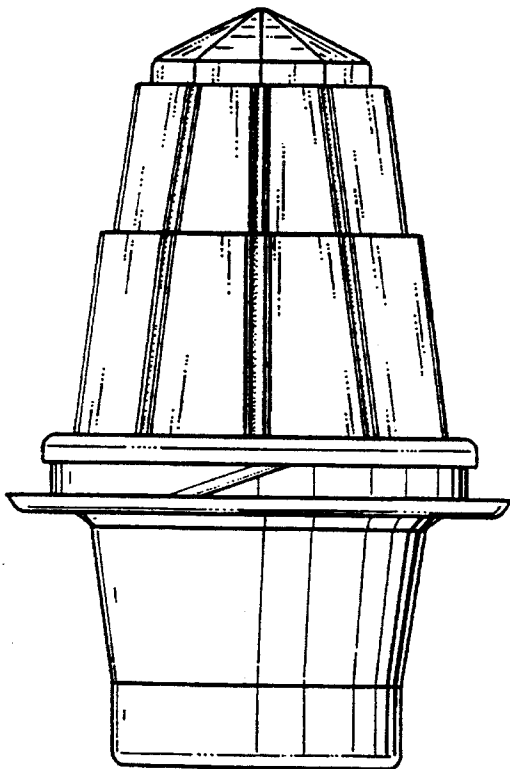


FIG. 2

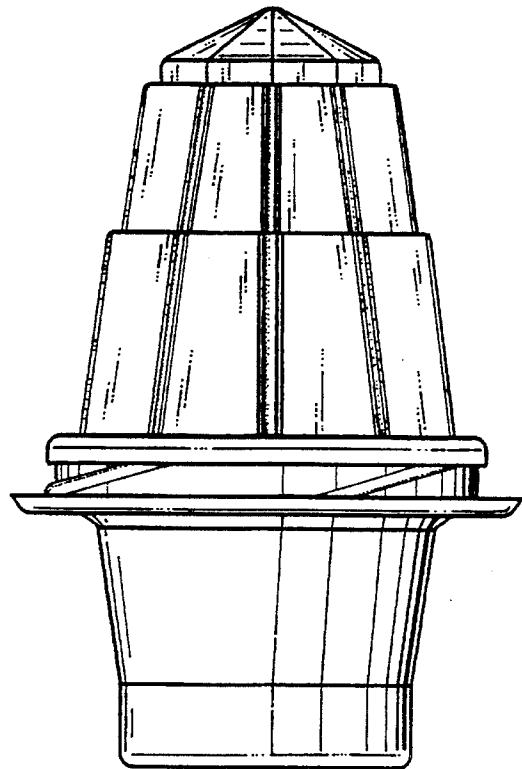


FIG. 3

FIG. 4

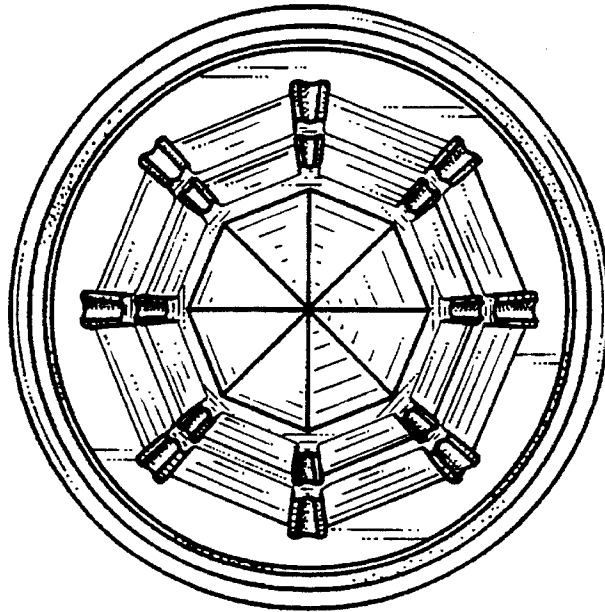
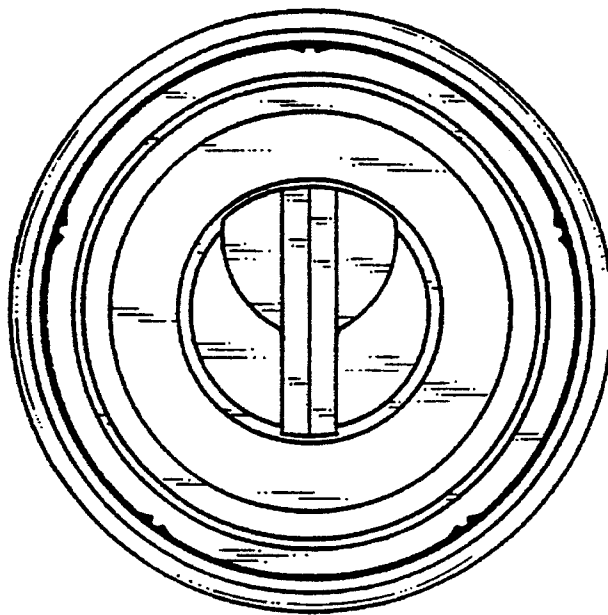


FIG. 5



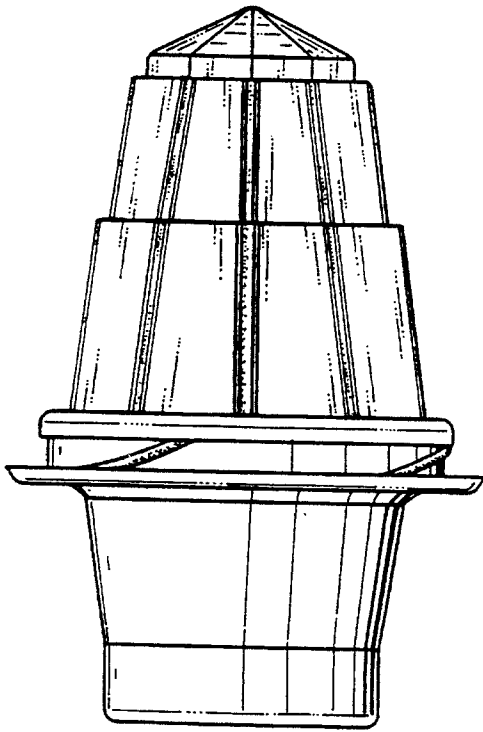


FIG. 6

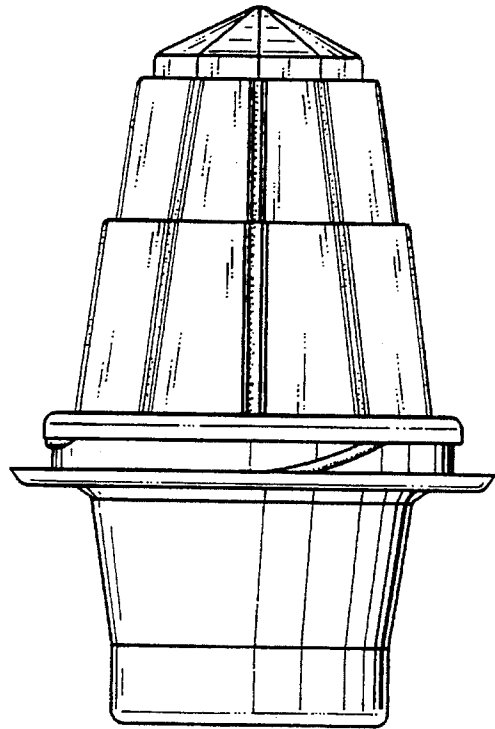


FIG. 7

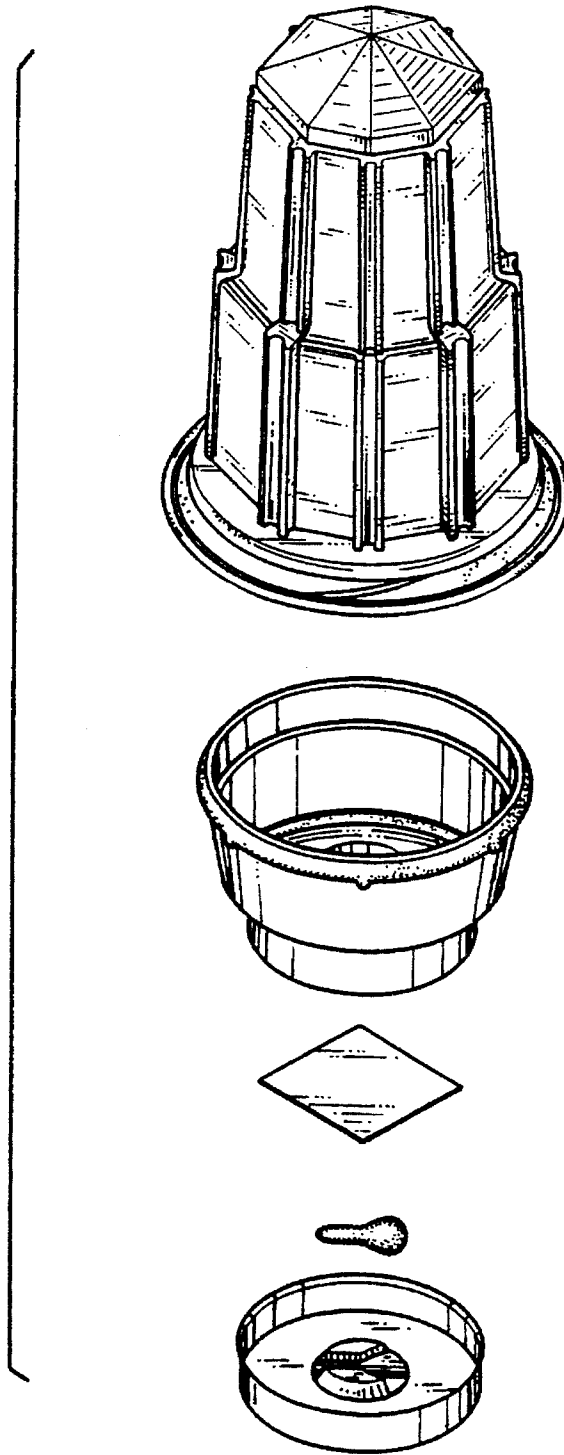


FIG. 8