



US00D843168S

(12) **United States Design Patent**
Donovan et al.

(10) **Patent No.:** **US D843,168 S**

(45) **Date of Patent:** **** Mar. 19, 2019**

- (54) **SPIGOT**
- (71) Applicant: **Brita LP**, Oakland, CA (US)
- (72) Inventors: **Madeline A. Donovan**, Pleasanton, CA (US); **John E. Jamieson**, Pleasanton, CA (US); **Douglas Merian**, Pleasanton, CA (US); **Scot Herbst**, Santa Cruz, CA (US); **Wong Chung Yu**, Tko (HK)
- (73) Assignee: **Brita LP**, Oakland, CA (US)
- (**) Term: **15 Years**
- (21) Appl. No.: **29/593,358**

- D640,897 S 7/2011 Chung
- D701,945 S * 4/2014 Mitsuoka D23/245
- D719,403 S 12/2014 Halioua
- D754,474 S * 4/2016 Minica D7/397
- D755,348 S * 5/2016 Mitsuoka D23/233
- D774,163 S * 12/2016 Solakian D23/213

(Continued)

Primary Examiner — Derrick E Holland

Assistant Examiner — Andrew Kerr

(74) *Attorney, Agent, or Firm* — Thomas C. Feix; Stacy H. Combs

- (22) Filed: **Feb. 8, 2017**
- (51) **LOC (11) Cl.** **07-99**
- (52) **U.S. Cl.**
USPC **D7/398**
- (58) **Field of Classification Search**
USPC D7/213, 300, 301, 304, 306-311, 314,
D7/387-390, 397-400; D8/354;
D23/213, 233, 250, 252, 259
CPC B67D 1/00; B67D 1/14; B67D 1/1405;
B67D 3/00; B65D 41/04; A47J 31/40
See application file for complete search history.

(57) **CLAIM**

The ornamental design for a spigot, as shown and described.

DESCRIPTION

FIG. 1 is a front perspective view of a spigot showing our new design, in an open position;
 FIG. 2 is a rear perspective view thereof;
 FIG. 3 is a front view thereof;
 FIG. 4 is a rear view thereof;
 FIG. 5 is a right side view thereof;
 FIG. 6 is a left side view thereof;
 FIG. 7 is a top view thereof;
 FIG. 8 is a bottom view thereof;
 FIG. 9 is a front perspective view in a closed position;
 FIG. 10 is a rear perspective view thereof;
 FIG. 11 is a front perspective view thereof shown in an open position, in use condition;
 FIG. 12 is a front view thereof;
 FIG. 13 is a rear view thereof;
 FIG. 14 is a right side view thereof;
 FIG. 15 is a left side view thereof;
 FIG. 16 is a top view thereof; and,
 FIG. 17 is a bottom view thereof.

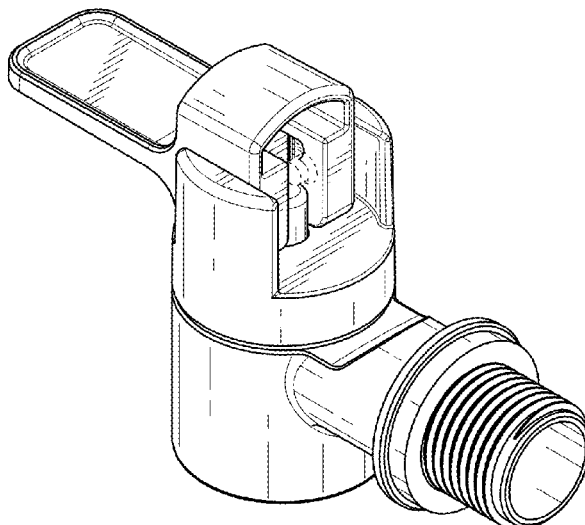
The broken lines showing environmental structure are for illustrative purposes only and form no part of the claimed design.

(56) **References Cited**

U.S. PATENT DOCUMENTS

- 3,104,089 A 9/1963 Seltam
- 5,275,200 A * 1/1994 Yamamoto F16K 5/0647
137/315.18
- D378,400 S 3/1997 Kowalics
- D482,235 S 11/2003 Yui
- D493,331 S 7/2004 Munoz
- 6,880,797 B2 * 4/2005 Yui F16K 31/52
251/103
- D506,529 S 6/2005 Roethel
- D525,828 S 8/2006 Daniels, Jr.
- D632,368 S 2/2011 Kolar et al.
- D637,867 S 5/2011 Wang

1 Claim, 10 Drawing Sheets



(56)

References Cited

U.S. PATENT DOCUMENTS

D798,657 S * 10/2017 Lin D7/398
D799,000 S * 10/2017 Chen D23/213

* cited by examiner

FIG. 1

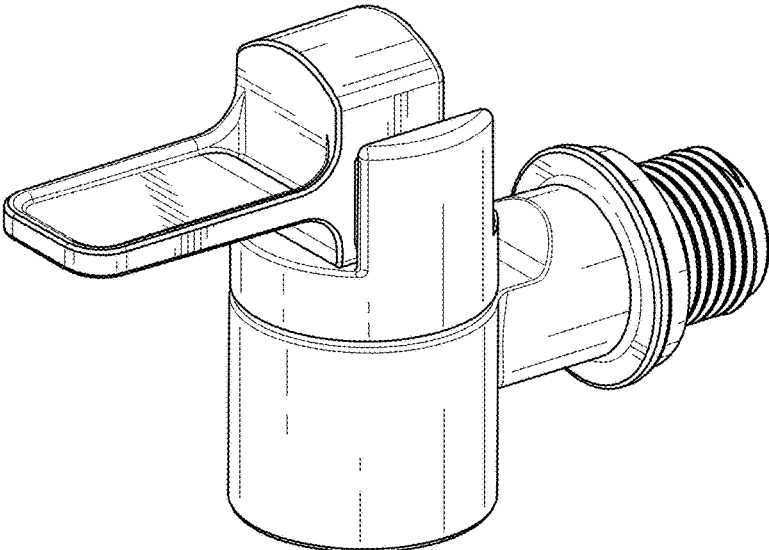
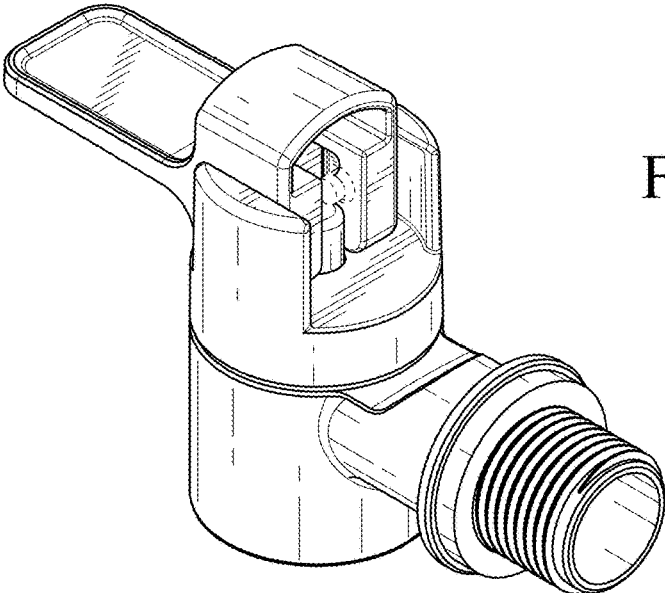


FIG. 2



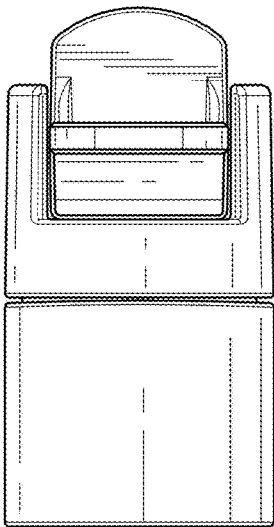


FIG. 3

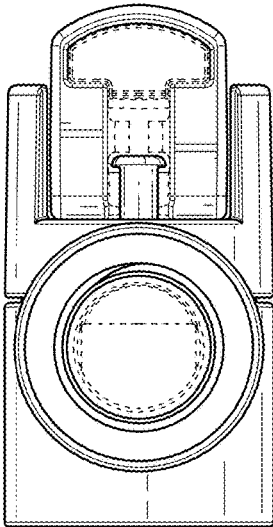


FIG. 4

FIG. 5

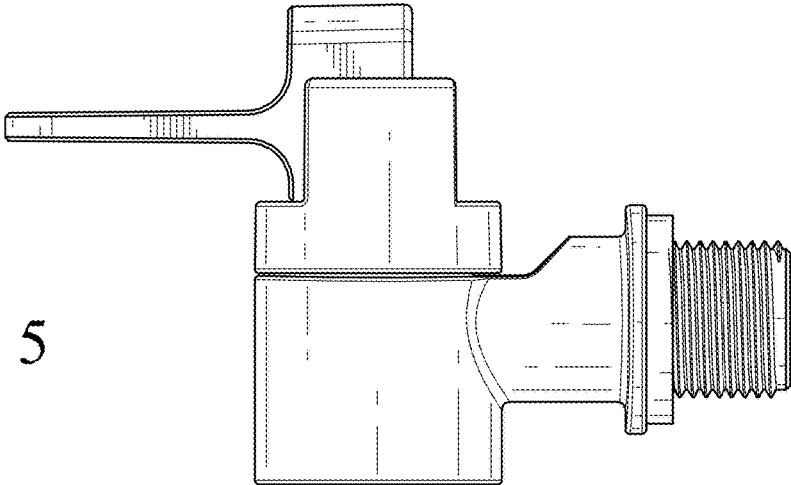
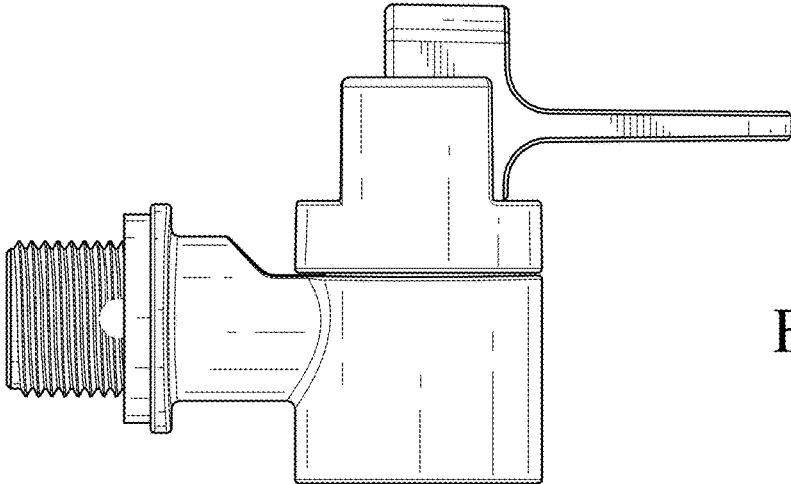


FIG. 6



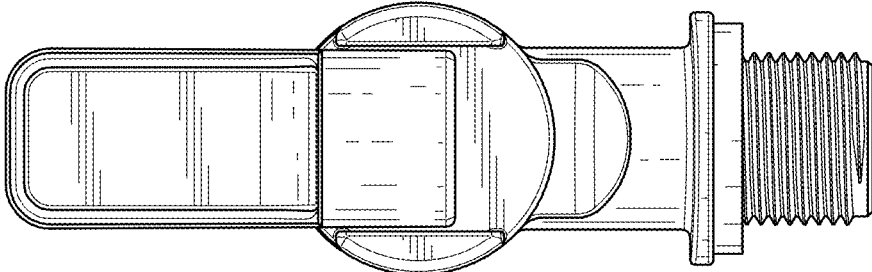


FIG. 7

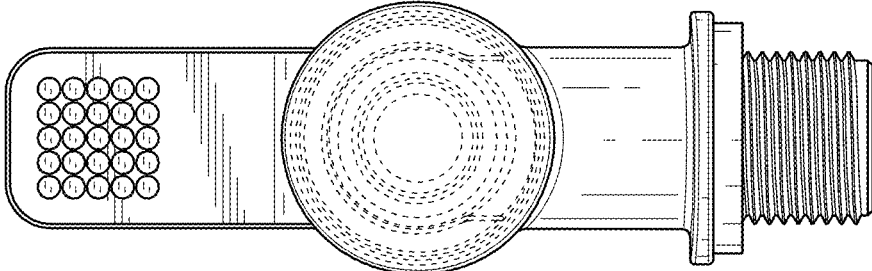


FIG. 8

FIG. 9

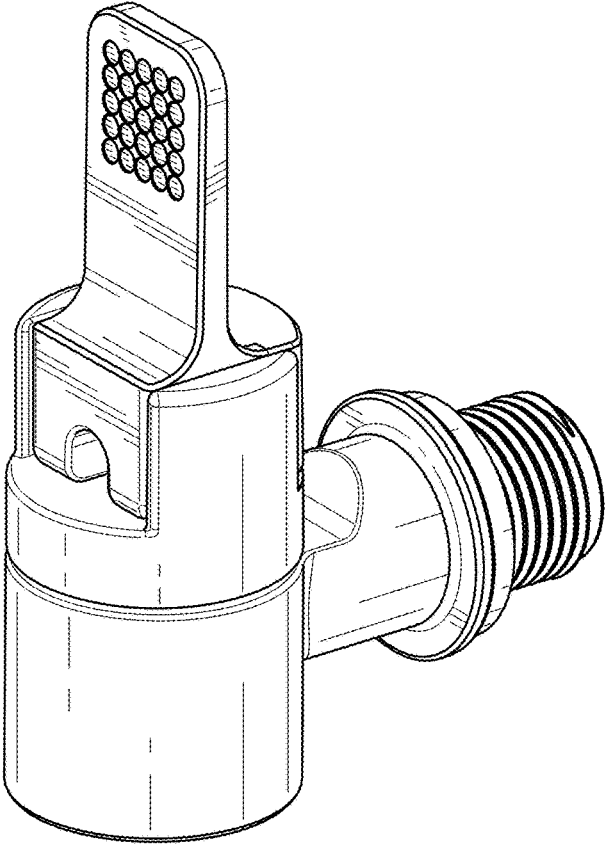
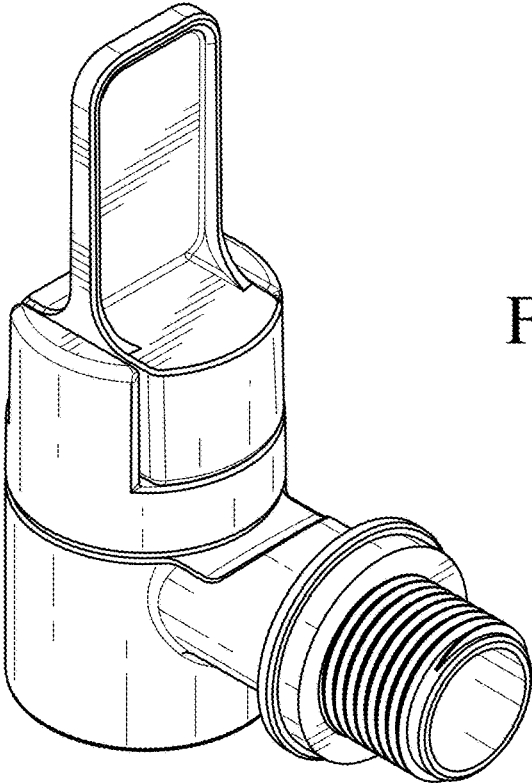


FIG. 10



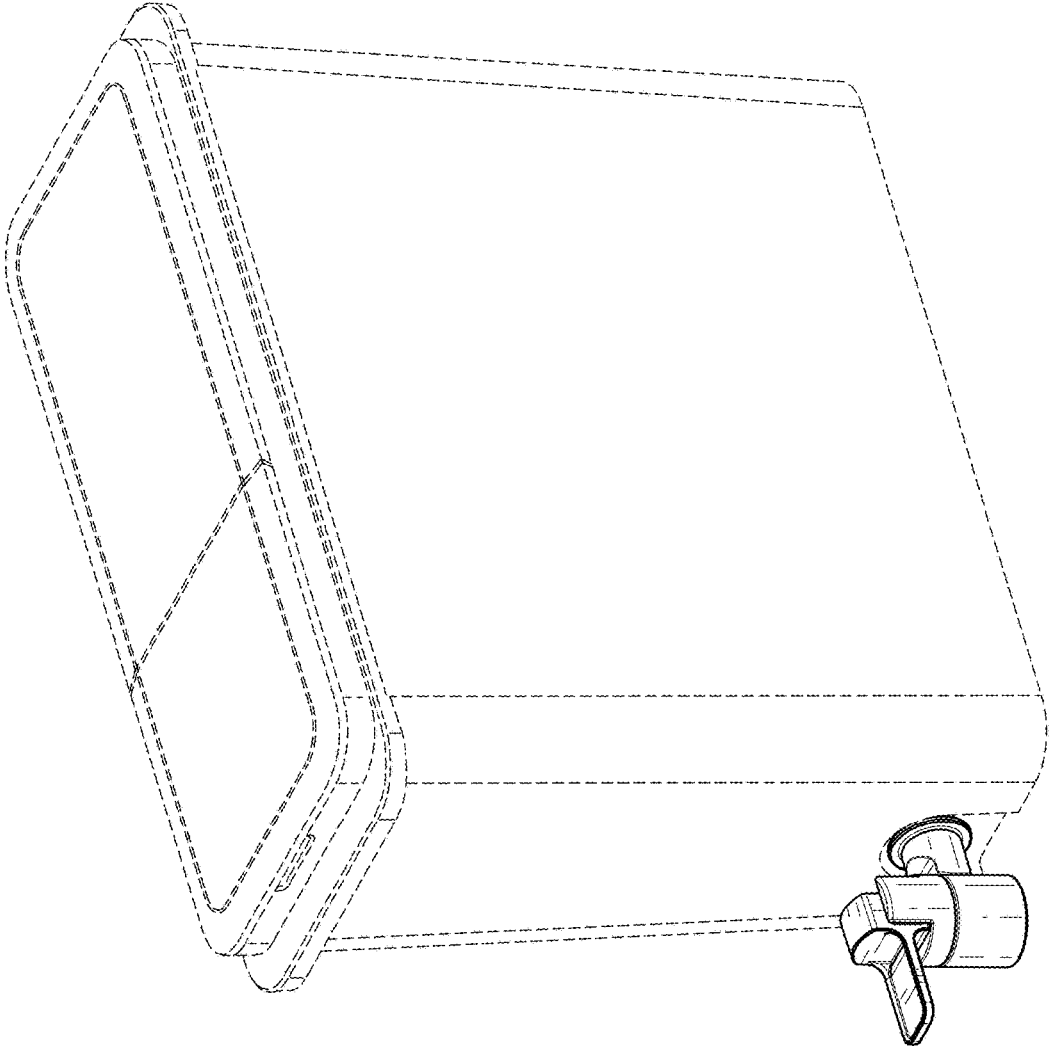


FIG. 11

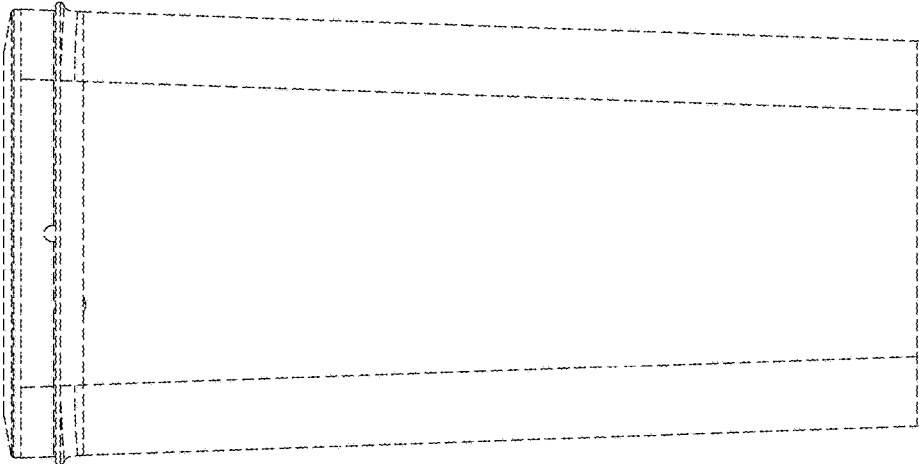


FIG. 13

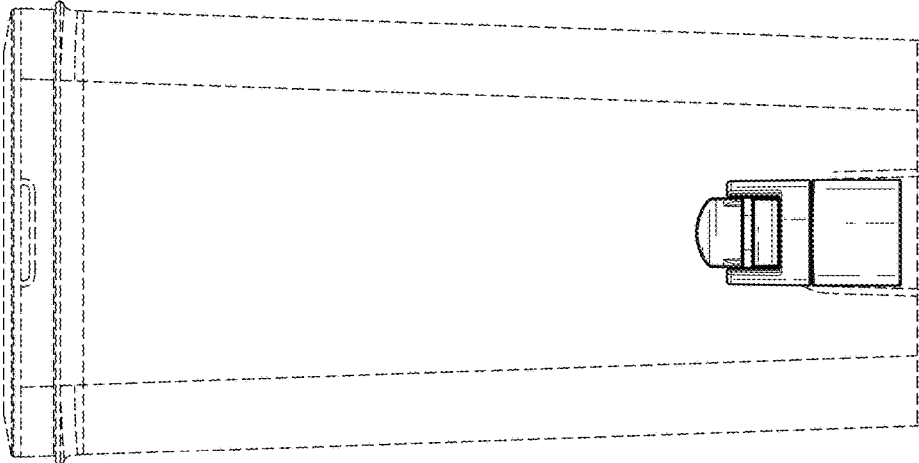


FIG. 12

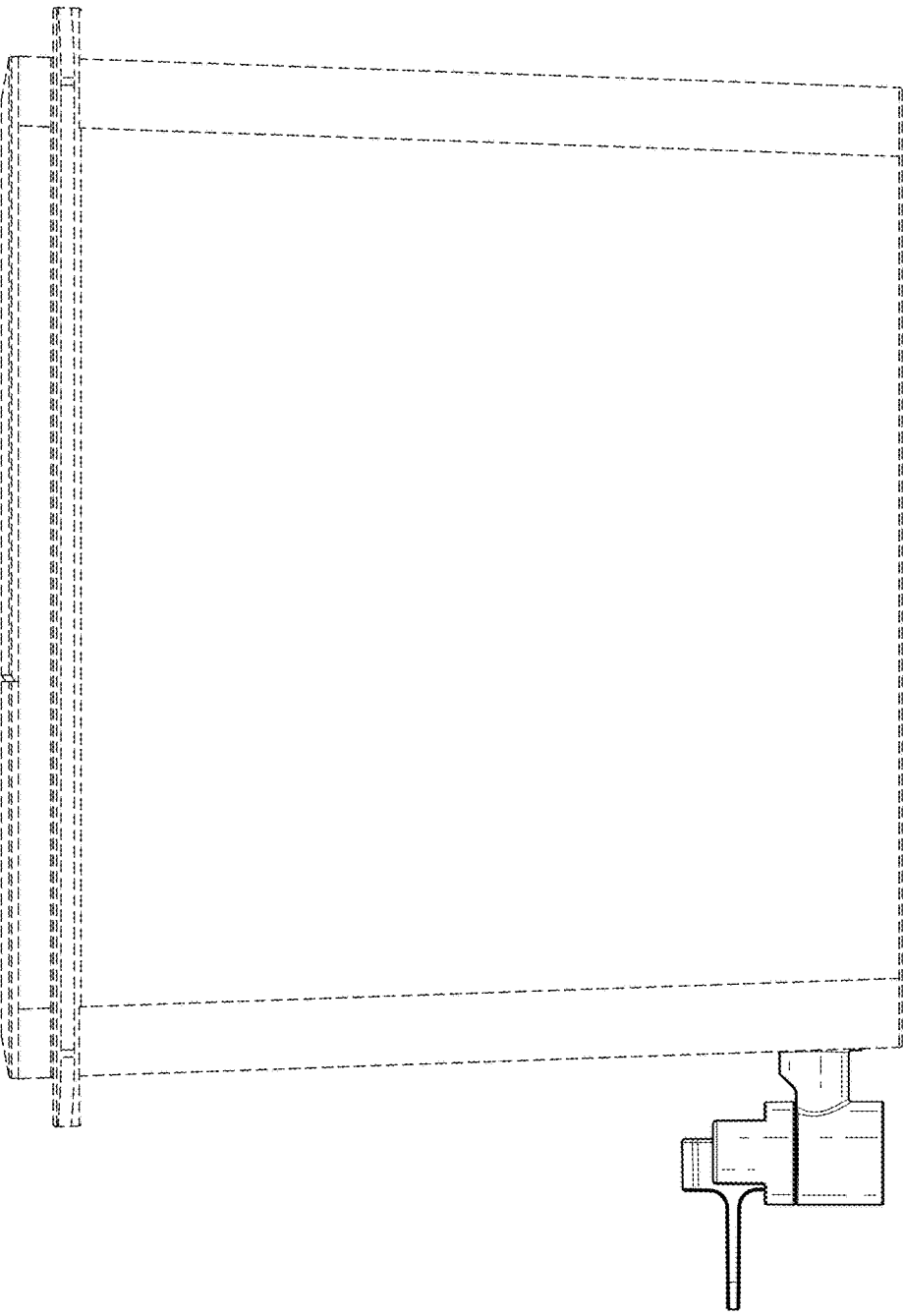


FIG. 14

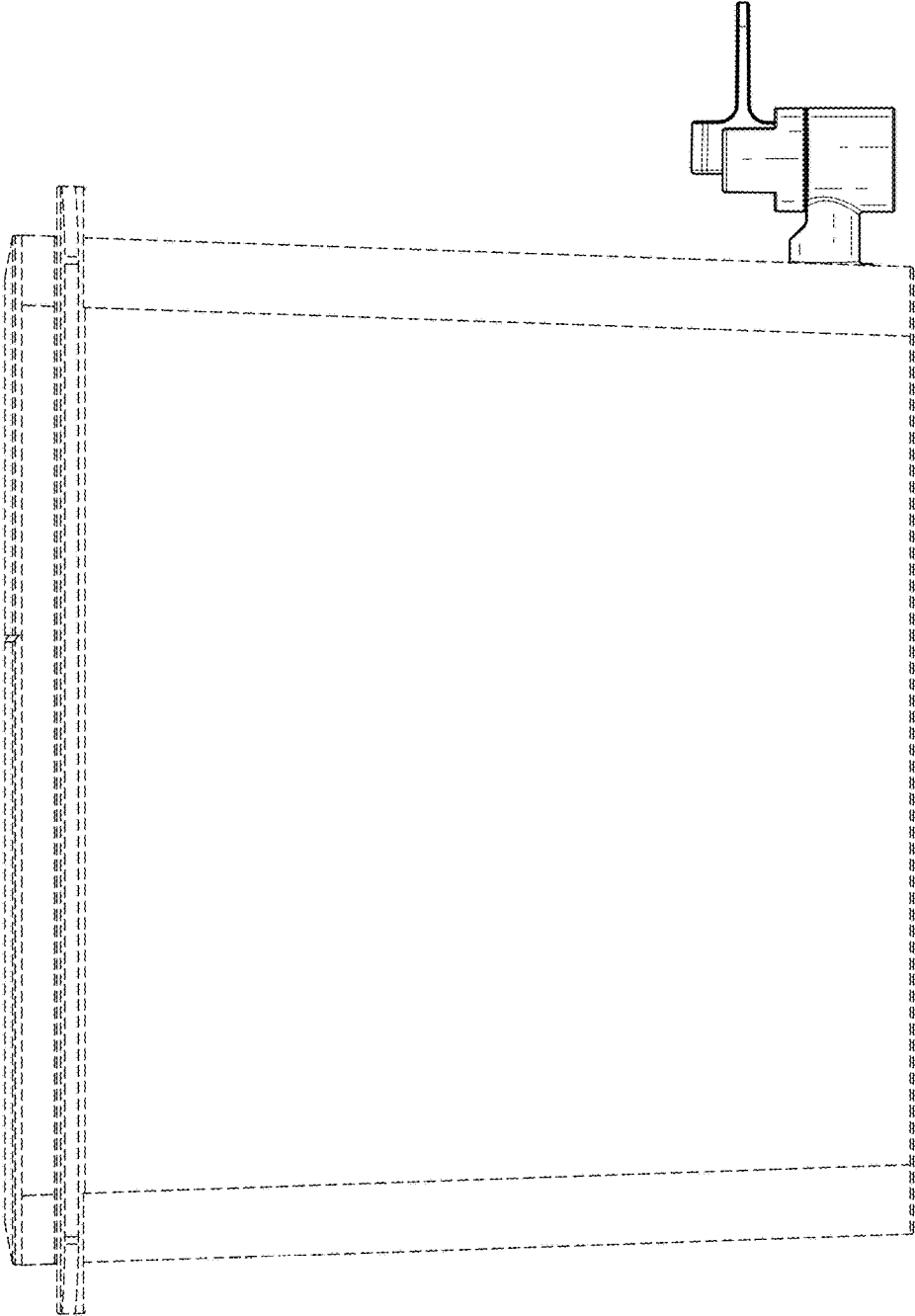


FIG. 15

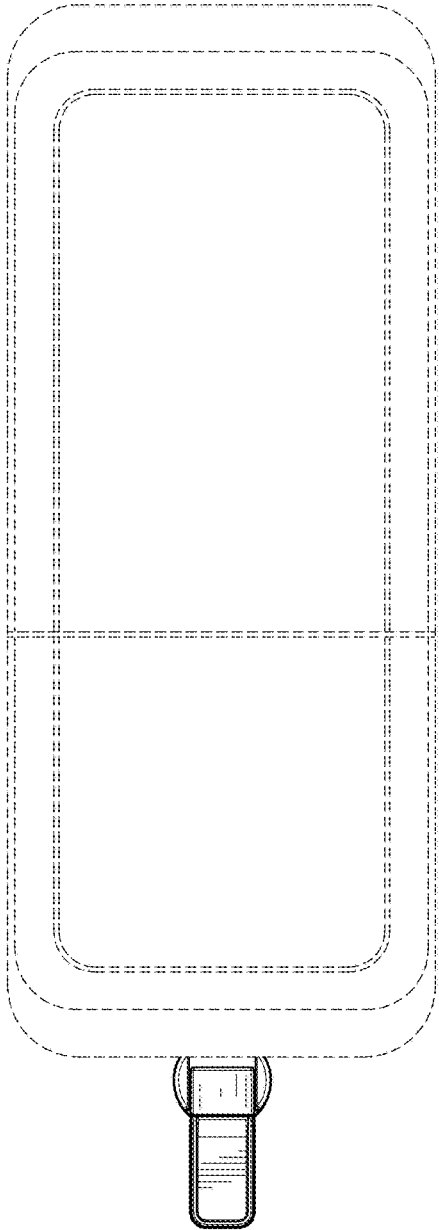


FIG. 16

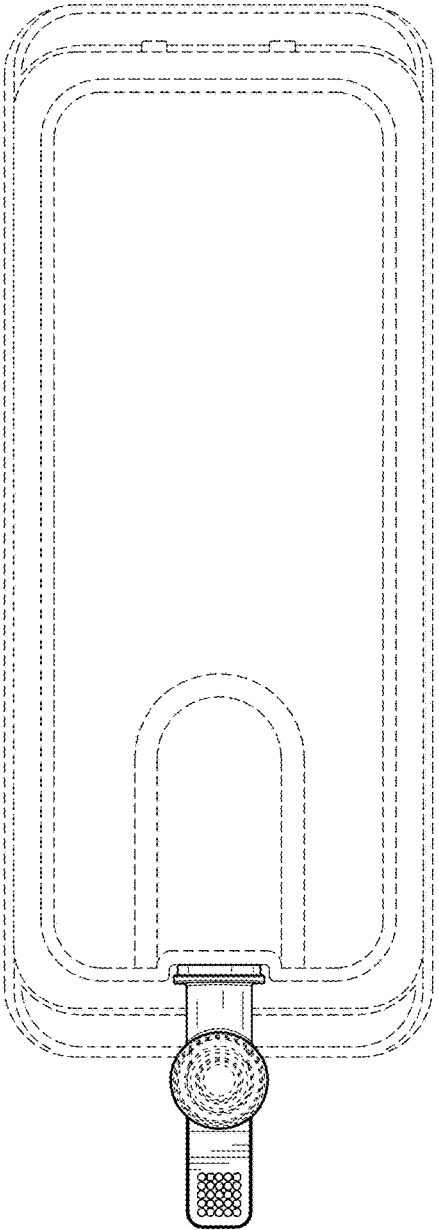


FIG. 17