



US00D628283S

(12) **United States Design Patent**
Valentino et al.

(10) **Patent No.:** **US D628,283 S**

(45) **Date of Patent:** **** Nov. 30, 2010**

(54) **ELECTRIC FRAGRANCE DIFFUSER**

(75) Inventors: **Heidi Valentino**, New York, NY (US);
Kathryn Ludwig, New York, NY (US)

(73) Assignee: **Bath & Body Works Brand Management, Inc.**, Reynoldsburg, OH (US)

(**) Term: **14 Years**

(21) Appl. No.: **29/359,411**

(22) Filed: **Apr. 9, 2010**

(51) **LOC (9) Cl.** **28-99**

(52) **U.S. Cl.** **D23/366**

(58) **Field of Classification Search** D23/355-369;
D28/5, 6; 261/DIG. 17, DIG. 42, DIG. 65,
261/DIG. 88, DIG. 89; 392/386, 390, 391,
392/392, 394, 395, 389, 393; 239/34, 35,
239/43-45, 53, 56, 57, 60, 326, 42, 50, 55
See application file for complete search history.

(56) **References Cited**

U.S. PATENT DOCUMENTS

2,813,187	A *	11/1957	Rovira	219/385
5,038,394	A	8/1991	Hasegawa et al.		
D430,659	S	9/2000	Zaragoza et al.		
6,278,840	B1	8/2001	Basaganas Millan		
6,466,739	B2	10/2002	Ambrosi et al.		
6,603,924	B2	8/2003	Brown et al.		
6,661,967	B2	12/2003	Levine et al.		
D522,119	S	5/2006	Baraky et al.		
D542,902	S *	5/2007	Caserta et al.	D23/366
D542,903	S *	5/2007	Caserta et al.	D23/366

7,223,361	B2	5/2007	Kvietok et al.		
7,249,719	B2	7/2007	He et al.		
D548,318	S *	8/2007	Copeman	D23/366
D556,311	S *	11/2007	Copeman	D23/366
D574,076	S	7/2008	Baraky		
7,493,028	B2	2/2009	DeWitt et al.		
D596,729	S *	7/2009	Langley et al.	D23/366
D596,730	S *	7/2009	Langley et al.	D23/366
D599,899	S *	9/2009	Thompson	D23/366
2004/0067172	A1	4/2004	Ehrlich et al.		
2008/0014125	A1	1/2008	He et al.		

* cited by examiner

Primary Examiner—Sandra Snapp

(74) *Attorney, Agent, or Firm*—Ward & Olivo

(57) **CLAIM**

The ornamental design for an electric fragrance diffuser, as shown and described.

DESCRIPTION

FIG. 1 is a perspective view of an electric fragrance diffuser in accordance with the present invention as shown in the present design;

FIG. 2 is a front view thereof;

FIG. 3 is a rear view thereof;

FIG. 4 is a right side view thereof, the left side view being a mirror image thereof;

FIG. 5 is a top view thereof; and,

FIG. 6 is a bottom view thereof.

The broken lines shown in the drawings are for illustrative purposes only and form no part of the claimed design.

1 Claim, 5 Drawing Sheets

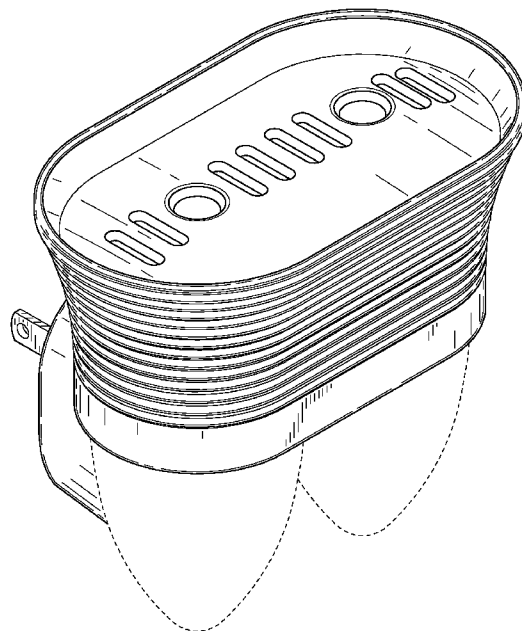


FIG. 1

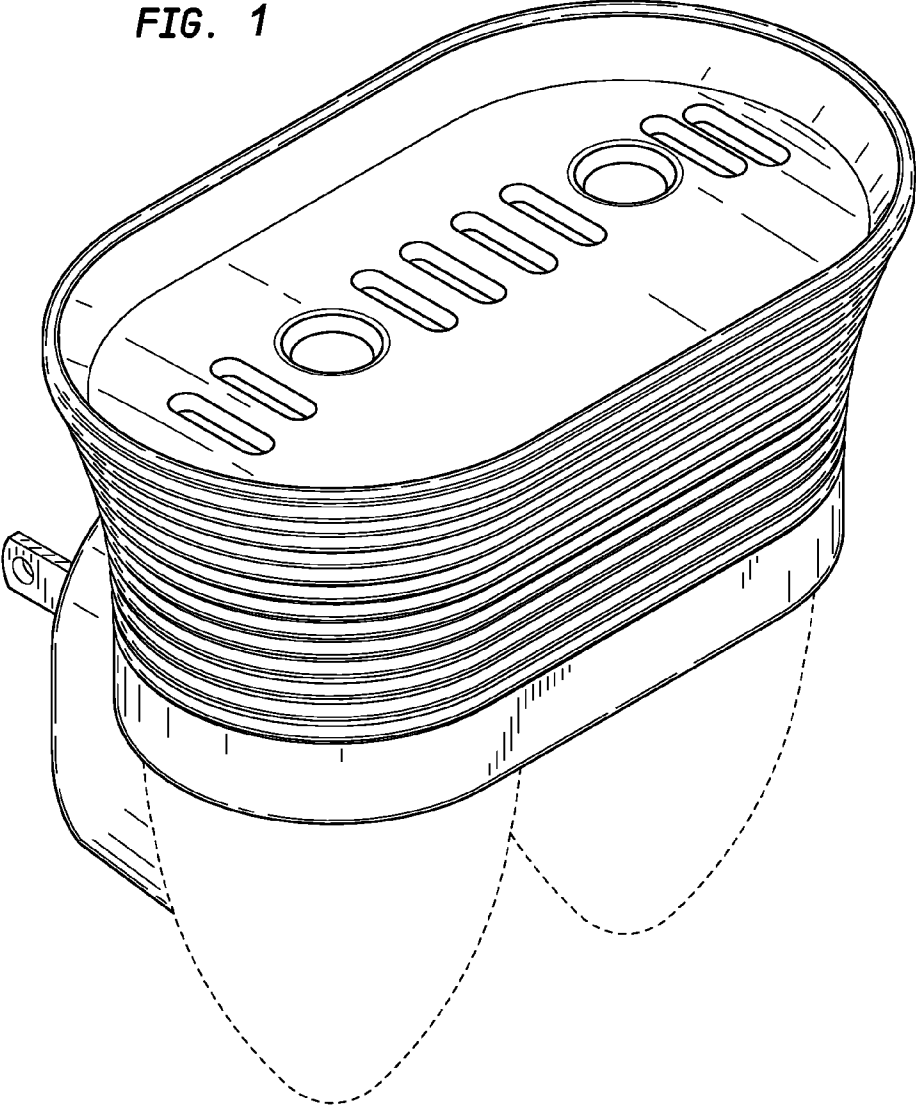


FIG. 2

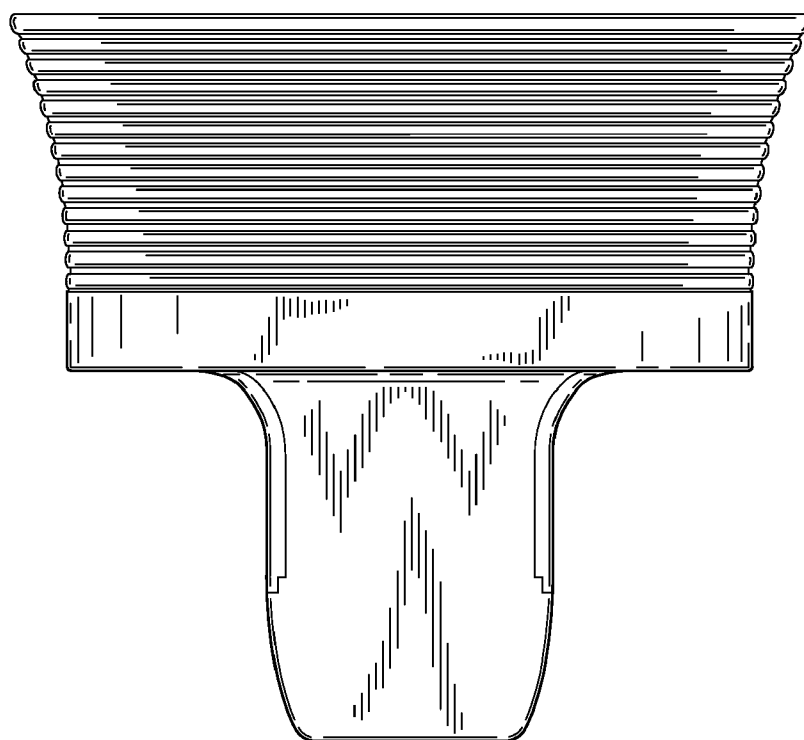


FIG. 3

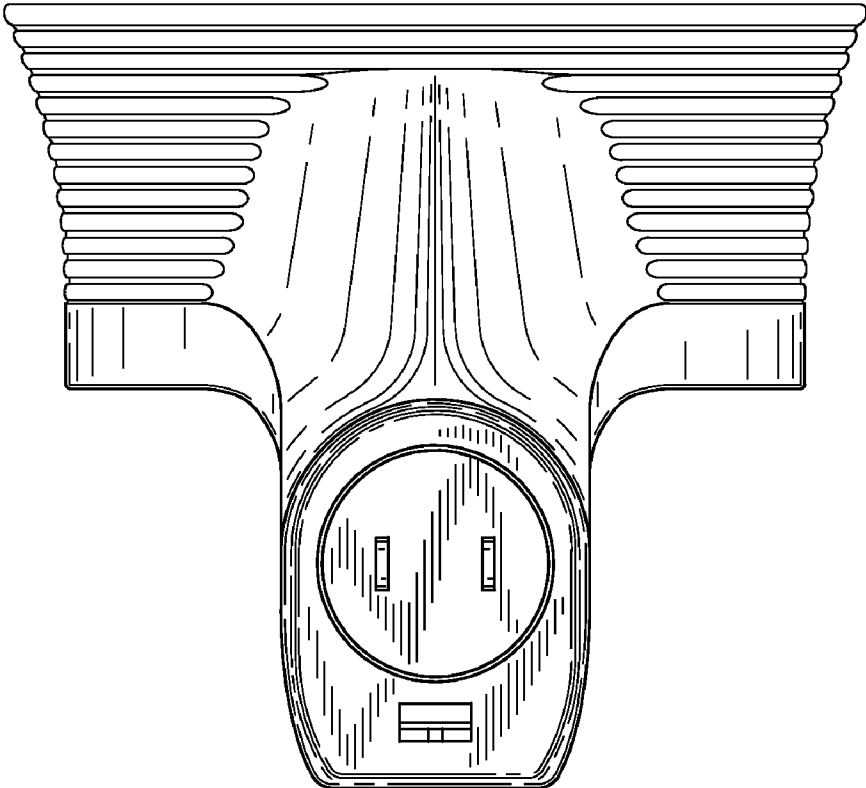


FIG. 4

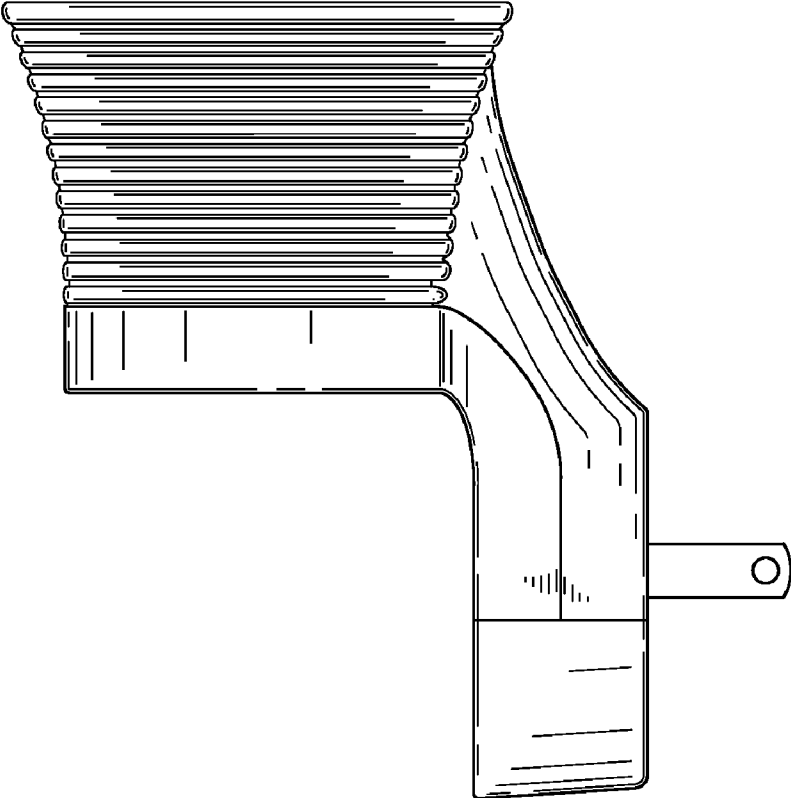


FIG. 5

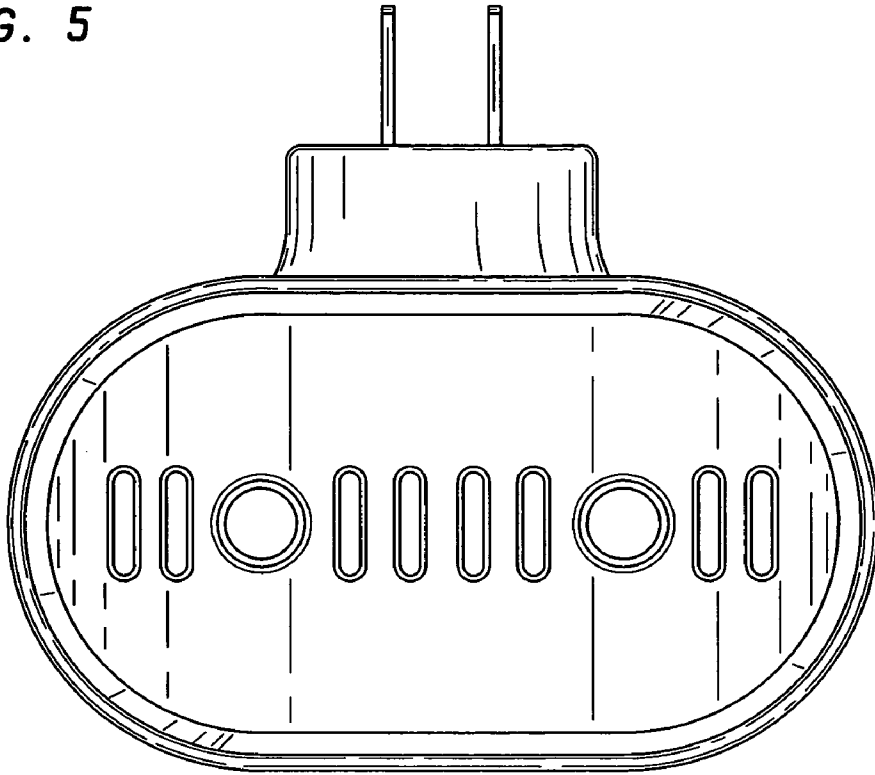


FIG. 6

