



US00D736976S

(12) **United States Design Patent**  
**Menjor**

(10) **Patent No.:** **US D736,976 S**

(45) **Date of Patent:** **\*\* Aug. 18, 2015**

(54) **ILLUMINATION DEVICE**

(71) Applicant: **Francis Menjor**, Decatur, GA (US)

(72) Inventor: **Francis Menjor**, Decatur, GA (US)

(\*\*) Term: **14 Years**

(21) Appl. No.: **29/455,065**

(22) Filed: **May 16, 2013**

(51) **LOC (10) Cl.** ..... **26-02**

(52) **U.S. Cl.**

USPC ..... **D26/39**

(58) **Field of Classification Search**

USPC ..... D26/37, 39, 46, 49; 362/103, 105, 106,  
362/158, 183, 184, 194–197, 202–208

See application file for complete search history.

(56) **References Cited**

**U.S. PATENT DOCUMENTS**

4,425,600	A	1/1984	Barnhart	
5,345,368	A	9/1994	Huff	
D361,143	S *	8/1995	Helvey	D26/39
5,448,458	A	9/1995	Smyly, Jr.	
6,150,950	A	11/2000	Shen Liu	
6,213,619	B1	4/2001	Yu	
6,550,930	B1	4/2003	Portouche	
D500,377	S *	12/2004	Yamamoto et al.	D26/39
D507,065	S *	7/2005	Son	D26/39
D541,452	S *	4/2007	Schnell	D26/39
D544,121	S *	6/2007	Yang	D26/39
D553,279	S *	10/2007	Yang	D26/39
D555,265	S *	11/2007	Shiu	D26/39
D564,685	S *	3/2008	Schnell	D26/39

D566,311	S *	4/2008	Schnell	D26/39
D578,691	S *	10/2008	Lau	D26/39
D590,531	S *	4/2009	Ma	D26/60
D631,587	S *	1/2011	Hine et al.	D26/39
D637,330	S *	5/2011	Lee	D26/39
8,303,129	B1	11/2012	Thielen	
D679,434	S *	4/2013	Conroy	D26/39
D679,435	S *	4/2013	Sohn	D26/60
2008/0062676	A1	3/2008	Masuda	
2009/0108039	A1	4/2009	Sherman	
2011/0182057	A1	7/2011	Watson	
2012/0051033	A1	3/2012	Starogiannis	
2012/0081884	A1	4/2012	Gonzalez	

\* cited by examiner

*Primary Examiner* — Ian Simmons

*Assistant Examiner* — Carissa C Fitts

(57) **CLAIM**

The ornamental design for an illumination device, as shown and described.

**DESCRIPTION**

FIG. 1 is a front view of an illumination device showing my new design;

FIG. 2 is a rear view of the illumination device;

FIG. 3 is a left side view of the illumination device;

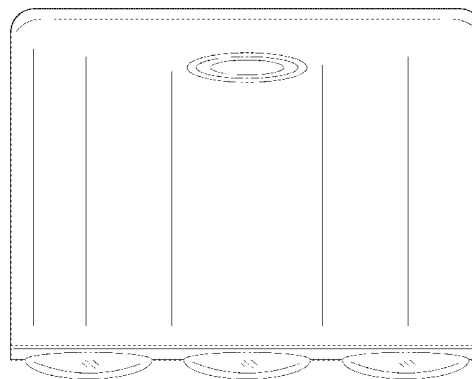
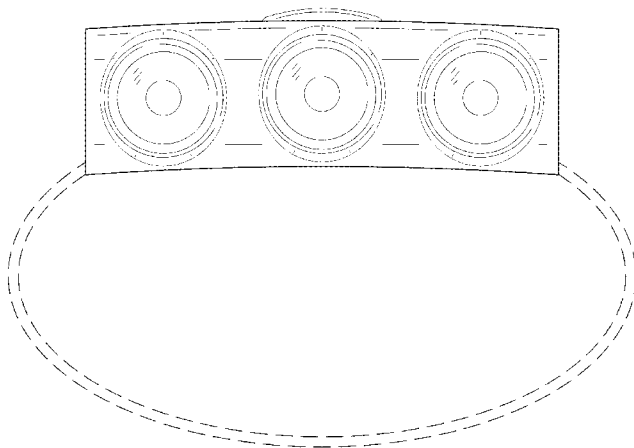
FIG. 4 is a top view of the illumination device;

FIG. 5 is a bottom view of the illumination device; and,

FIG. 6 is a right side view of the illumination device.

The broken line showing is for environmental purposes only and forms no part of the claimed design.

**1 Claim, 5 Drawing Sheets**



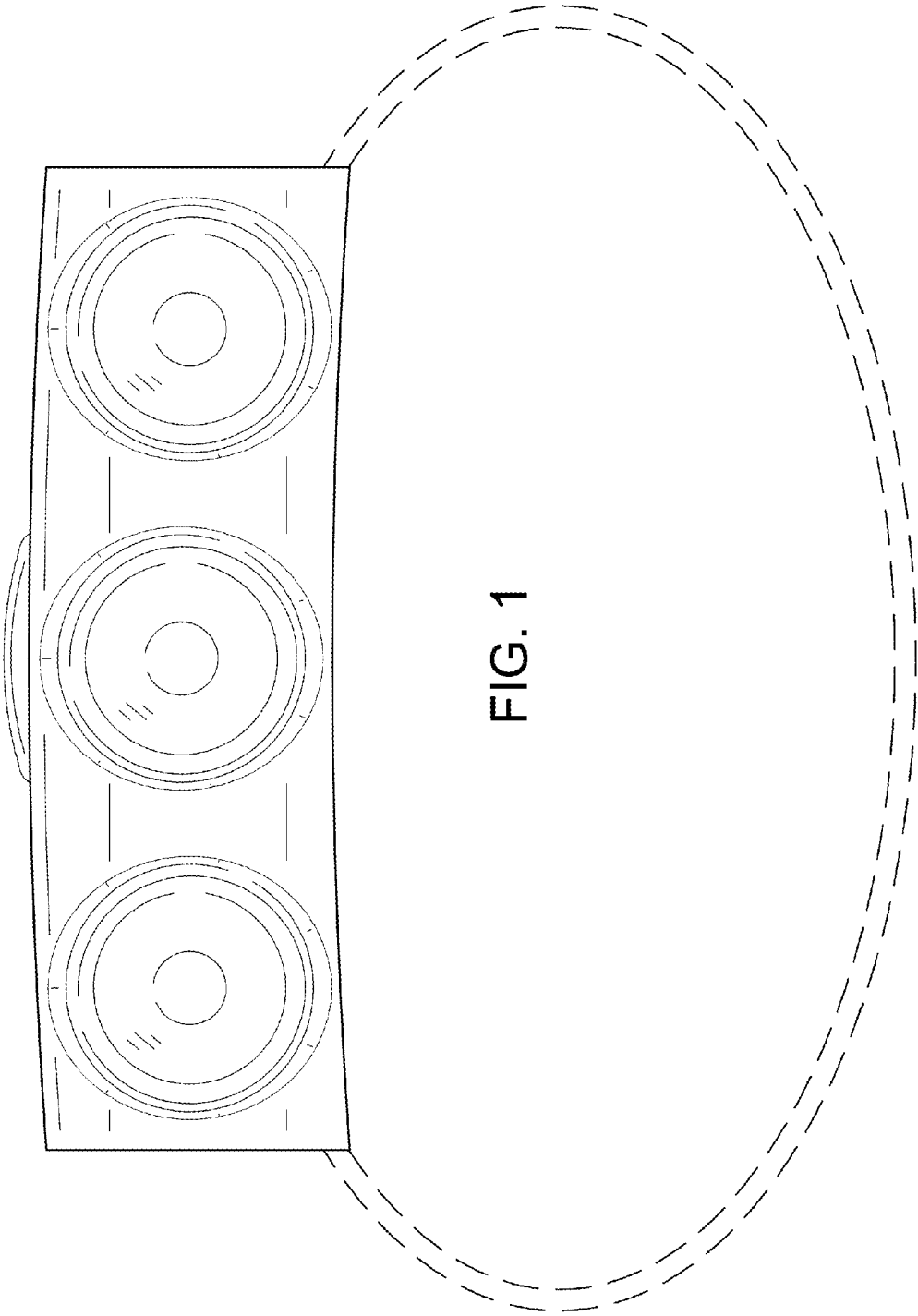


FIG. 1

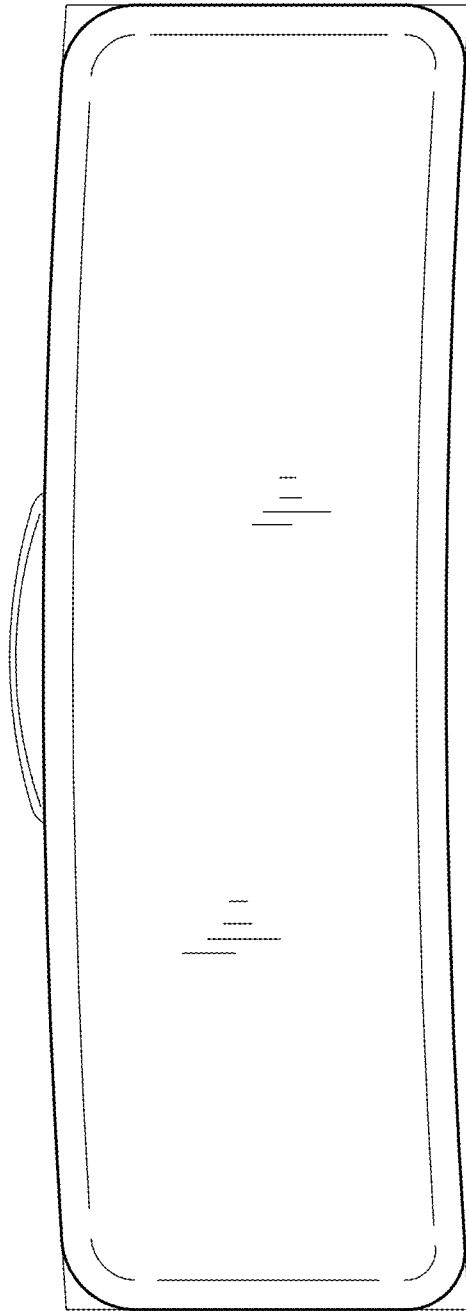


FIG. 2

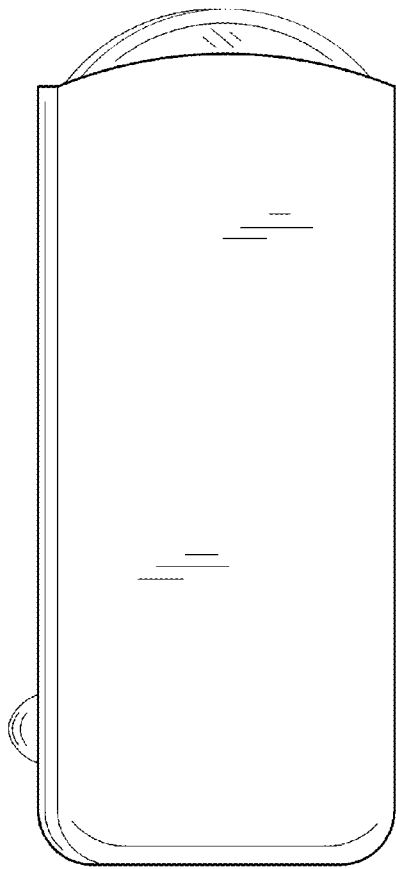


FIG. 3

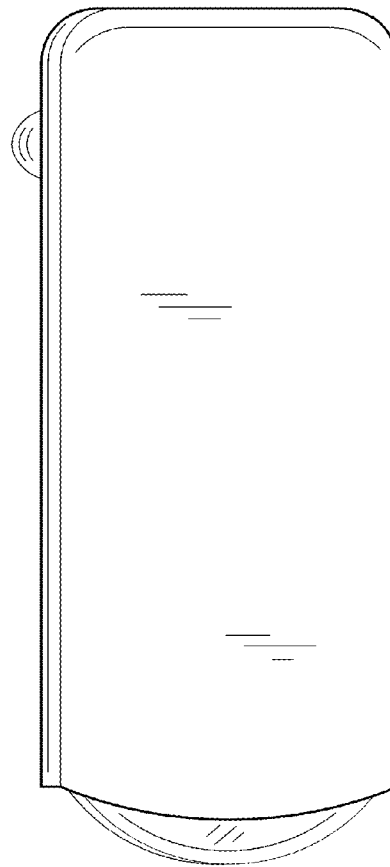


FIG. 4

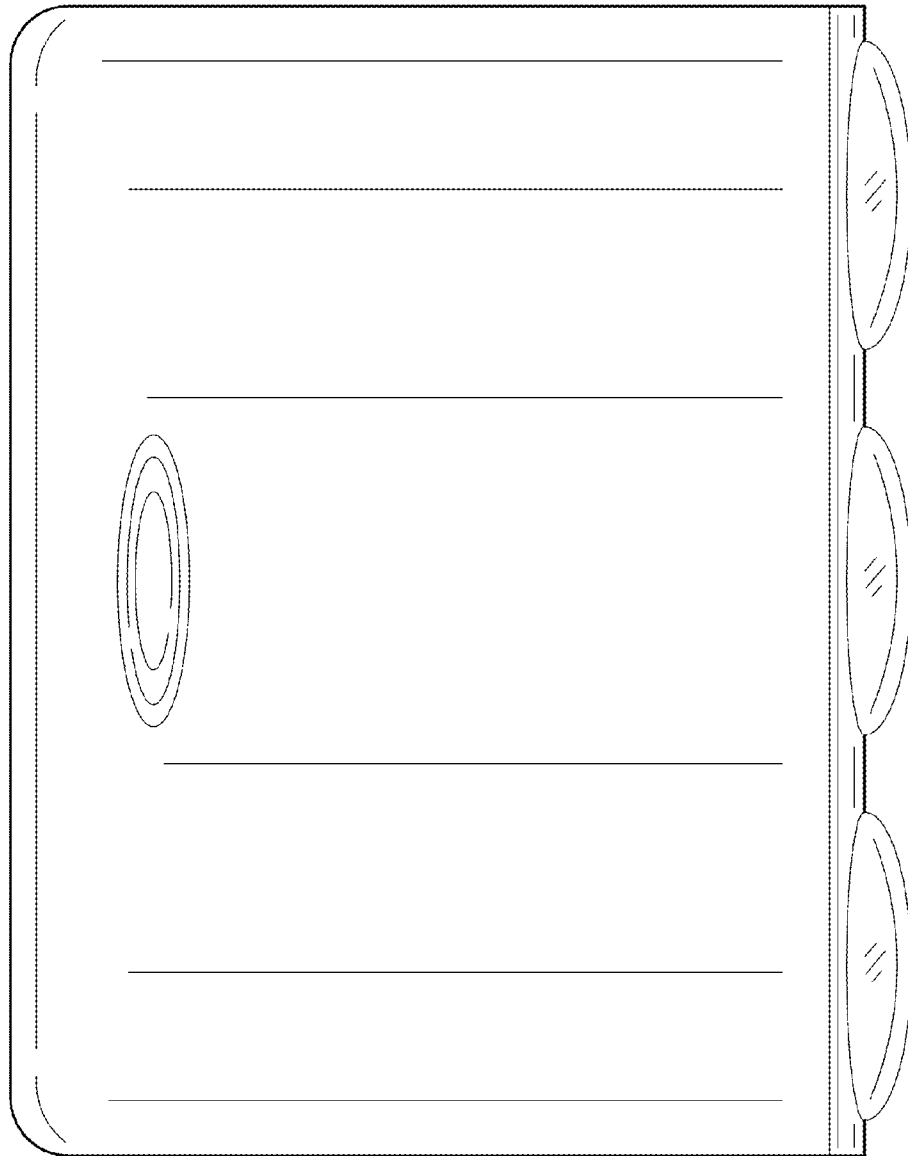


FIG. 5

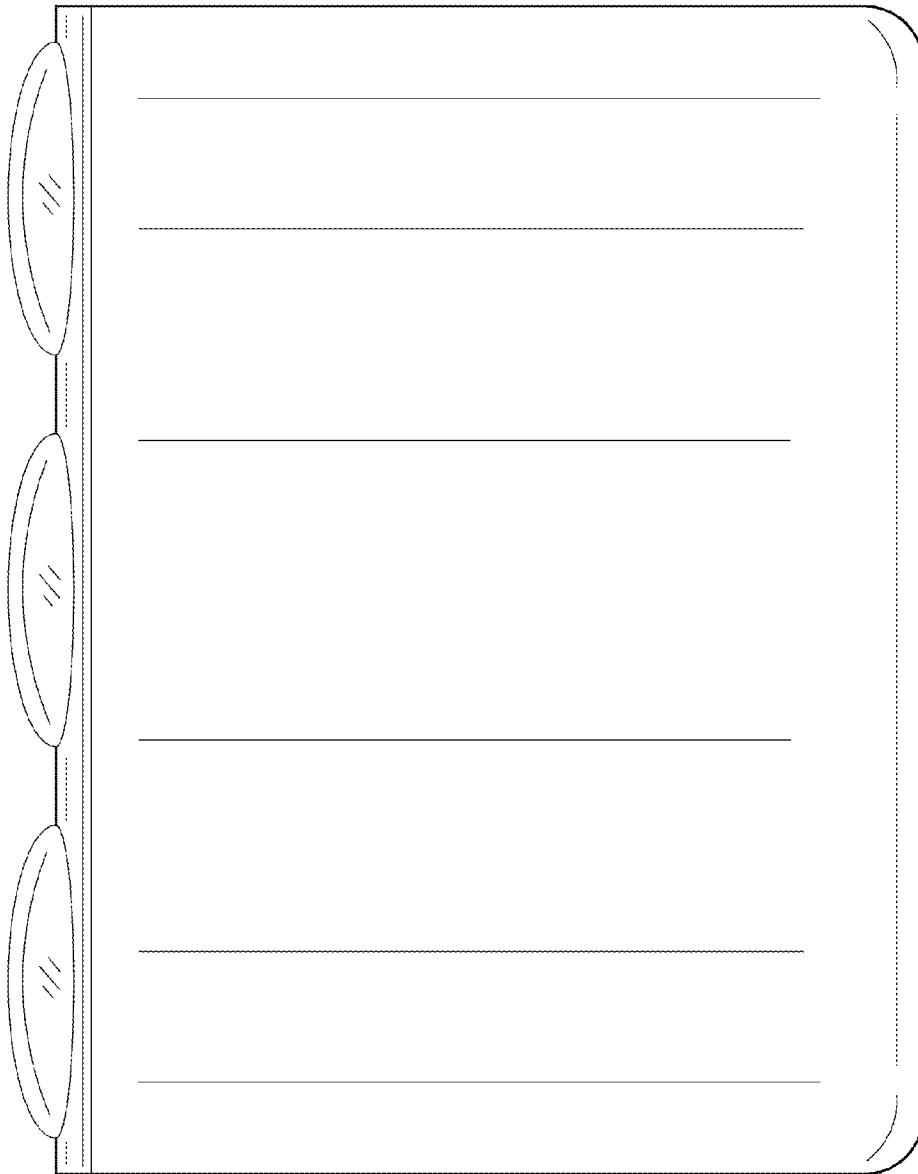


FIG. 6