



(72) O'NEILL, GRAHAM, GB
(72) GERMANOVIX, WALTER, BR
(72) TOUMAZOU, CHRISTOFER, GB
(71) IMPERIAL COLLEGE OF SCIENCE, TECHNOLOGY & MEDICINE,
GB

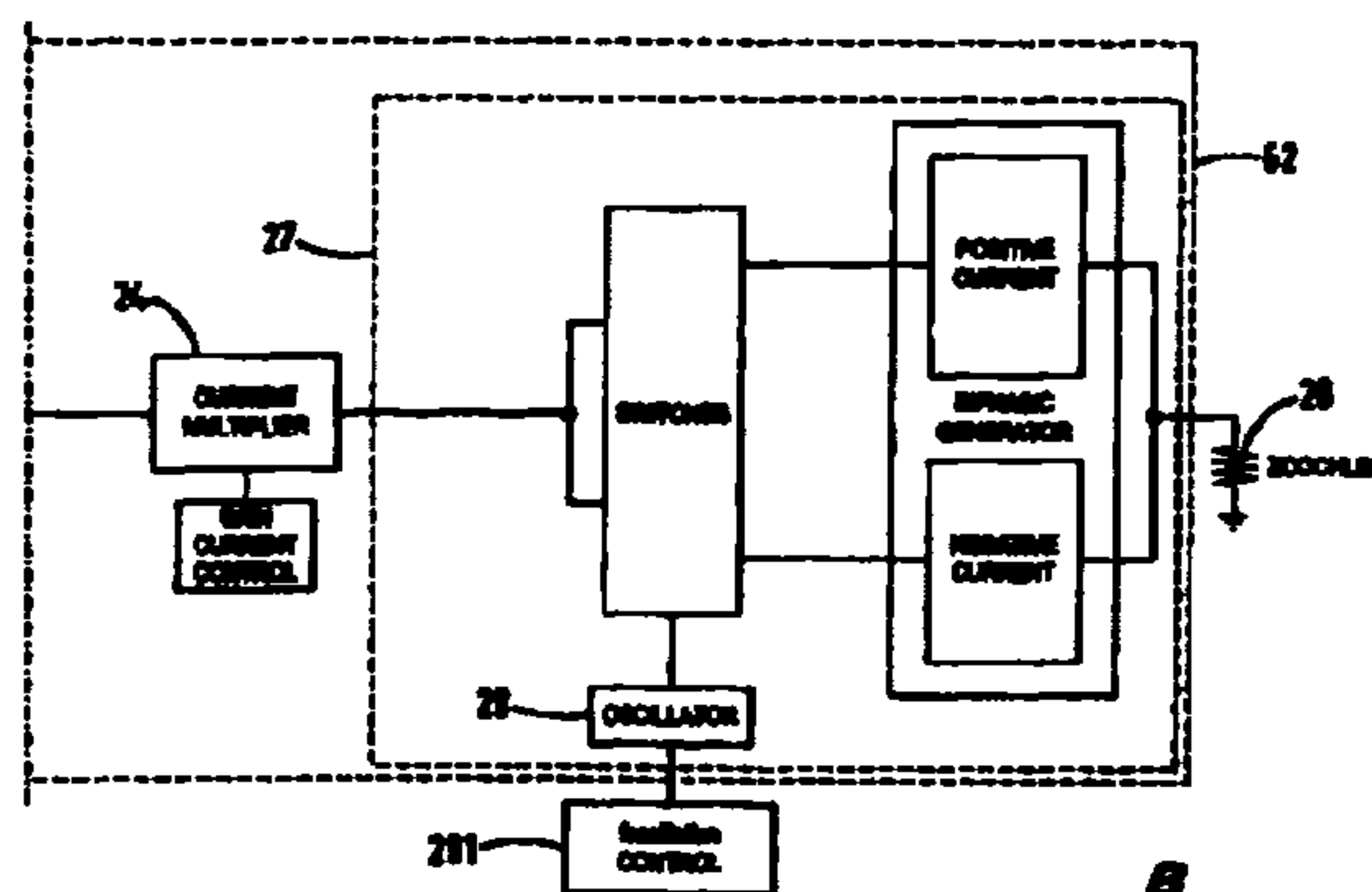
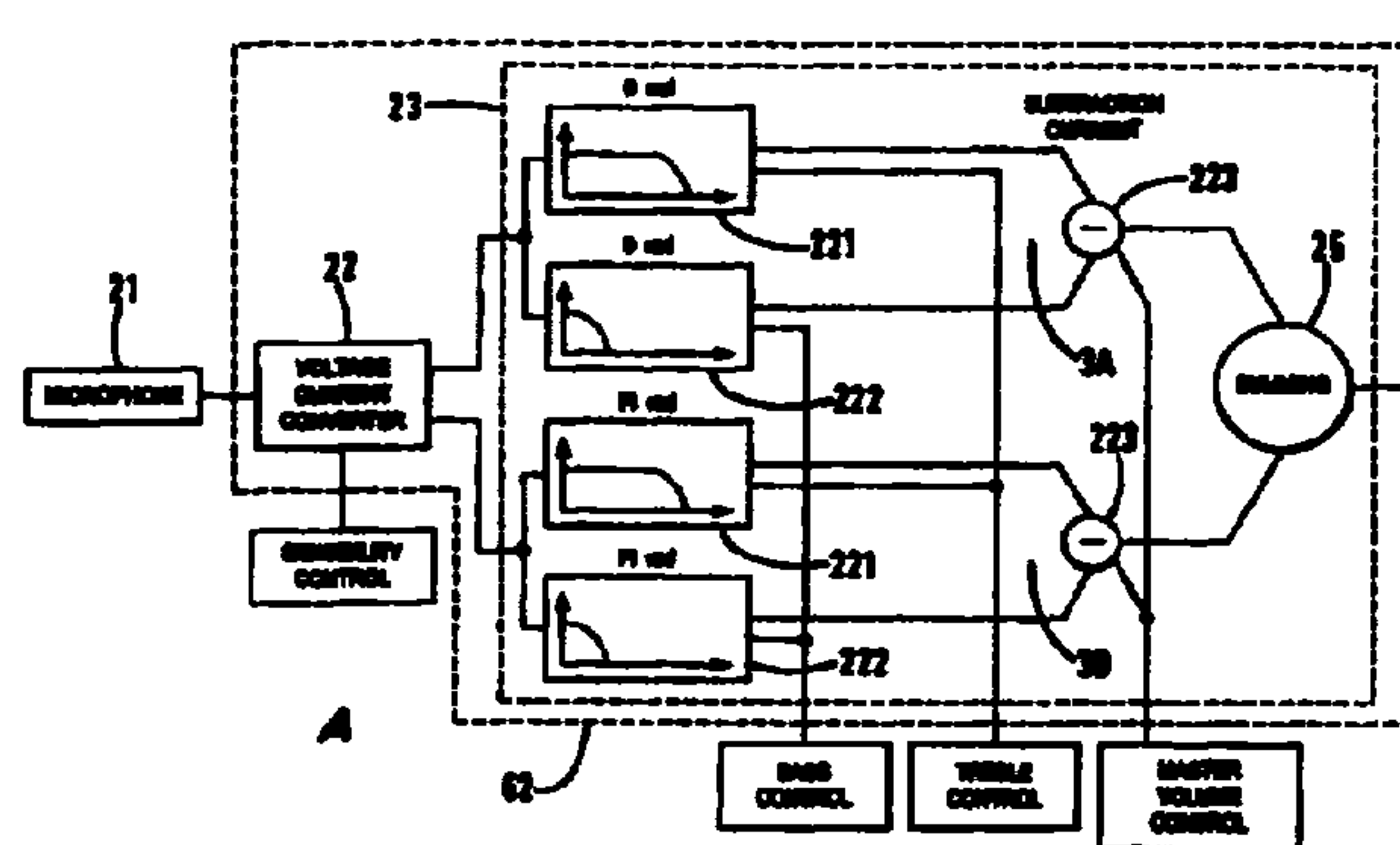
(51) Int.Cl.⁶ H04R 25/00

(30) 1998/01/12 (9800585.3) GB

(30) 1998/07/27 (9816351.2) GB

(54) **PROCESSEURS DE SIGNAUX AUDIO**

(54) **AUDIO SIGNAL PROCESSORS**



(57) Ce processeur de signaux audio comprend une commande de tonalité (23) laquelle contient deux filtres passe-bas (221, 222) fonctionnant en mode courant et un soustracteur (223) qui soustrait les courants de sortie des filtres, afin de produire une caractéristique passe-bande. Chaque filtre est constitué par un filtre en mode courant log-domaine syntonisable, comportant des transistors MOS fonctionnant en inversion faible. Cette commande de tonalité peut servir dans des processeurs de signaux audio, dans des prothèses auditives et dans des implants cochléaires de type monocanal et multicanal.

(57) An audio signal processor includes a tone control (23). The tone control comprises two low-pass filters (221, 222) operating in current-mode and a subtractor (223) which subtracts the output currents of the filters to produce a band-pass characteristic. Each filter is a tuneable log-domain current-mode filter comprising MOS transistors operating in weak inversion. The tone control is useful in audio signal processors, hearing aids and single-channel and multi-channel Cochlear implants.





PCT

WORLD INTELLECTUAL PROPERTY ORGANIZATION
International Bureau

INTERNATIONAL APPLICATION PUBLISHED UNDER THE PATENT COOPERATION TREATY (PCT)

<p>(51) International Patent Classification ⁶ : H04R 25/00</p>	<p>A1</p>	<p>(11) International Publication Number: WO 99/35882 (43) International Publication Date: 15 July 1999 (15.07.99)</p>
--	------------------	---

(21) International Application Number: PCT/GB99/00055
 (22) International Filing Date: 8 January 1999 (08.01.99)
 (30) Priority Data:
 9800585.3 12 January 1998 (12.01.98) GB
 9816351.2 27 July 1998 (27.07.98) GB
 (71) Applicant (for all designated States except US): IMPERIAL COLLEGE OF SCIENCE, TECHNOLOGY & MEDICINE [GB/GB]; Sherfield Building, Exhibition Road, London SW7 2AZ (GB).
 (72) Inventors; and
 (75) Inventors/Applicants (for US only): O'NEILL, Graham [GB/GB]; 15 Brynmorlais Street, Penydarren, Merthyr Tydfil CF47 9YE (GB). GERMANOVIX, Walter [BR/BR]; Apartamento 1102, Rua Pio XII, 731, CEP-86020-311 Londrina, PR (BR). TOUMAZOU, Christofer [GB/GB]; 4 Hurst Lane, Cumnor Hill, Oxford OX2 9PR (GB).
 (74) Agent: PRATT, Richard, Wilson; D. Young & Co., 21 New Fetter Lane, London EC4A 1DA (GB).

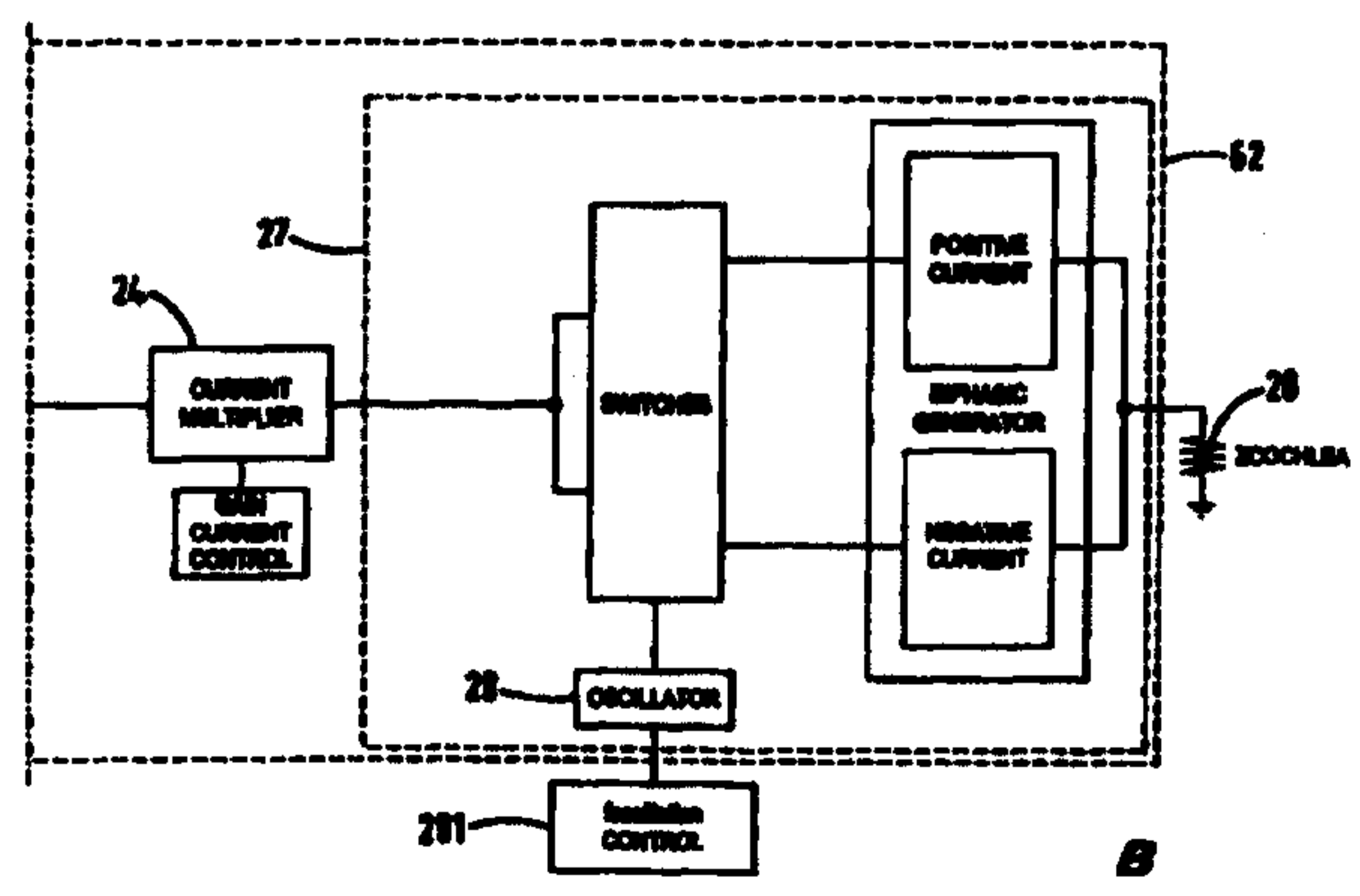
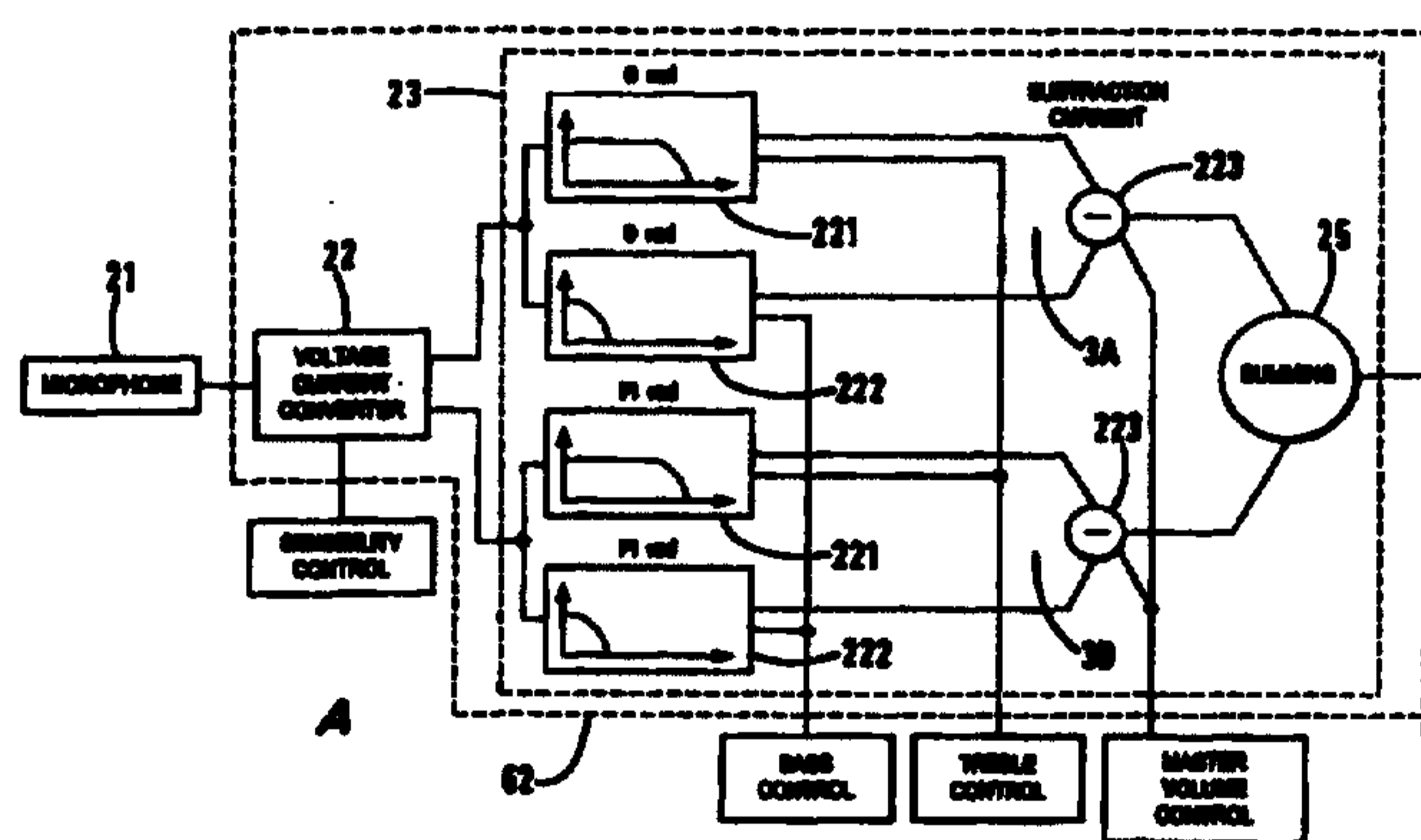
(81) Designated States: AL, AM, AT, AU, AZ, BA, BB, BG, BR, BY, CA, CH, CN, CU, CZ, DE, DK, EE, ES, FI, GB, GD, GE, GH, GM, HR, HU, ID, IL, IN, IS, JP, KE, KG, KP, KR, KZ, LC, LK, LR, LS, LT, LU, LV, MD, MG, MK, MN, MW, MX, NO, NZ, PL, PT, RO, RU, SD, SE, SG, SI, SK, SL, TJ, TM, TR, TT, UA, UG, US, UZ, VN, YU, ZW, ARIPO patent (GH, GM, KE, LS, MW, SD, SZ, UG, ZW), Eurasian patent (AM, AZ, BY, KG, KZ, MD, RU, TJ, TM), European patent (AT, BE, CH, CY, DE, DK, ES, FI, FR, GB, GR, IE, IT, LU, MC, NL, PT, SE), OAPI patent (BF, BJ, CF, CG, CI, CM, GA, GN, GW, ML, MR, NE, SN, TD, TG).

Published
 With international search report.
 Before the expiration of the time limit for amending the claims and to be republished in the event of the receipt of amendments.

(54) Title: AUDIO SIGNAL PROCESSORS

(57) Abstract

An audio signal processor includes a tone control (23). The tone control comprises two low-pass filters (221, 222) operating in current-mode and a subtractor (223) which subtracts the output currents of the filters to produce a band-pass characteristic. Each filter is a tuneable log-domain current-mode filter comprising MOS transistors operating in weak inversion. The tone control is useful in audio signal processors, hearing aids and single-channel and multi-channel Cochlear implants.



Audio Signal Processors

The present invention relates to audio signal processors. Preferred
5 embodiments of the invention relate to audio signal processors for use in aural
prosthetic devices. Some embodiments of the invention concern audio signal
processors for use in hearing aids. Other embodiments of the invention concern audio
signal processors for use in Cochlear Implants. Yet further embodiments concern
hearing aids and Cochlear Implants.

10 Audio Signal Processors, and in particular, Hearing Aids.

Conventional hearing aids provide considerable help for most individuals with
a mild, moderate or severe hearing loss. Whilst modern aids are small and consume
little power, there is a desire to further reduce the size and power consumption of
hearing aids. In addition it is desirable to produce a simple circuit with reduced cost
15 for a hearing aid. Such a simple circuit would also be applicable to other audio signal
processing tasks.

Also, a pre-requisite of all modern hearing-aids is a method of adjustment of
the intensity-frequency content of the output of the device in order to compensate
appropriately, across the frequency range, for the individual's pattern of hearing loss.
20 For any one frequency, or band of frequencies, this includes device adjustment for
both the 'threshold' level of hearing and the 'uncomfortable' loudness level; the
difference between these two values being known as the 'dynamic range'. Tone
controls are known for various audio applications: see [1], [2] and [3]. In
conventional hearing-aids tone control is accomplished by potentiometer-controlled
25 low and high-pass analogue filtering in combination with 'output compression'.

According to one aspect of the invention there is provided an analogue signal
processor the analogue processor having an input for receiving an audio signal, an
output for delivering a processed audio signal to an audio output transducer, and log-
domain filter means comprising MOS transistors operating weak inversion for
30 processing the audio signal. The audio signal is preferably a current signal.

The invention also provides a hearing aid comprising the analogue signal processor of the said one aspect of the invention.

Thus, the invention provides a very low power consumption by virtue of the MOS transistors operating in weak inversion.

5 Cochlear Implants

Hearing aids are of little help where the deafness is 'profound', that is average loss is greater than about 96dB in both ears. In such cases an electronic device, surgically implanted in the inner-ear, can provide electrical stimulation to the nerve of hearing, giving the individual a degree of hearing sensation. In some cases open-set
10 speech discrimination is possible, e.g. understanding a telephone conversation.

A Cochlear Implant takes-in environmental sounds, including speech, and converts this into an electrical signal which, by way of for example an implanted wire electrode array, stimulates discrete regions of the inner-ear Cochlea.

From the mid 1980s to around 1990, patients considered suitable for a
15 Cochlear Implant were mainly adults who had, before their deafness, acquired speech and language. They were old enough to understand the implications regarding surgery and post-operative rehabilitation and, having past experience of speech and language, there was considerable potential for a return to an oral communication environment. Gradually, as clinicians around the world became more aware of the benefits of the
20 Cochlear Implant, the focus of attention turned to the profoundly deaf child. From around 1990 onwards, an increasing number of children received a Cochlear Implant and, in the main, the results have been encouraging.

Because of the success of Cochlear Implants it is expected that, in the future, these devices will even be considered for patients having a greater amount of residual
25 hearing.

Although there have been proposals to provide analogue circuits for use in Cochlear Implants (see [6],[9]) according to the current knowledge of the applicants at present all Cochlear Implants are actually implemented with Digital Signal Processors. Present devices, regardless of manufacturer, are based upon digital technology, for
30 example standard DSP chips and ASICs. The patient wears an external 'speech processor', about the size of a large match-box. This picks-up and processes

environmental sounds and passes an electrical signal, via a radio-frequency link, to a 'receiving' device implanted in the ear. This internal receiver sends an electrical signal through a long thin multi-electrode array (up to 22 separate electrodes) within the inner turns of the Cochlea. Thus, the Cochlea is electrically stimulated at discrete sites and the result is a perception of sound. The stimulus intensity, delivered to each channel of the electrode array, needs to be programmed 'channel by channel'. This technology has significant advantages of flexibility, with modifications being achievable through software rather than hardware. The use of a Digital Signal Processor (DSP) provides the manufacturer with the ease of using software to alter various parameters which might be thought important in the development of new processing strategies.

It is desirable to provide in a Cochlear Implants a method of adjustment of the intensity-frequency content of the output of the device in order to compensate appropriately, across the frequency range, for the individual's pattern of hearing loss. For any one frequency, or band of frequencies, this includes device adjustment for both the 'threshold' level of hearing and the 'uncomfortable' loudness level; the difference between these two values being known as the 'dynamic range'. With Cochlear Implants, this output shaping has, up to the present time, been performed by channel-by-channel 'programming'.

The Cochlear Implant designs discussed hereinabove are based upon long, multi-channel electrodes, inserted deep within the Cochlea. The multi-channel design can be used to provide tonotopically distributed information from several processing strategies namely:

- i. Continuous Interleaved Sampling - CIS
- ii. Feature Extraction or
- iii. Analogue compression

Good results, in terms of open-set speech discrimination have been reported, particularly with the CIS and Feature Extraction strategies.

There are disadvantages associated with Cochlear Implants especially multi-channel implants:-

i. Deep insertion of long electrodes can cause considerable damage to surviving neuronal tissue in the diseased cochlea. That is, residual hearing, albeit minimal, is destroyed.

ii. The fitting/programming of current multichannel devices requires channel by-channel adjustment of stimulation levels for both threshold and uncomfortable levels. Considerable expertise is required to programme a 'MAP' which the user feels is the most useful. With current Cochlear Implants, having between 12 and 22 separate electrodes, this 'channel-by-channel' programming is time-consuming, particularly since the implant has to be re-programmed about 3-4 times over the first 12 months after the operation. Some users, even with appropriate counselling, regularly attend for 'reprogramming', over several years, in the hope that one particular 'programme' will result in almost perfect hearing.

iii. The DSP based technology has significant drawbacks of high power consumption and physical size. With the current digital devices batteries need changing every few (e.g. 1-2) days or even more frequently, and many patients are unhappy about wearing a relatively large speech processor, although smaller 'behind-the ear' digital processors have reached a fairly advanced stage of development.

iv. Hardware costs are high (approximately £ 15,000).

The use of a short electrode, single channel system has been advocated by House [7]. He argues that such a system has advantages over a 'long electrode' design in that-

- i. A short single intra-cochlea electrode will significantly reduce the possibility of damage to residual hearing.
- ii. The system design is simple and relatively inexpensive (about 1/3 the cost of a multichannel system)
- iii. Power consumption is low, and a head-worn processor can be used.
- iv. Fitting/programming is easier and quicker than with multichannel devices.

The articles [6] and [9] disclose an analogue log-domain low-pass filter implemented in MOS technology and having MOS transistors working in weak

inversion. The articles propose the use of such filters in an electronic Cochlear prosthesis.

According to another aspect of the present invention, there is provided an analogue audio signal processor for use in a cochlear implant, the processor
5 comprising:

an input for receiving an audio signal,

an output for delivering a processed audio signal to a cochlear implant electrode, and a tone control circuit for adjusting the intensity-frequency content of the audio signal fed to the output and comprising first and second filters having different
10 low-pass bands and a subtractor for subtracting the output currents of the filters to produce band-pass filter characteristic,

each of the first and second filters being log-domain filters comprising MOS transistors operating in weak inversion.

The audio signal is preferably a current signal.

15 The invention involves the use of analogue electronics in a way which allows realisation of an extremely small processor with a very low power requirement. Weak inversion or sub-threshold mode of operation of MOS transistors results in an exponential characteristic (or a natural logarithmic characteristic) which is compatible with the exponential characteristic of the Cochlear. Although we envisage the
20 processor being kept external (e.g. behind-the-ear), the invention does, theoretically, allow consideration of a totally implantable device. This is not true of even the most modern developments in digitally-based devices. If the tone control is implanted in the Cochlear, adjustment of the frequency response is performed by wireless remote control. The tone control allows the user for the first time in cochlear implants to
25 control the frequency/intensity content of the audio signal.

According to a further aspect of the invention, there is provided an analogue audio signal processor for use in a cochlear implant prosthesis, comprising

an input for receiving an audio signal,

a plurality of outputs for connection to respective cochlear implant electrodes, for
30 delivering processed audio signals thereto, and

a tone control common to all the outputs for simultaneously adjusting the intensity/frequency content of processed audio signals fed to the said outputs, the tone control comprising MOS transistors operating in weak inversion.

According to a yet further aspect of the invention, there is provided a single
5 channel audio signal processor for use in a Cochlear prosthesis, and including a tone control comprising a log-domain filter having MOS transistors operating in weak inversion, and means controllable by the user of the prosthesis for adjusting the frequency response of the tone control.

According to yet another aspect of the invention, there is provided a multi-
10 channel channel audio signal processor for use in a Cochlear prosthesis and including a tone control common to all the channels at least the frequency response of which is controllable by the user.

We believe that for adults at least, and with the appropriate professional support, giving the user the ability to adjust the tonal quality of their device would be
15 a significant step towards simplifying device re-programming after the initial fitting. We also believe that by this means the user would more readily accept the limitations of the implant and not, as is the case with some, become frustrated with the clinician's attempts at re-programming to reach a quality of sound perception which is, perhaps, for them, unachievable. To this end, our Cochlear Implant design, unlike other
20 current designs, incorporates a 'tone-control', providing easy and rapid frequency shaping of the output. This constitutes a new innovation in Cochlear Implants. Also the use of a tone control common to all the channels of a multi-channel Cochlear Implant allows the instant and simultaneous adjustment of all the channels.

According to yet another aspect of the invention, there is provided
25 analogue multi-channel audio signal processor for use with a Cochlear Prosthesis and comprising

an input for receiving an audio signal,

a plurality of outputs for connection to respective Cochlear
Implant electrodes,

30 a plurality of analogue, signal processing channels coupled to the said input and each comprising a log-domain filter having MOS

transistors operating in weak inversion, the channels being coupled to respective ones of the outputs, the intensity/frequency response of each channel being adjustable, and

5 means for adjusting the intensity/frequency response of each channel.

Thus, a multi-channel audio signal processor for use in a cochlear prosthesis is provided, having a small size and low power consumption.

10 The adjustment of each filter allows the patient to adjust the processor him or her self. Preferably the adjusting means is a wireless remote control. Preferably the remote control has buttons for selecting respective ones of the channels. Most preferably, the patient adjusts the gain (volume) of the chosen channel between the threshold and uncomfortable levels of sound intensity. The patient may be able to vary filter frequency of a channel in some embodiments. The patient may need the assistance of a skilled technician to guide him or her in the adjustment.

15 Thus, this aspect of the invention allows the patient to control the processor him or her self (albeit with some guidance from a technician). This simplifies reprogramming after initial fitting and the patient may more readily accept the limitations of the Cochlear Implant

20 According to a yet further aspect of the invention, there is provided a current mode analogue tone control circuit for use in an audio signal processor, the tone control comprising MOS transistors operating in weak inversion. Such a tone control provides reduced size and power consumption. The audio signal processor may be an aural prosthetic device.

25 For a better understanding of the present invention and to show how the same may be carried into effect, reference will now be made by way of example to the accompanying drawings in which:-

Figure 1 is a schematic block diagram of an illustrative hearing aid in accordance with the invention;

30 Figure 2 is a schematic block diagram of an illustrative single channel Cochlear Implant prosthesis;

Figure 3 to 5 are diagrams illustrating the operation of the prosthesis of Figure 2;

Figure 6 is a schematic block diagram of an illustrative multi-channel Cochlear Implant prosthesis;

5 Figure 7 is a schematic diagram illustrating the operation of a sample interleaving circuit of the prosthesis of Figure 7;

Figures 8A to C are diagrams of an inventive tone control circuit suitable for use in the hearing aid of Figure 1, or the prosthesis of Figure 2 or 6;

10 Figures 9A and 9B are frequency/amplitude diagrams for the tone control of Figure 8;

Figure 10 is a schematic block diagram of a Hearing Aid or Cochlear Implant according to the invention and having a wireless remote control;

Figure 11 is a diagram of the Voltage to Current converter of Figure 1,2 or 6; and

15 Figure 12 is a diagram illustrating control of sensitivity;

Figures 13A to D are diagrams of an example of a band-pass filter of the multi-channel Cochlear implant of Figure 6.

Hearing Aid

Referring to Figure 1 an illustrative hearing aid according to the invention
20 comprises a microphone 1, a voltage to current converter, which is also a compressor,
2, a tone control 3 according to the invention, a current amplifier 4, and a loudspeaker
5 preferably in the form of an earpiece. The hearing aid operates entirely in the
analogue domain. The microphone 1 produces audio signals having a particular
dynamic voltage range but the ear requires a different, smaller, dynamic range. The
25 compressor 2 compresses the dynamic range and converts the voltage to current. The
compressor 2 may also provide sensitivity control controllable by the user. The tone
control 3 is controllable by the user and allows adjustment of bass, treble and volume.
The tone control 2 feeds the compressed current frequency adjusted by the tone
control to the earpiece 5 via the high gain current amplifier 4, which may have a
30 current gain control.

The compressor 2, which will be described hereinafter with reference to Figures 11 and 12, comprises CMOS transistors operating in weak inversion. The compressor preferably has a sensitivity control which controls the slope (gain) of the transfer function of the compressor as shown in Figure 12.

5 An example of the tone control 3 is shown in Figure 8 and will be described hereinafter. The tone control is an analogue circuit comprising field effect transistors operating in weak inversion. It provides adjustment under the control of the user of the frequency response of the hearing aid and of volume.

10 The current amplifier 4 also comprises field effect transistors operating not in weak inversion mode, but with very small currents. The amplifier 4 amplifies the very small current (e.g. nano-amps) output by the tone control 3 to a current (e.g. micro-amps) sufficient to activate the earpiece.

The compressor 2, the tone control 3 and the amplifier 4 may be integrated into a single analogue Integrated Circuit indicated by box 6.

15 The hearing aid of Figure 1 has extremely low power consumption and allows the user to control at least the frequency response and volume. The hearing aid may be controlled, via an interface 7, by a wireless remote commander 8.

The audio signal processor of Figure 1 may be used for audio signal processing in applications other than hearing aids.

20 Single Channel Cochlear Implant

Figure 2 shows an illustrative example of a single channel Cochlear Implant according to the invention. This single channel embodiment of the invention operates entirely in the analogue domain.

25 A microphone 21 produces audio voltage signals which are fed to a compressor 22 which converts the voltage signals to audio current signals. The compressor circuit 22 process the signal into a certain dynamic range appropriate for the specific individual. The dynamic range of the output current is controlled by the compressor. The dynamic range that contains most of the area of speech sounds is from about 40dB to 80dB and, the dynamic range for electrical stimulation is narrow,
30 in the region between 2dB and 20dB varying from individual to individual. In order to perform the electrical compression of the signal the compressor 22 converts voltage to

current. That is, the dynamic range of voltage is converted into the dynamic range of current. Here, dynamic range stands for the range between the threshold and uncomfortable levels of hearing. An example of a compressor is shown in Figure 11. Preferably the compressor allows the adjustment of the dynamic current range by means of a current control. In this example the VIC acts as a sensitivity as well. The amplifier/compressor 2 is implemented by an MOS circuit operating in the weak inversion mode. Because the weak inversion mode is exponential (or natural logarithmic) in characteristic, it effects compression in a manner compatible with the exponential characteristic of the Cochlear.

10 A tone control 32 allows the user to adjust the frequency response of the system whilst the system is in use:- that has not been possible before in a Cochlear Prosthesis. A circuit useful in the tone control will be described with reference to Figures 8 and 9. A current amplifier 24, having a current gain control, amplifies the current output by the tone control 23 and provides it to a biphasic signal generator 27
15 which applies a biphasic current to a single implantable electrode 28.

Referring to Figure 3, a biphasic signal is a sampled signal having successive samples each comprising sub-samples S1 and S2 etc. of opposite polarity; that is a positive current pulse followed by a negative current pulse.. The samples are of the audio signal produced by the tone control and the current amplifier. A biphasic signal
20 is needed to energize an electrode implanted in the Cochlea because applying only pulses of one polarity desensitizes the nerve endings. In the biphasic signal generator 27, an oscillator 29 (which may be controllable) produces a "square wave" voltage 301 oscillating between a positive limit and a negative limit. The amplified output current of the tone control amplitude modulates the square wave 301 to produce the
25 sampled biphasic current signal 302. It will be appreciated that for simplicity Figure 3 is schematic and assumes modulation by a sine wave. The frequency of the biphasic oscillator is preferably variable by the patient. The sampling rate may a rate known in the art. Although the sampling rate could comply with Nyquist in practice it is much lower and each sample is a burst of varying audio as shown in Figure 3 at S1 and S2.

30 Referring to Figure 4 the signal which amplitude modulates the square wave is a full-wave rectified signal 401 which is produced by the tone control 23 so that the

Cochlear implant does not stimulate in a silent environment. Ignoring the effect of the tone control, full wave rectification is achieved by producing two audio currents 402 and 403 of opposite phase, rectifying each (e.g. by shifting the DC levels of the currents) to produce half wave rectified currents 404 and 405 and adding the currents 404 and 405 using an adder 25.

Referring to Figures 2, 4 and 5, the currents 402 and 403 of opposite phase are produced by complementary outputs of the compressor 22 and fed to the tone control 23. The tone control includes two identical circuits 3A and 3B (an example of which will be described with reference to Figure 8). The circuits 3A and 3B process the respective signals 402 and 403. Each circuit 3A and 3B comprises a pair of low pass filters 221 and 222 having different pass bands. A subtractor 223 subtracts the outputs of the two circuits to produce a band-pass filtered signal as shown in Figure 5. The half wave rectification by DC level shifting may take place in the subtractor 223.

The system of Figure 2 may comprise a housing containing the microphone 1, amplifier/compressor 22 tone control 23, the amplifier 24 and the biphasic signal generator 7 and which is worn by the user. The compressor 22, the tone control 23, the amplifier 24 and the biphasic signal generator 27 are preferably integrated into a single chip analogue integrated circuit 62. As will be described with reference to Figure 10, at least the tone control 23 may be controlled by a wireless remote commander.

Multi-channel Cochlear Implant

Figure 6 shows another embodiment of a Cochlear Implant according to the invention and which also operates entirely in the analogue domain. The embodiment is a multi-channel embodiment having an array of electrodes 81 to 84 which in use are implanted in the ear. In the example of Figure 6 only four channels are shown. In other examples there are at least two channels, and there may be more than four channels. A microphone 61, and compressor 62 similar to those of Figure 2, produce compressed audio current signals. The compressor 62 is arranged to produce oppositely phased signals on respective outputs. The oppositely phased signals are fed to tone control circuits 3A and 3B as will be described with reference to Figures 8 and 9. Each circuit 3A, 3B comprises two low pass filters 221, 222, the outputs of which

are fed to respective subtractors 623. Unlike the subtractor 223 of the system of Figure 2, the subtractors 623 of Figure 6 produce unrectified, oppositely phased, current signals. The pair of unrectified opposite phase current signals are fed to respective arrays of band-pass filters 101A to 104A and 101B to 104B. Band pass
5 filters 101A and B have the same filter characteristic and produce corresponding filtered signals of opposite phase. The other band pass filters 102A to 104A and 102B to 104B likewise produce correspondingly filtered signals of opposite phase. The band pass filtered signals are fed to half wave rectifiers 11, for example DC level shifting circuits. Corresponding half wave rectified signals of opposite phase are summed in
10 adders 91 to 94 to produce full wave rectified signals which are amplified in respective current amplifiers 41 to 44. The fullwave rectified current signals produced by the amplifiers 41 to 44 correspond to different pass bands defined by the filters 101 to 104.

A circuit comprising MOS transistors, the transistors operating in weak
15 inversion, is preferably used to implement the Band-pass filters 101 to 104 of Figure 6. An example of a suitable circuit is described with reference to Figure 13.

The fullwave rectified current signals produced by the amplifiers 41 to 44 are fed to an interleaving circuit 12 which samples the signals and interleaves the samples to produce Continuously Interleaved Samples which are biphasic modulated and
20 applied to the array of Cochlear Implant electrodes 81 to 84. An oscillator 69 produces a biphasic square voltage wave. Referring to Figures 6 and 7, there are in effect four channels (in this example) associated with respective pass bands. One channel comprises the pair of band pass filters 101A and B the adder 91 and the electrode 81. The other channels likewise comprise a pair of band pass
25 filters(102A,B; 103A,B; and 104A,B) an adder (92, 93, 94) and an electrode (82, 83, 84). Thus each of the electrodes 81 to 84 is associated with a respective one of the pass bands. The interleaving of the samples is controlled by the interleaving circuit 12. The interleaving circuit activates each channel in turn: when one channel is active all the other channels are inactive. Referring to Figure 7, the circuit 12 sequentially
30 connects: electrode 81 to filter 101A,B; the electrode 82 to filter 102A,B; the electrode 831 to filter 103A,B; and the electrode 841 to filter 104A,B etc.. Each

electrode receives a positive and a negative current pulse which together form one sample.

The system of Figure 6, except for the microphone 61, the controls and the electrodes may be integrated into a single analogue integrated circuit 65.

5 Various modifications may be made to the Cochlear implants of Figures 2 and 6. For instance, the pulses produced by the oscillator 29, 69 may be controlled by a control 291, 691. The pulse repetition rate and/or the pulse widths may be varied. The sampling rate for each electrode may be a rate known in the art for Continuous Interleaved Samples. Although the sampling rate could comply with Nyquist in
10 practice it is much lower and each sample is a burst of varying audio as shown in Figure 3 at S1 and S2.

The design of the illustrative Cochlear Implant prosthesis described with reference to Figures 2 and 6 focuses on two areas :

15 i) Low-power electronics:

The system focuses upon a new design of analogue electronics architecture. The core of the design, especially the tone control and the bandpass filters, makes use of CMOS transistors operating in weak inversion. Other parts of the system operate in the micro-power regime and preferably in weak inversion.

20 ii) 'Tone-Control' for a single channel system and for a multi-channel system:

In the multi-channel system the tone control is preferably common to all channels to provide instantaneous adjustment over all channels. The tone control is based upon two low pass filters and a current subtractor.

As will be described with reference to Figure 8, the tone control comprises
25 CMOS transistors which operate in weak inversion (sub-threshold mode) in current mode and the circuit structure is based on the 'log-domain' for building the filters tunable in the audio frequency range.

Tone Control

Figures 8A to C together show a tone-control circuit useful in the hearing aid
30 of Figure 1 and in the systems of Figures 2 and 6. The tone control as shown in Figure 8A comprises two first-order log-domain filters 221 and 222 and a subtractor

223 or 623 built with CMOS transistors operating in weak inversion. The tone-controller is capable of providing bass cut/boost and treble cut/boost operation as shown in Figures 9A and 9B.

The role of the tone controller is to boost/cut the low/high frequencies of the audio range. This is accomplished by the implementation of a flexible frequency shaping function which facilitates the selective placement of poles and zeros on the complex plane. In the embodiments of the invention shown in Figures 2 and 6, the tone-controller is a subsystem of an all-analogue implementation of Cochlear Implant device where physical constraints such as size and power consumption dictate the necessity of its implementation in an analogue very low power environment, particularly without the incorporation of conventional active (e.g. op-amps) or resistive elements. More specifically, even for a diseased Cochlea the hearing sensation depends upon the frequency of the incoming signal. For a diseased Cochlea with greater sensitivity at low frequencies than at high frequencies (or vice-versa) the tone control will act to balance the hearing sensation to a comfortable level. The design of the circuit of Figures 8 and 9 is based on the log-domain design technique [4-5] which exploits the intrinsic non-linear (exponential) behavior of a transistor and provides extended dynamic range under low power supply levels. In [6] it was shown that this technique is suited for use with MOS transistors in weak-inversion mode (or sub-threshold mode [8]) of operation. In addition to the wide dynamic range possible with the log-domain technique, the design versatility offered by the implementation provides for ease and flexibility of tuning. In addition the exponential characteristic of MOS transistors operating in weak inversion and the log-domain design matches the exponential response of the Cochlea.

For the specific application for which the tone-controller is intended, a bass-cut treble-cut operation is of primary importance as the controller operates in conjunction with a separate volume control section, for example, the amplifier/compressor 2 or the current multiplier 24, 41-44. Hence a "two pole - one zero" frequency shaping network is appropriate. This is achieved by using a pair of first-order low-pass log-domain filters 221 and 222 which are built by means of MOS transistors operating in

weak-inversion and which are tuneable in the audio frequency range. The output signal is the difference produced by a subtractor 223, 623 of the outputs of the two filters.

An example of one of the log-domain filters is shown in Figure 8B. As is known from [4], [5] and [6], the log-domain filter comprises a log-compressor 801, a filter cell 802, a DC level shift 803, and an exponential expander 804.

The log compressor 801 includes a current source 806 having an input 805 for receiving an input current I_{in} from the voltage to current converter 2 or 22, I_{in} is the compressed audio current signal. The current source 806 produces a current $I_{in} + I_b$. The filter cell 802 includes a current source 807 producing a current I_d . The DC level shifter 803 has current sources 808 and 809 producing currents I_o which are controllable by a control input 810.

By selection of I_d and I_o the filter operates as a low pass filter. By varying I_o , the response of the filter is varied as shown in Figure 9A or 9B.

As shown in Figure 8C, two filters 221, 222 (each as shown in Figure 8A) including the current sources are implement entirely in MOS transistors operating in weak inversion. Filter 222 is coupled to the subtractor by a high impedance buffer 888. The output current $I_{out}(s)$ of the subtractor 223, 623 is given by $I_{out}(t) =$

$$\frac{I_{02} \cdot I_{b2}}{I_{d2}} - \frac{I_{01} \cdot I_{b1}}{I_{d1}} + L^{-1} \left[\frac{I_{02}}{I_{d2}} - \frac{I_{01}}{I_{d1}} \right] \left[1 + \frac{\frac{s}{\frac{I_{02}}{I_{d2}} - \frac{I_{01}}{I_{d1}}}}{\frac{I_{02}(c_1 \cdot nV_t)}{I_{d1} \cdot I_{d2}} - \frac{I_{01}(c_2 \cdot nV_t)}{I_{d1} \cdot I_{d2}}} \right] I_{in,ac}(s)$$

$$\left[1 + \frac{s}{\frac{I_{d2}}{C_2 \cdot nV_t}} \right] \left[1 + \frac{s}{\frac{I_{d1}}{C_1 \cdot nV_t}} \right]$$

Equation 1

In Equation 1, V_t is the thermal voltage kt/q of the MOS transistors, n is a process parameter and L^{-1} is the inverse Laplace transform. The meaning of the other terms is evident from Figure 8C.

Equation 1 results in a broad passband frequency shaping network, suitable for the particular application. In the case when a tone-controller of the Baxandall type approximated by a "two-pole two-zero" function is needed, it can be implemented by feeding the input signal to the output of a log-domain lowpass 'biquad' and taking the difference as the output signal. A 'biquad' is a filter described by a biquadratic equation. The subtractor comprises transistors M2=M3=M4=M5 with $W = 2.4\mu\text{m}$ and $L = 2.0\mu\text{m}$, and transistor M1 with $W = 10\mu\text{m}$ and $L = 2.0\mu\text{m}$, for the appropriate dc output level to be realised.

The operation of the proposed circuit was simulated with SPECTRE models and AMS 2.0 μm process parameters. Figures 9A and B show the effect of the tone control at low and high frequencies. The input current is of class-A having the formula $I_{in}(t) = I_{bias}[1 + m \sin(\omega t)]$, m being the modulation index. When $I_{bias} = 10\text{nA}$ and the corner frequencies of the network is about 100 Hz and 12000 Hz, an input tone of 1000 Hz modulated by $m = 20, 30$ and 40% exhibits a THD level of -58.2 dB, -55 dB and -56.2 dB respectively. For the same corner frequencies two equal amplitude sinusoidal tones with frequencies equal to 900 Hz and 1100 Hz and modulated by $m = 40\%$ exhibited an InterModulation Distortion (IMD) level of -46.3 dB. (IMD is distortion produced when two signals are simultaneously applied to the filter.)

Thus a specific tone controller suitable for a micropower environment has been described by way of example. The circuit comprises two log-domain lossy integrators 221 and 222 and a subtractor 223 and takes advantage of the exponential behaviour of the MOS transistors when operated in weak inversion to match the characteristics of the Cochlea. The good dynamic range offered by the log compression coupled with flexible tuning adaptability are highly advantageous when attempting to realise an implantable analogue silicon device as a biological auditory prosthesis. The System described herein-above mainly focuses upon a new design of electronics architecture, resulting in smaller size and lower power consumption. The design is able to be applied to a multichannel CIS strategy and it also has the capability to provide a complex pulsatile stimulus to a short, single-channel electrode.

Remote Control

Referring to Figure 10, the integrated circuit block 62 or 65 represents the parts of the embodiments of Figures 2 and 6 which are integratable into a single analogue chip. The chip has control inputs S,B,T,V, and O for sensitivity, bass, treble, volume and oscillator control. A control interface 120 provides control signals to operate the controls S,B,T,V, and O. The interface receives signals transmitted to it wirelessly from a remote commander 121.

Voltage to Current Converter

Figure 11 is a simplified circuit diagram of an example of the voltage to current converter 2, 22, 62 which compresses the dynamic range of the audio signal. The converter is an operational transconductance amplifier having an NMOS differential pair gain stage as known in the art. The converter has oppositely phased outputs I_{d1} , I_{d2} at which currents proportional to the currents I_{d1} and I_{d2} are produced as required by the system of Figure 6. If the converter is used in the system of Figure 2, only one of the outputs is used. The converter has a current source 111. The current I_c through the current source 111 is varied to control the gain of the converter, and thus the sensitivity, as shown in Figure 12.

The NMOS transistors are operating in weak inversion.

$$I_{d1} = \frac{I_c \cdot e^{+x}}{1 + e^{+x}}$$

$$I_{d2} = \frac{I_c \cdot e^{-x}}{1 + e^{-x}}$$

where

$$x = \frac{V_1 - V_2}{n \cdot V_t}$$

where n is a process parameter and $V_t = kT/q$.

I_{d1} and I_{d2} are non-linear with a quasi-linear region. The non-linearity approximately matches the characteristics of the ear. The non-linearity outside the
5 quasi-linear region compresses large current amplitudes to prevent over-stimulation of the Cochlear.

Band Pass Filter

Figures 13A to 13D are diagrams illustrating the construction and operation of one of the band-pass filters 101 of the system of Figure 6. The band-pass filter is
10 based on the work of Frey as described in [4], but is novel in itself.

As shown in Figures 13A and 13B, basic units of the filter are an E+ cell and an E- cell. An E+ cell operates with the positive power supply and an E- cell operates with the negative power supply. Each cell is implemented in CMOS.

For both E+ and E- cells, the output current $I_{out}(t)$ is related to the input
15 current $I_{in}(t)$ by

$$I_{OUT}(t) = \left(\frac{W}{L}\right)_{M_3, M_4} \left(\frac{L}{W}\right)_{M_2, M_2} \cdot i_{in} \frac{V^+ - V^-}{e^{2nV_t}}$$

where M_1 , M_2 , M_3 , M_4 are the transistors indicated in Figures 13A and 13B, W is the channel width, L is the channel length, and V_t is the thermal voltage kT/q .

The E+ and E- cells are combined as shown in Figure 13C to form a log-
20 domain band-pass filter. The filter is shown in more details in Figure 13D. In Figures 13C and 13D:-

I_{in} is the input current,

I_{out} is the output current, I_{dc1} and I_{dc2} are bias currents,

I_o is a current defining the tuning frequency of the filter,

25 n is a process parameter range between 1 and 1.5, and

Q is the quality factor of the filter.

The transfer function of the filter is

$$H(s) = \frac{I_{out}(s)}{I_{in}(s)} = \frac{\left(\frac{I_d}{C.n.V_t}\right)s}{s^2 + \left(\frac{I_d}{C.n.V_t}\right)s + \left(\frac{I_0}{C.n.V_t}\right)^2}$$

where V_t is the thermal voltage kT/q , and n is the process parameter.

The tuning frequency ω_0 of the filter is

$$\omega_0 = I_0 / C.n.V_t, \quad Q = I_0 / I_d, \quad I_d = I_0 / Q$$

$$10 \quad V_{O2} = 2.n.V_t \ln[I_{dc2} / I_{dc1}], \quad I_{dc2} = I_0 [1 + 1/Q], \quad V_{O1} = 2.n.V_t \ln[(I_{in} + I_{dc1}) / I_{dc0}]$$

where I_{dc0} is the saturation current.

Alternative Multi-channel Cochlear Implant

Figure 14 shows another embodiment of a Cochlear Implant according to the invention and which also operates entirely in the analogue domain. The embodiment is a multi-channel embodiment having an array of electrodes 81 to 84 which in use are implanted in the ear. In the example of Figure 14 only four channels are shown. In other examples there are at least two channels, and there may be more than four channels. A microphone 61, and compressor 62 similar to those of Figure 2, produce compressed audio current signals. The compressor 62 is arranged to produce oppositely phased signals on respective outputs. The pair of unrectified opposite phase current signals are fed to respective arrays of band-pass filters 101A to 104A and 101B to 104B. Band pass filters 101A and B have the same filter characteristic and produce corresponding filtered signals of opposite phase. The other band pass filters 102A to 104A and 102B to 104B likewise produce correspondingly filtered signals of opposite phase. The band pass filtered signals are fed to half wave rectifiers 11, for example DC level shifting circuits. Corresponding half wave rectified signals of opposite phase are summed in adders 91 to 94 to produce full wave rectified signals which are amplified in respective current amplifiers 41 to 44. The fullwave rectified current signals produced by the amplifiers 41 to 44 correspond to different pass bands defined by the filters 101 to 104.

A circuit comprising MOS transistors, the transistors operating in weak inversion, is preferably used to implement the Band-pass filters 101 to 104 of Figure 14. An example of a suitable circuit is described with reference to Figure 13.

The fullwave rectified current signals produced by the amplifiers 41 to 44 are fed to an interleaving circuit 12 which samples the signals and interleaves the samples to produce Continuously Interleaved Samples which are biphase modulated and applied to the array of Cochlear Implant electrodes 81 to 84. An oscillator 69 produces a biphase square voltage wave. Referring to Figures 6 and 7, there are in effect four channels (in this example) associated with respective pass bands. One channel comprises the pair of band pass filters 101A and B the adder 91 and the electrode 81. The other channels likewise comprise a pair of band pass filters(102A,B; 103A,B; and 104A,B) an adder (92, 93, 94) and an electrode (82, 83, 84). Thus each of the electrodes 81 to 84 is associated with a respective one of the pass bands. The interleaving of the samples is controlled by the interleaving circuit 12. The interleaving circuit activates each channel in turn: when one channel is active all the other channels are inactive. Referring to Figure 7, the circuit 12 sequentially connects: electrode 81 to filter 101A,B; the electrode 82 to filter 102A,B; the electrode 831 to filter 103A,B; and the electrode 841 to filter 104A,B etc.. Each electrode receives a positive and a negative current pulse which together form one sample.

In accordance with this embodiment of the invention, a tone generator 141 is connected to the input of the compressor 62. The tone generator 141 and the current amplifiers 41 to 44 are controlled by a remote control system comprising a remote commander 143 operable by the patient and a remote control interface 142 which respond to control signals transmitted to it from the commander 143 to control the tone generator 141 and the amplifiers 41 to 44.

The tone generator is arranged to selectively generate respective tones at the fundamental frequencies of the filters 101 to 104. The tone which is generated is selected by the remote control system. The remote control system allows the volume of each channel of the Cochlear Prosthesis to be adjusted by controlling the gain of the current multipliers. The remote control 143 has channel selection buttons CH1 to

CH4 , a store button and one (or in this example two) volume control buttons. In this example there is one button for increasing volume and another for reducing volume. The patient selects one e.g. CH1 of the channels using one of the channel selection buttons.. Selecting one channel CH1 mutes all the other channels CH2 to 4 by
5 reducing the gains of the amplifiers 42 to 44 of the other channels to zero. Selecting one channel CH1 also causes the tone generator to generate a tone of preset amplitude having the fundamental frequency of the filter 101 of that channel. The patient then adjusts the gain of the amplifier 41 of the selected channel CH1 to a preferred value between the threshold and uncomfortable levels of hearing using the volume control
10 buttons on the remote control. The interface 142 stores the selected value for example in response to actuation of the store button so that the setting is not lost when another channel is adjusted. Thus the patient has control of the programming of volume of the 'MAP'. The patient is preferably guided through the adjustment process by a skilled technician.

15 The fundamental frequencies of the filters are fixed in this example. The fixing of the fundamental frequencies may be done by a skilled technician when the prosthesis is first fitted to the patient. In other embodiments of the invention the filter frequencies may be adjusted by the user using the remote control system but such adjustment is currently considered to be too difficult for an unskilled user.

References

- 5
- [1] I.R.Sinclair, "Audio Electronics Reference Book", pp. 373-383 BSP Professional Books , 1989
- [2] R. F. Graf & W. Sheets, "Encyclopaedia of Electronics Circuits", Vol. 6, pp.653, Mc-Graw Hill 1996
- 10 [3] J.Markus , "Modem Electronics Circuits Reference Manuals" , pp.6 1, McGraw Hill 1980
- [4] D.R.Frey , "Log-domain filtering: an approach to current-mode filtering", IEE Proceedings-G , vol. 140, pp. 406-416, 1993.
- 15 [5] D.R.Frey , "Exponential State-Space Filters: A generic current-mode design strategy", IEEE CAS -1 , Vol. 43, No. 1, pp. 34-42, 1996
- [6] C.Toumazou, J. Ngarmmil and T.S. Lande, "Micropower log-domain filter for electronic cochlea", Electronics Letters, Vol. 30, No. 22, pp. 1839-1841, 1994.
- 20 [7] W.F. House, Cochlear Implants: "My Perspective"- Cochlear Implant Monographs.
- [8] Horowitz and Hill, The Art of Electronics 2nd Edition page 122
- 25 [9] J. Ngarmmil C. Tournazou, and T.S. Lande, "A fully tuneable micropower log-domain filter", 21st European solid State Circuits Conference ESSCIRC'95 France. September 1995.
- 30

CLAIMS

1. An analogue audio signal processor, comprising an input for receiving an audio input signal, an output for providing a processed audio output signal, and a tone control circuit coupling the input to the output and comprising first and second log-domain filters having different low-pass bands and a subtractor for subtracting the output currents of the filters to produce a filtered signal, each of the filters comprising MOS transistors operating in weak inversion.
2. A processor according to claim 1, further comprising a compressor coupling the input to the tone control circuit for compressing the dynamic range of the input signal.
3. A processor according to claim 2, wherein the compressor is a voltage-to-current converter.
4. A processor according to claim 2 or 3, wherein the compressor comprises MOS transistors operating in weak inversion.
5. A processor according to claim 4, wherein the compressor is configured to provide control of sensitivity.
6. A processor according to any of claims 1 to 5, further comprising an amplifier for amplifying the filtered output signal of the tone control circuit.
7. A processor according to any of claims 1 to 6, wherein the input signal is a current signal.
8. A processor according to any of claims 1 to 7, further comprising a biphasic signal generator for supplying to the output a biphasic signal modulated by the processed audio output signal.

9. A processor according to any of claims 1 to 8, further comprising full-wave rectification means for full-wave rectifying the processed audio output signal.
10. A processor according to claim 9, wherein the tone control circuit further comprises third and fourth filters having low-pass bands substantially identical to the first and second filters respectively and a further subtractor for subtracting the output currents of the third and fourth filters to produce a further filtered signal, and the full-wave rectification means comprises means coupled to the input for producing oppositely-phased audio signals from the input signal, one of the oppositely-phased audio signals being supplied to the first and second filters and the other of the oppositely-phased audio signals being supplied to the third and fourth filters, half-wave rectification means for half-wave rectifying the filtered signals from the first-mentioned and further subtractors, and a combiner for combining the half-wave rectified signals to effect full-wave rectification.
11. A processor according to claim 10, wherein the third and fourth filters are log-domain filters comprising MOS transistors operating in weak inversion.
12. A processor according to claim 10 or 11, wherein the half-wave rectification means comprises means for applying a dc offset to the filtered signals.
13. A processor according to any of claims 1 to 12, comprising only one output.
14. A processor according to any of claims 1 to 12, comprising a plurality of outputs for providing processed audio signals, and wherein the tone control circuit is common to all the outputs for simultaneously adjusting the intensity/frequency of the processed audio signals at the outputs.
15. A processor according to claim 14, further comprising frequency separation means for separating the intensity/frequency adjusted audio signal into a plurality of frequency-separated signals having different frequency bands.

16. A processor according to claim 15, wherein the frequency separation means comprises a plurality of band-pass filters.
- 5 17. A processor according to claim 16, wherein the band-pass filters are log-domain filters comprising MOS transistors operating in weak inversion.
18. A processor according to any of claims 15 to 17, further comprising a plurality of biphase signal generators for supplying biphase signals modulated by
10 respective ones of the frequency-separated signals to respective ones of the outputs.
19. A processor according to claim 18, further comprising sampling means for applying samples of the frequency-separated signals to the respective biphase
15 signal generators.
20. A processor according to claim 19, wherein the sampling means comprises a continuous interleaved sample generator.
- 20 21. A processor according to any of claims 1 to 20, where configured such that the intensity/frequency is controllable by a user.
22. A processor according to claim 21, comprising means controllable by the user for adjusting the frequency response of the tone control circuit.
25
23. A processor according to claim 22, comprising user controls for controlling bass cut/boost and treble cut/boost.
24. A processor according to any of claims 21 to 23, comprising a user control for
30 controlling signal amplitude.

25. A processor according to any of claims 1 to 24, wherein the or each subtractor has a control input for controlling signal amplitude.
- 5 26. A processor according to any of claims 1 to 25, when implemented as a single chip analogue MOS integrated circuit.
27. An aural prosthetic device comprising the processor according to any of claims 1 to 26.
- 10 28. A hearing aid comprising the processor according to any of claims 1 to 26.
29. A cochlear implant prosthesis comprising the processor according to any of claims 1 to 26.
- 15 30. A multi-channel analogue audio signal processor for use with a cochlear prosthesis, comprising:
an input for receiving an audio signal;
a plurality of outputs for connection to respective ones of cochlear implant electrodes;
20 a plurality of analogue signal processing channels coupled to the input, each channel comprising a log-domain filter comprising MOS transistors operating in weak inversion and being coupled to a respective one of the outputs; and
adjustment means for adjusting the intensity/frequency response of each
25 channel.
31. A processor according to claim 30, wherein each channel further comprises an amplifier having controllable gain, the gain of which amplifier is adjustable by the adjustment means.
- 30 32. A processor according to claim 30 or 31, wherein the adjustment means includes a control interface for allowing adjustment of the gain of each

channel in response to control signals transmitted by a wireless remote control.

- 5
33. A processor according to any of claims 30 to 32, further comprising a tone generator for generating tones of preset amplitude and frequency dependent on the fundamental frequencies of the filters of the channels.
- 10
34. A processor according to claim 33, further comprising tone generator control means for selecting the frequency of the tone produced by the tone generator.
35. A processor according to claim 34, wherein the tone generator control means comprises a wireless remote control.
- 15
36. A processor according to any of claims 30 to 35, where configured such that each channel is adjustable independently of all the other channels.
- 20
37. A processor according to any of claims 30 to 36, further comprising sampling means coupling the channels to the outputs.
38. A processor according to claim 37, wherein the sampling means comprises a continuous interleaved sample generator.
- 25
39. A processor according to any of claims 30 to 38, further comprising a plurality of biphase signal generators for supplying to the outputs biphase signals modulated by the output signals of the channels.

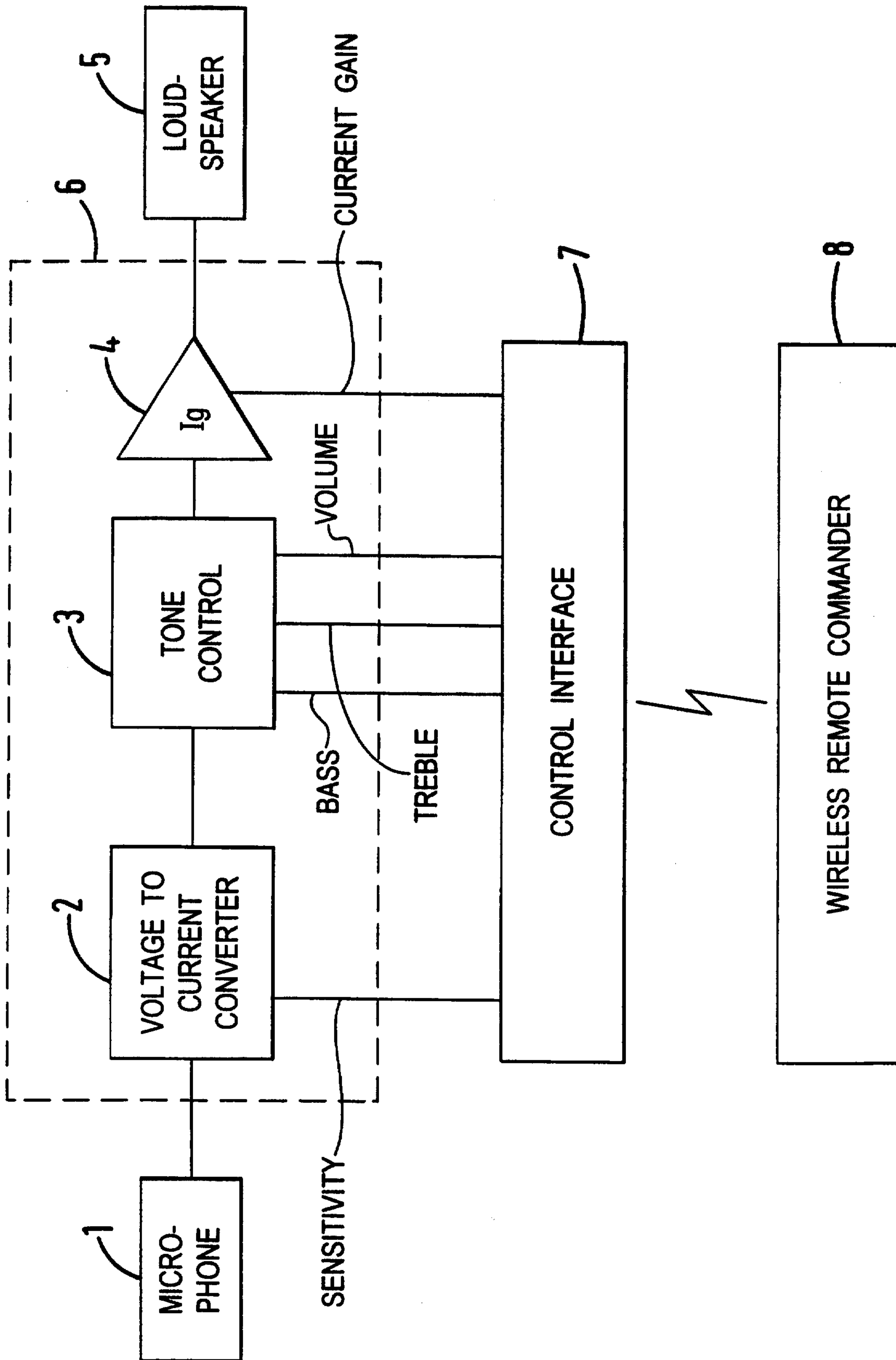


FIG. 1

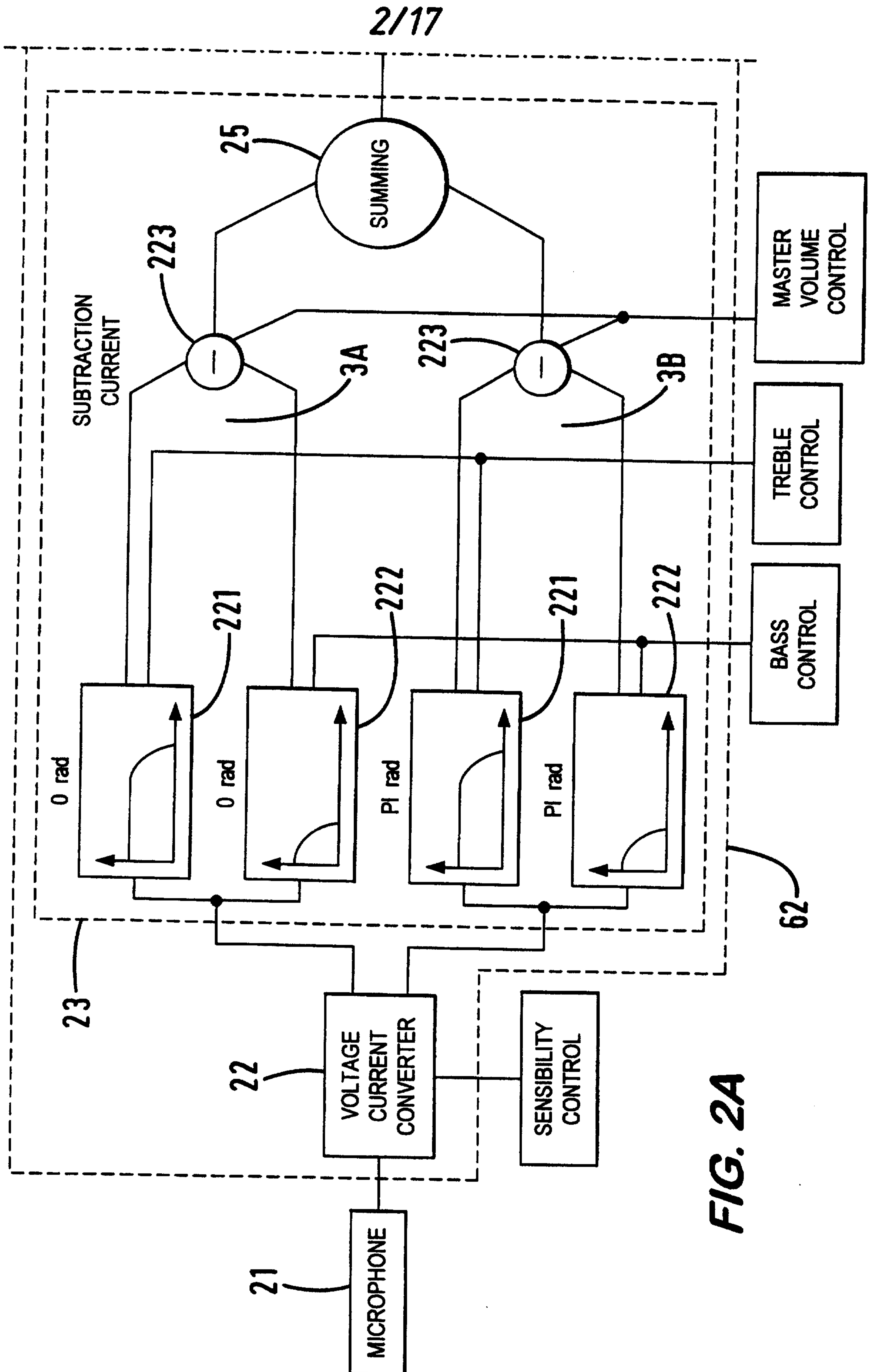


FIG. 2A

3/17

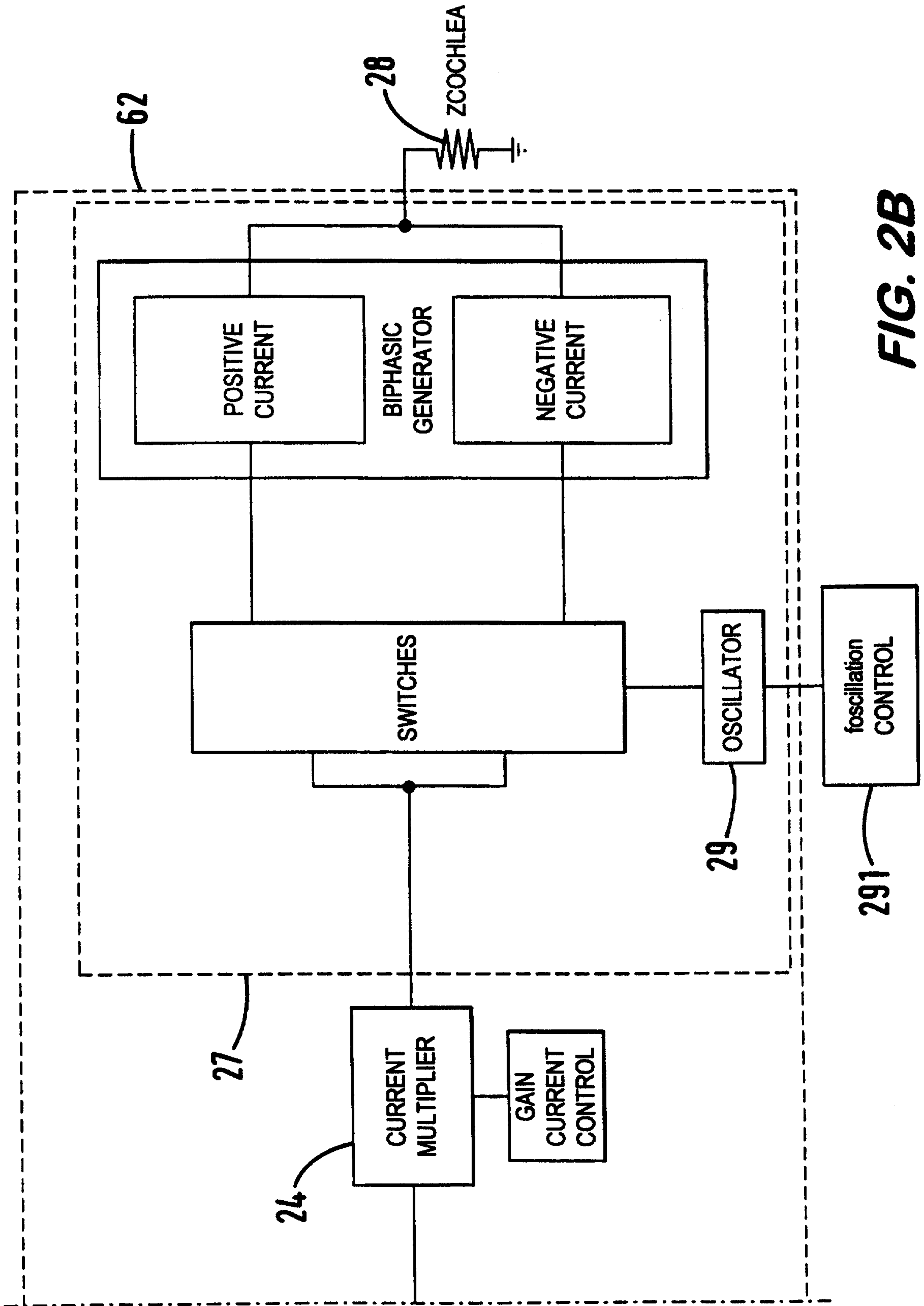


FIG. 2B

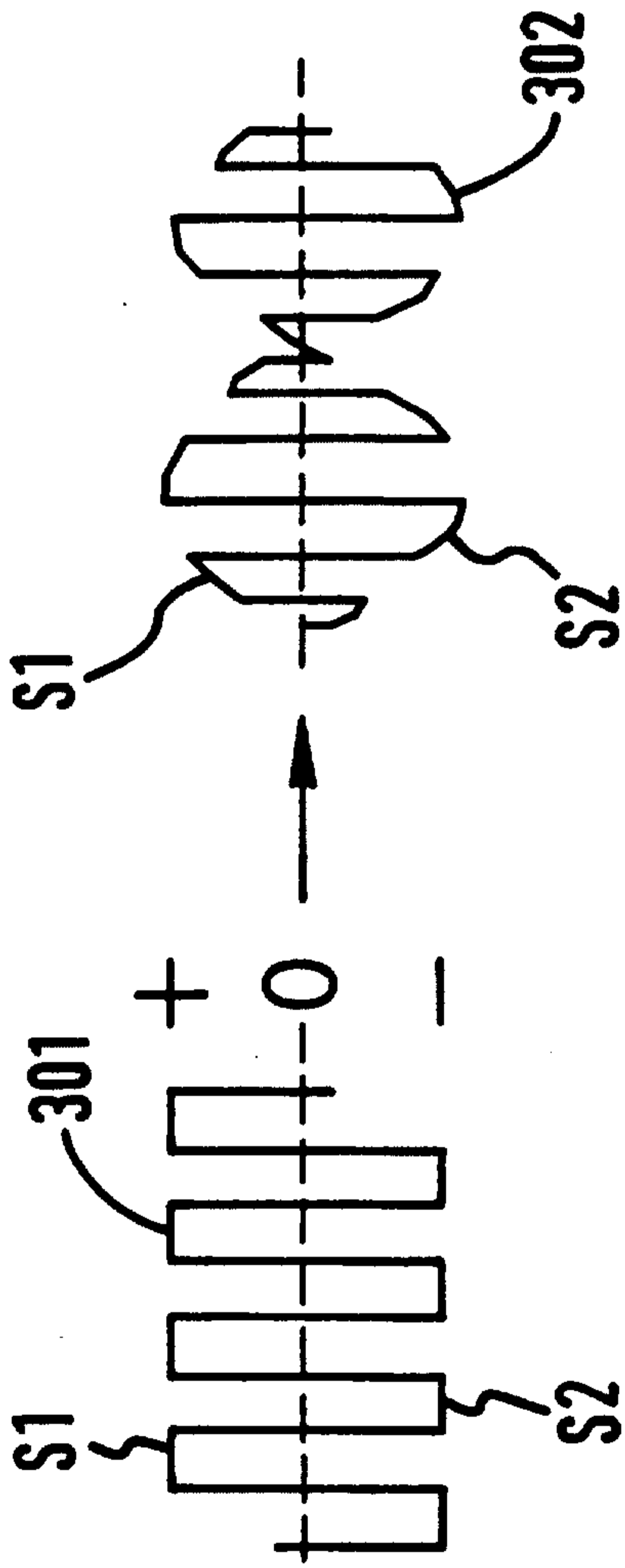


FIG. 3

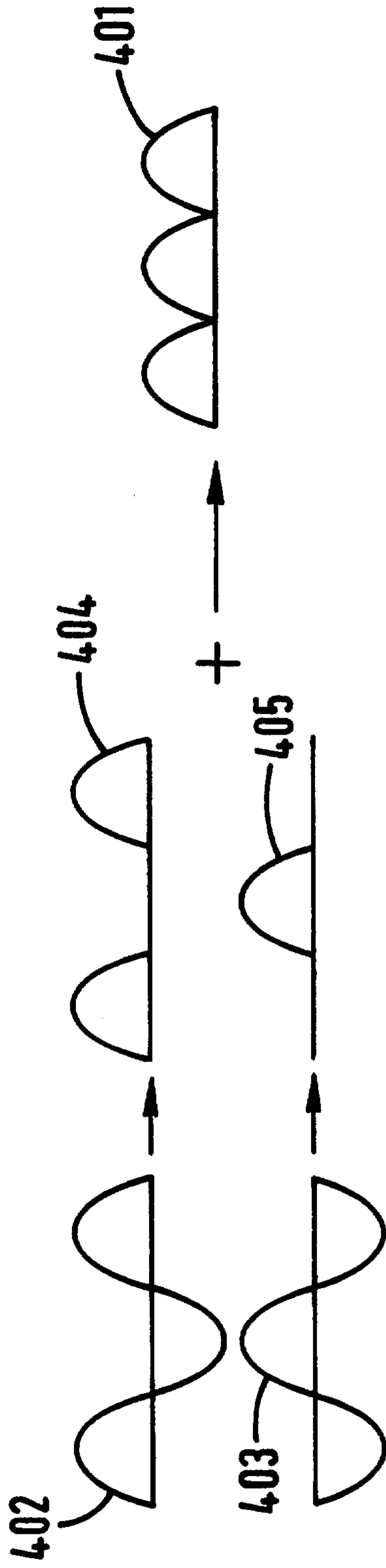


FIG. 4

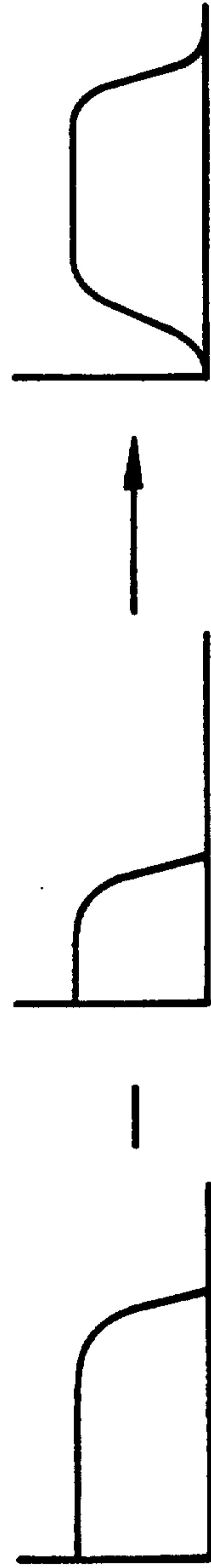


FIG. 5

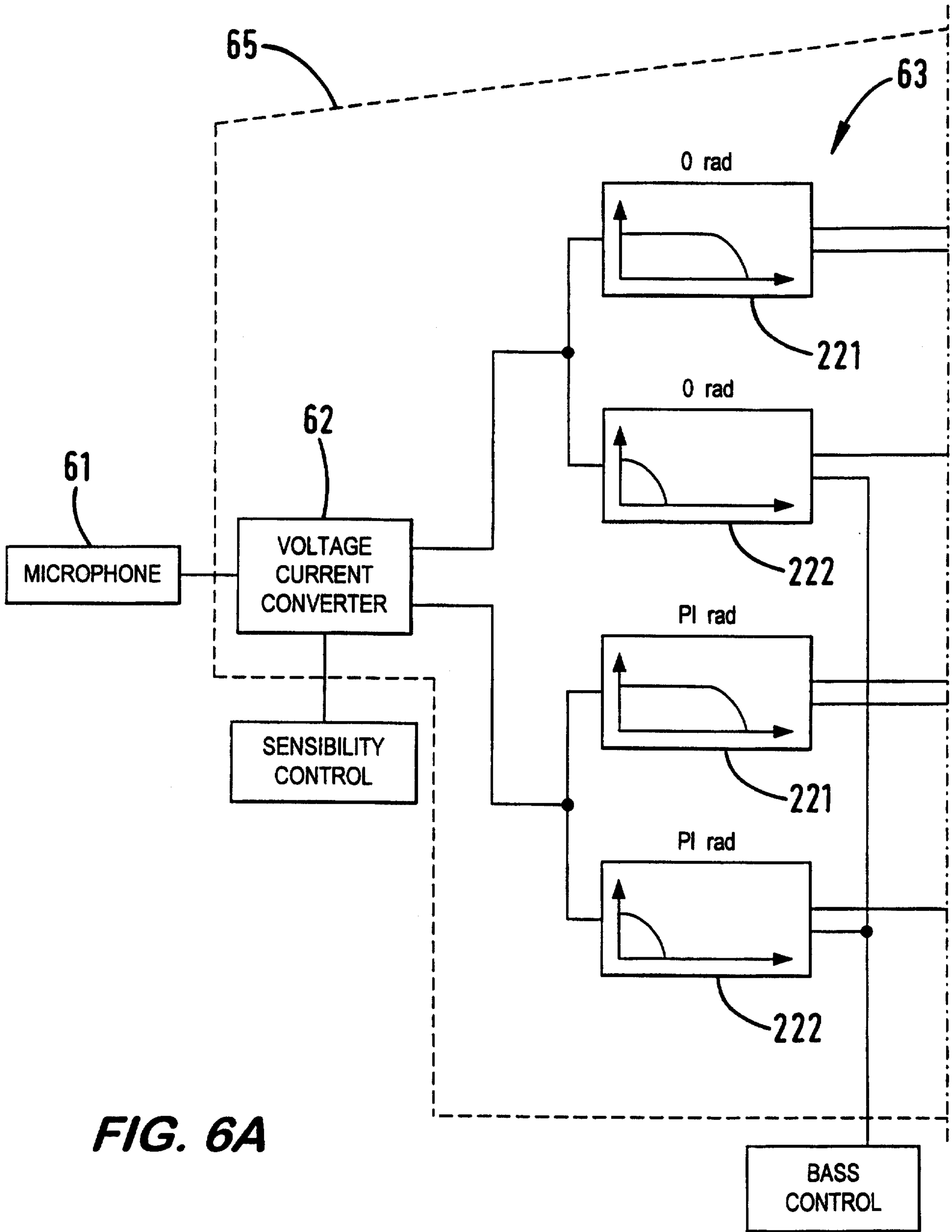


FIG. 6A

6/17

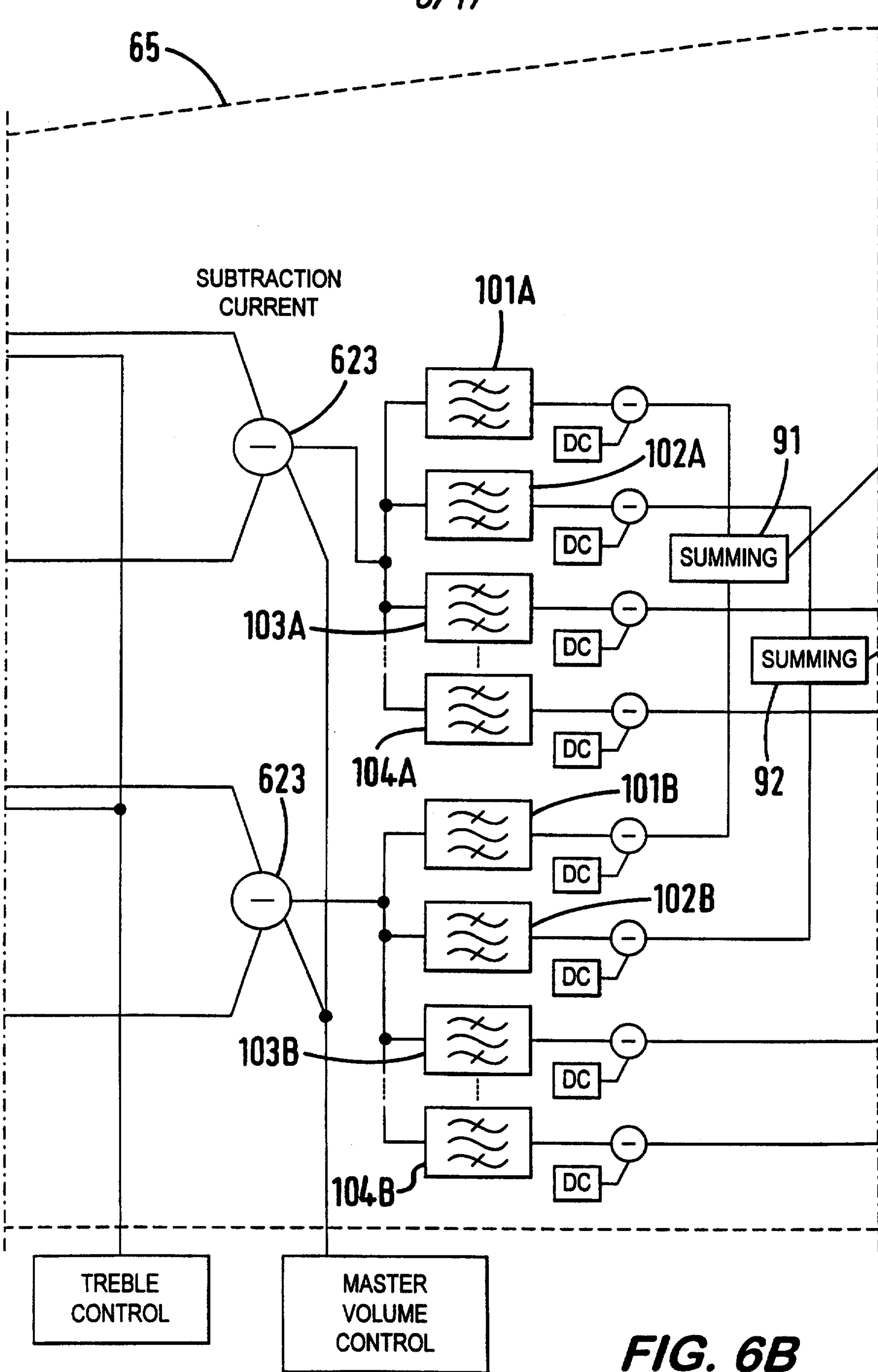


FIG. 6B

7/17

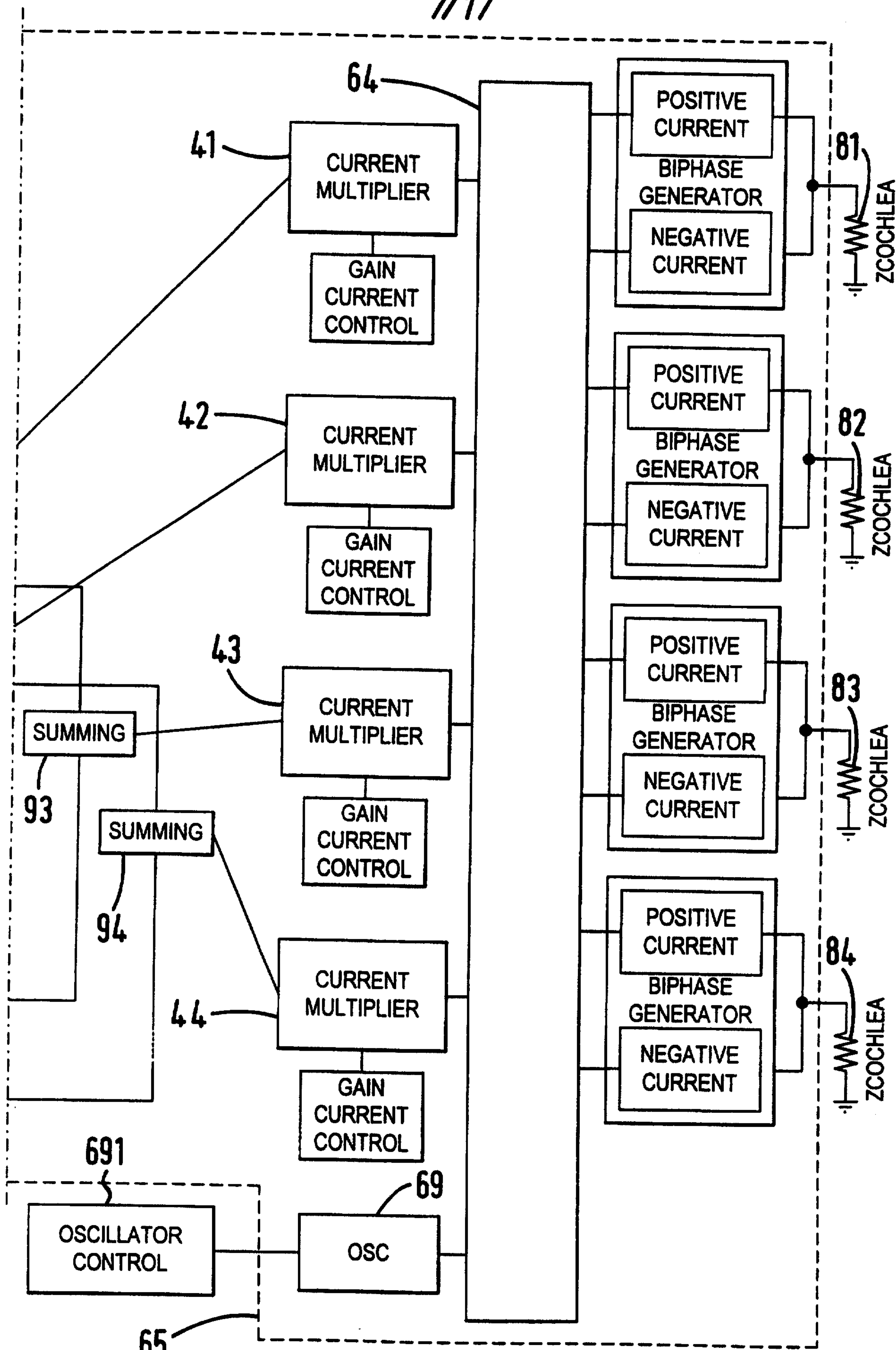


FIG. 6C
SUBSTITUTE SHEET (RULE 26)

8/17

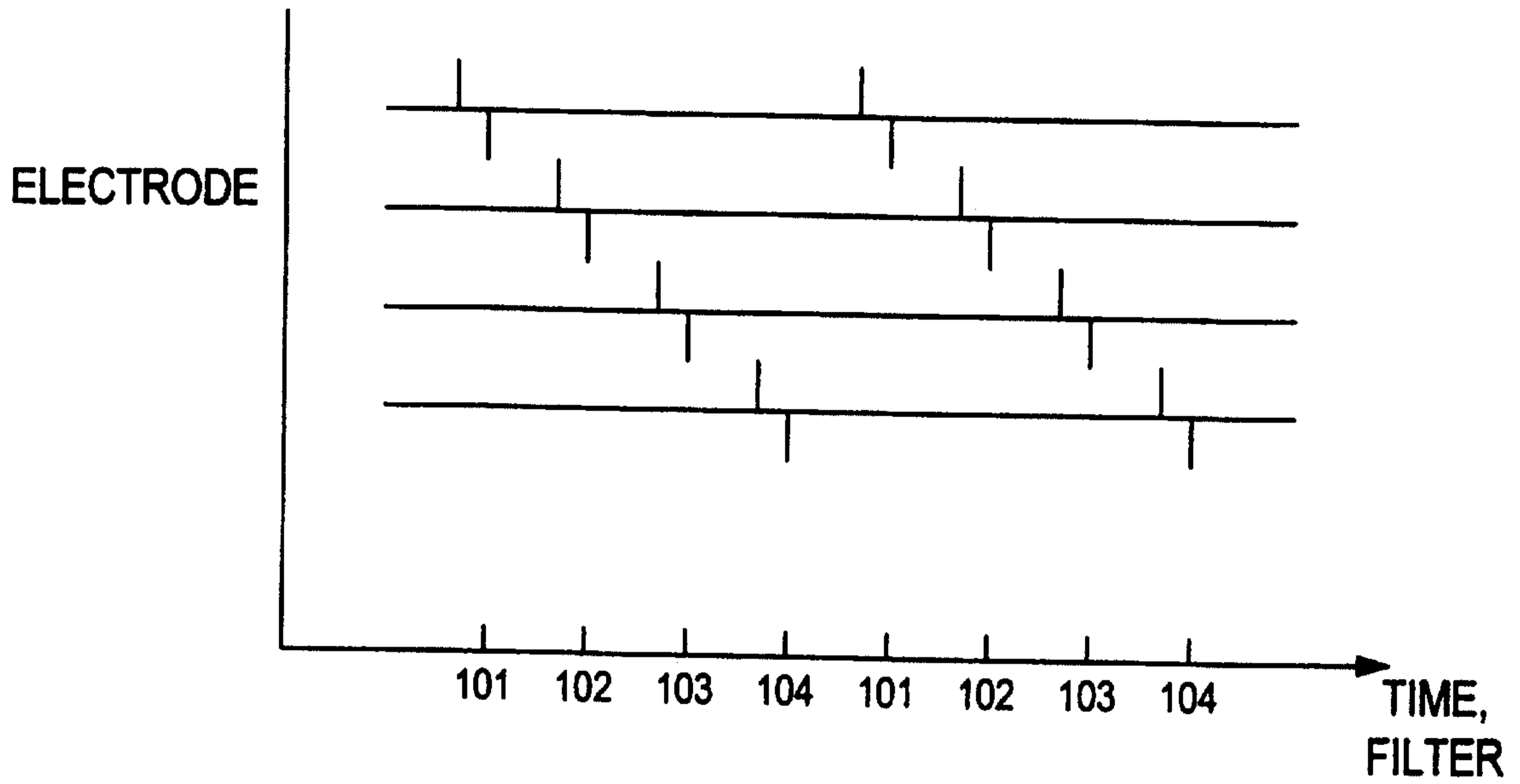


FIG. 7

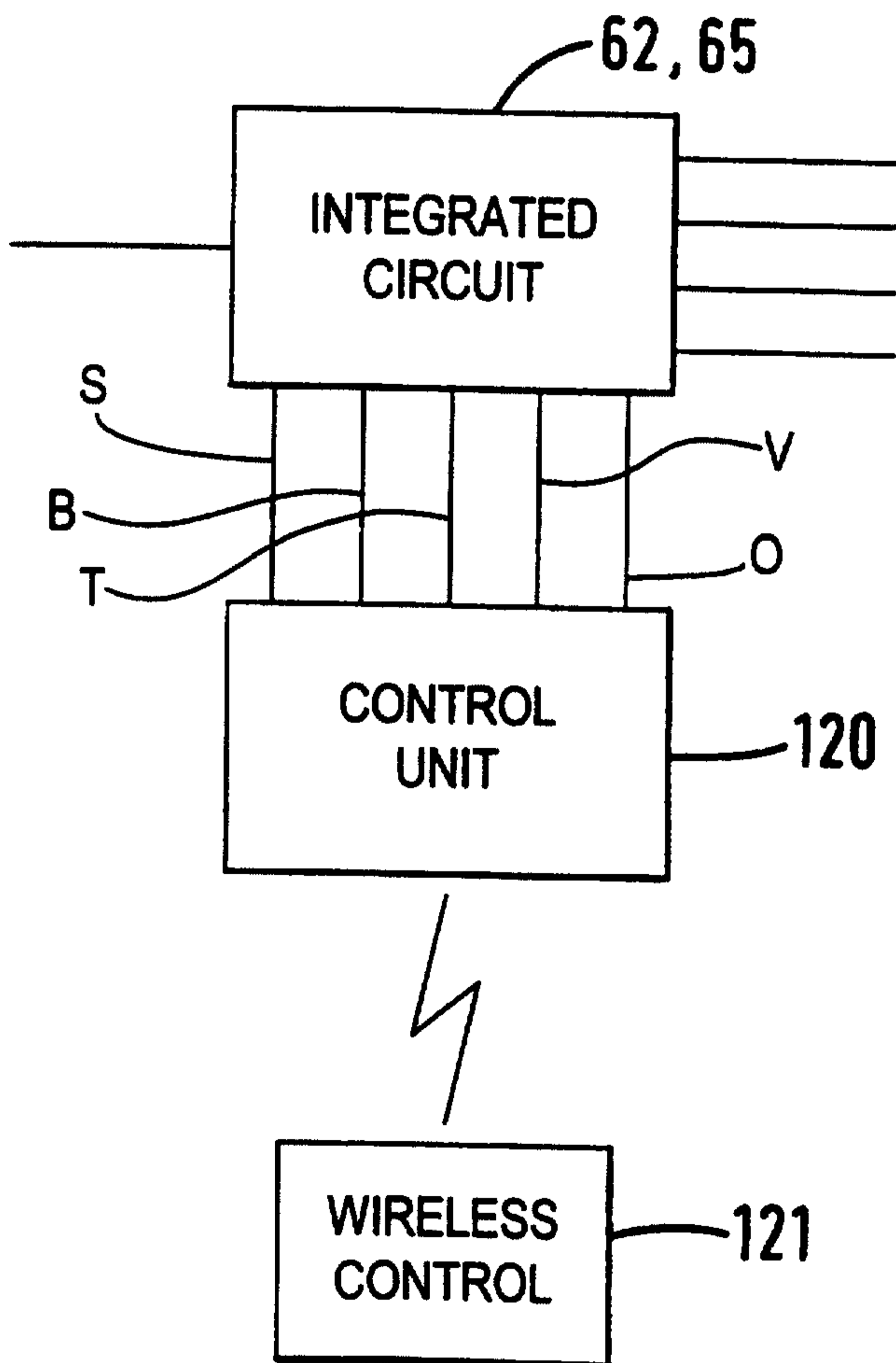


FIG. 10

9/17

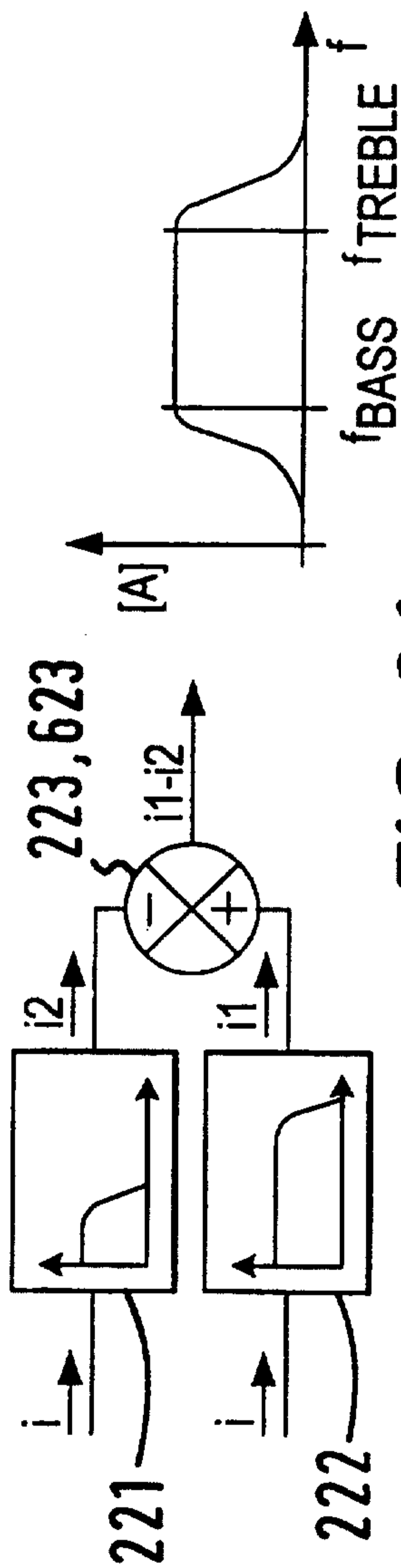


FIG. 8A

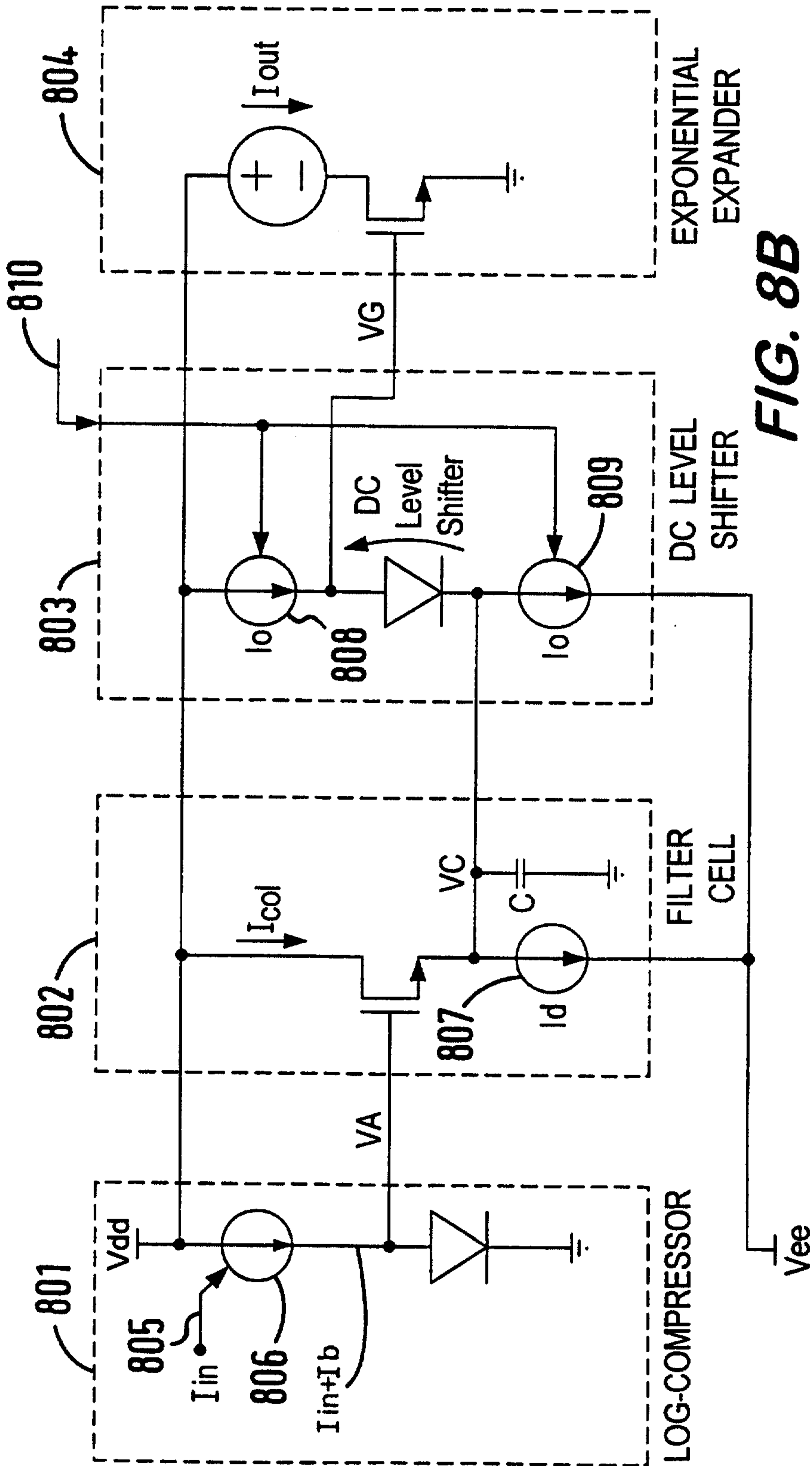


FIG. 8B

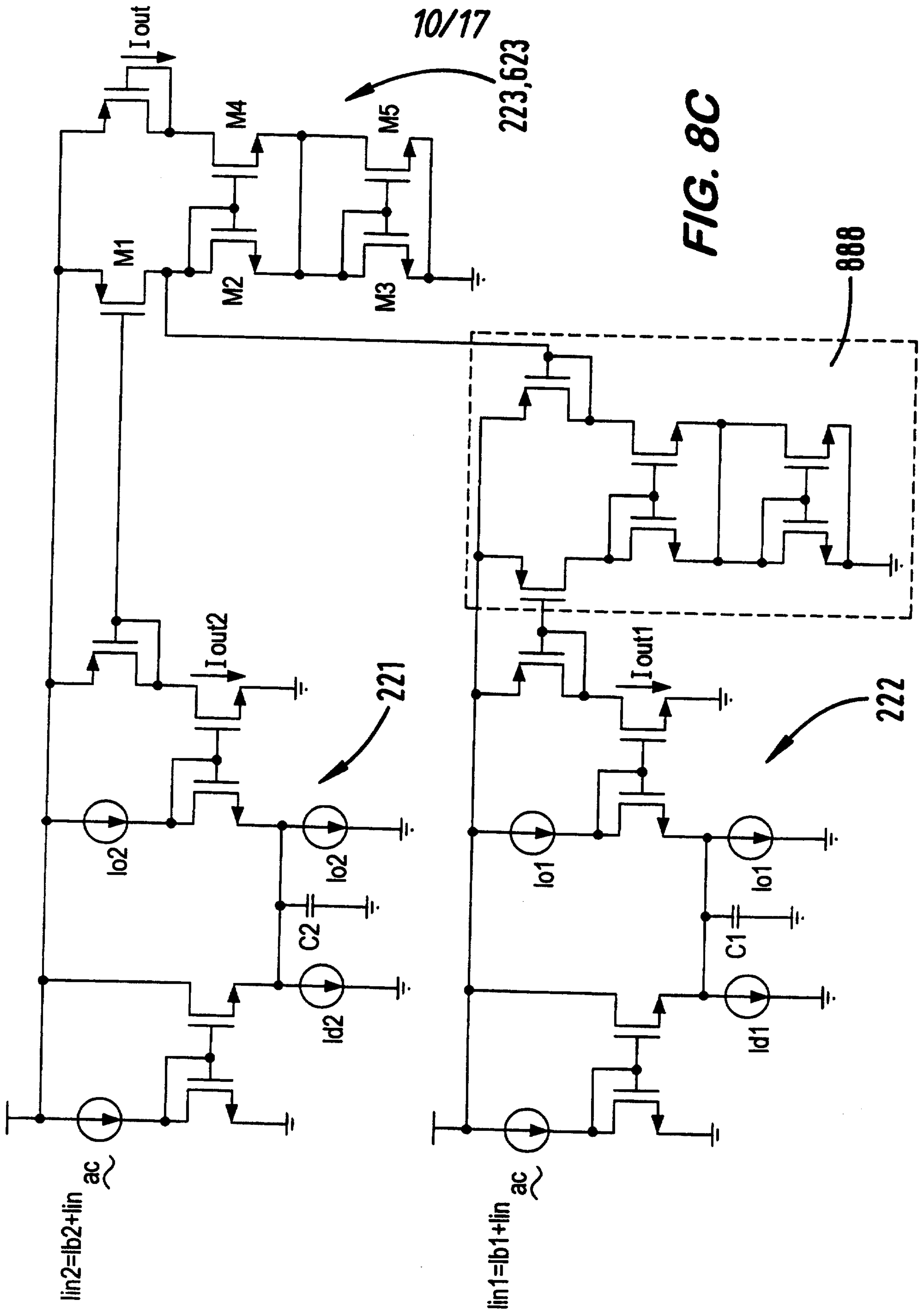


FIG. 8C

11/17

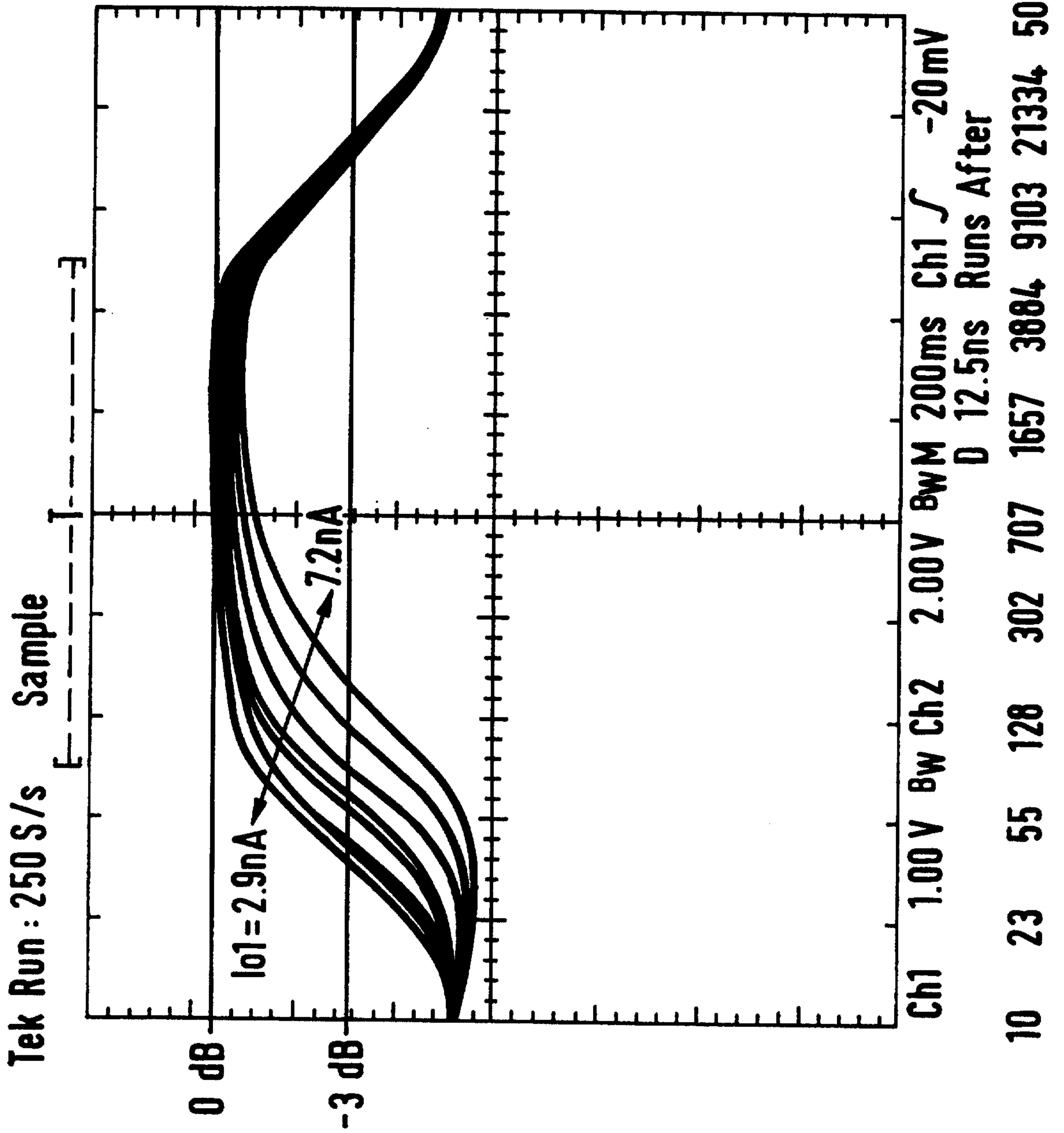


FIG. 9A

12/17

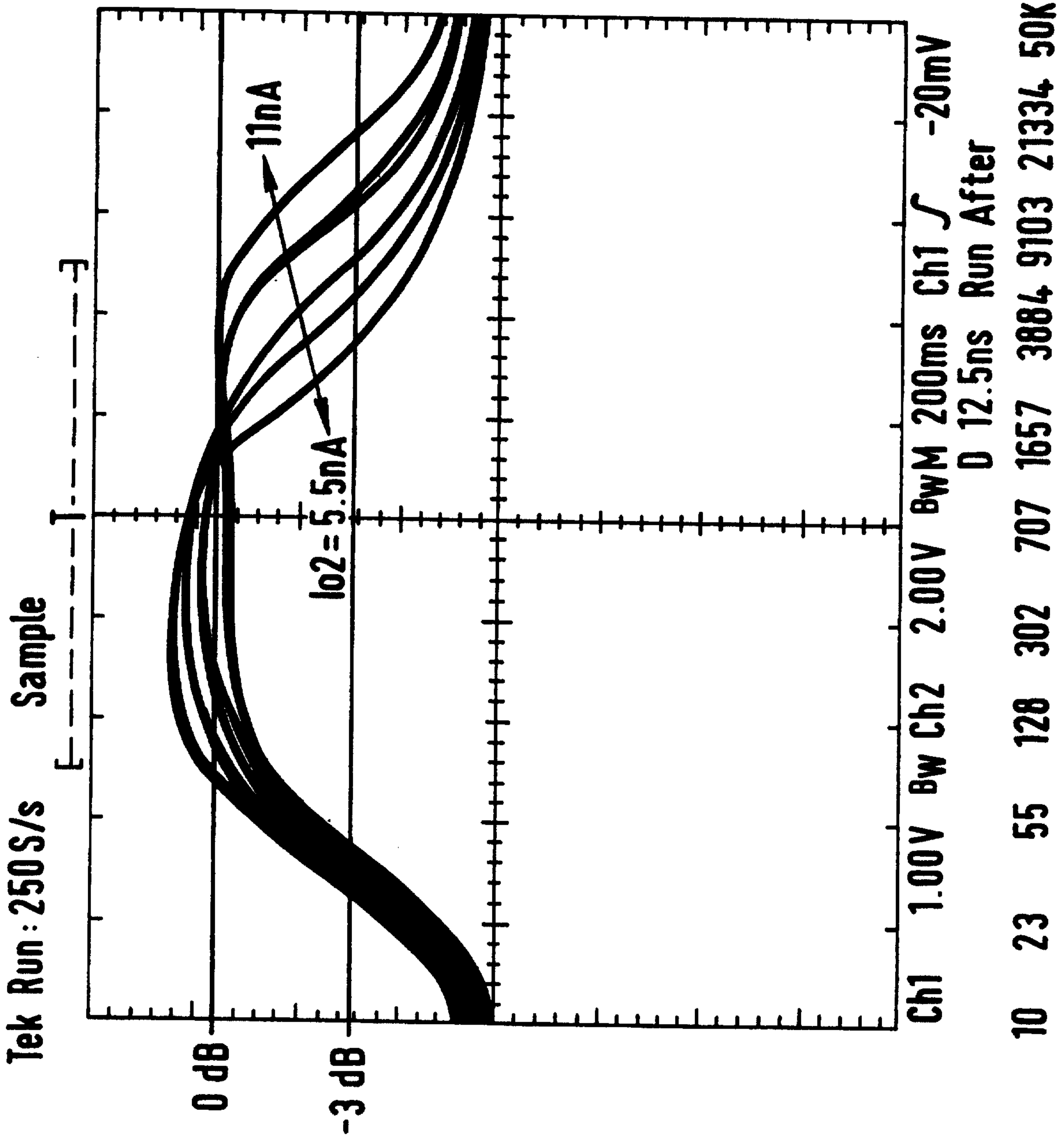


FIG. 9B

FIG. 11

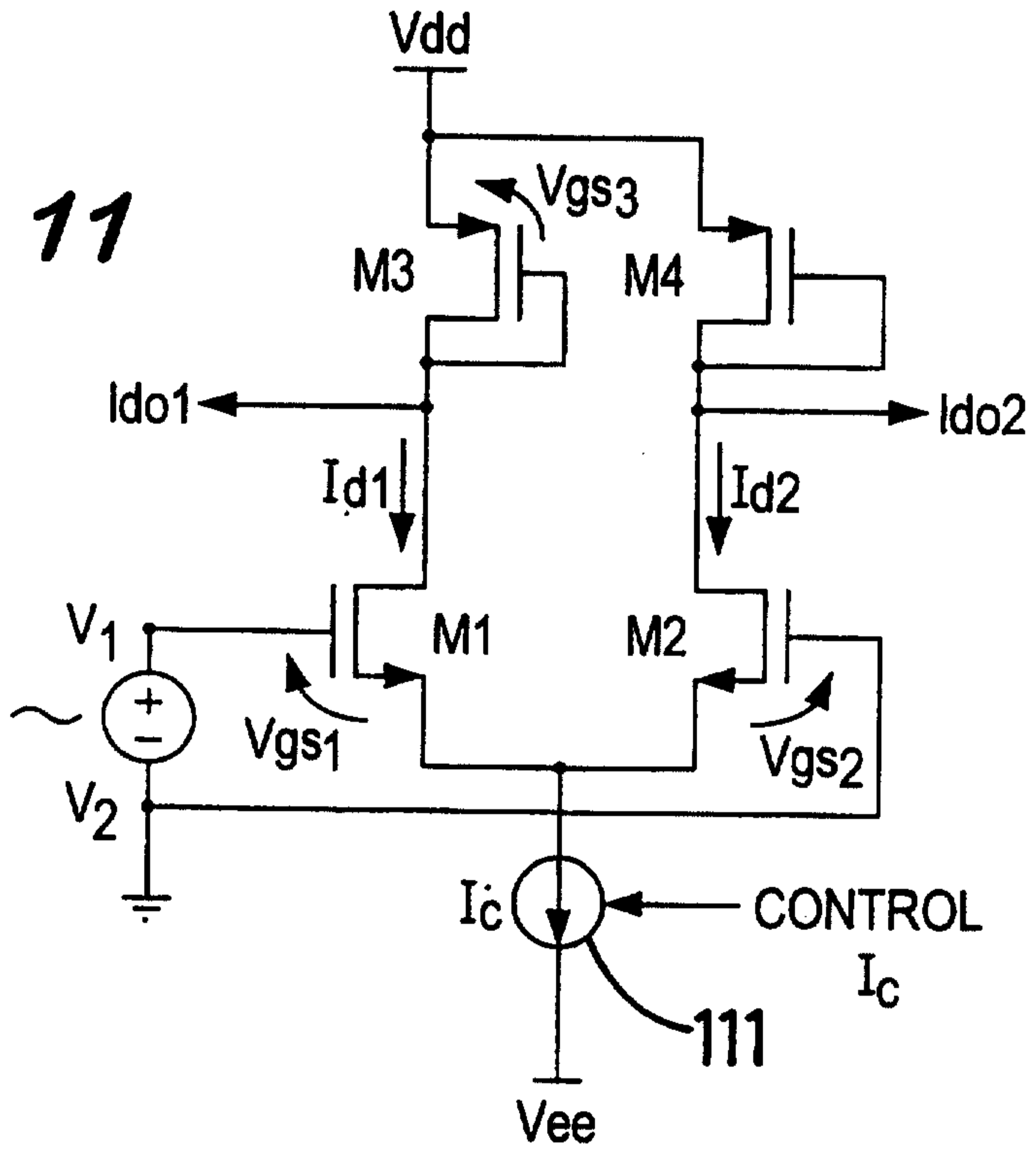
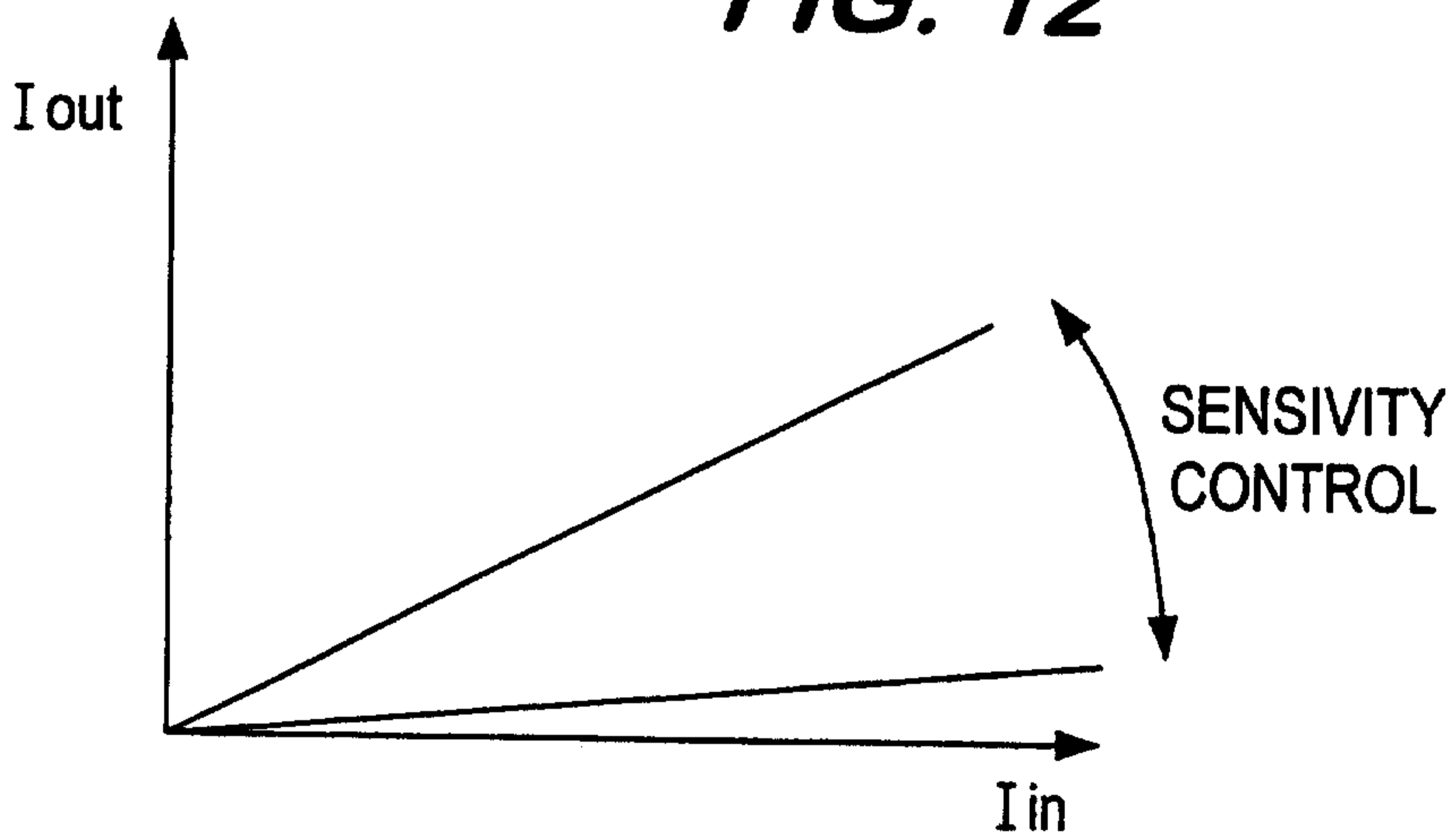
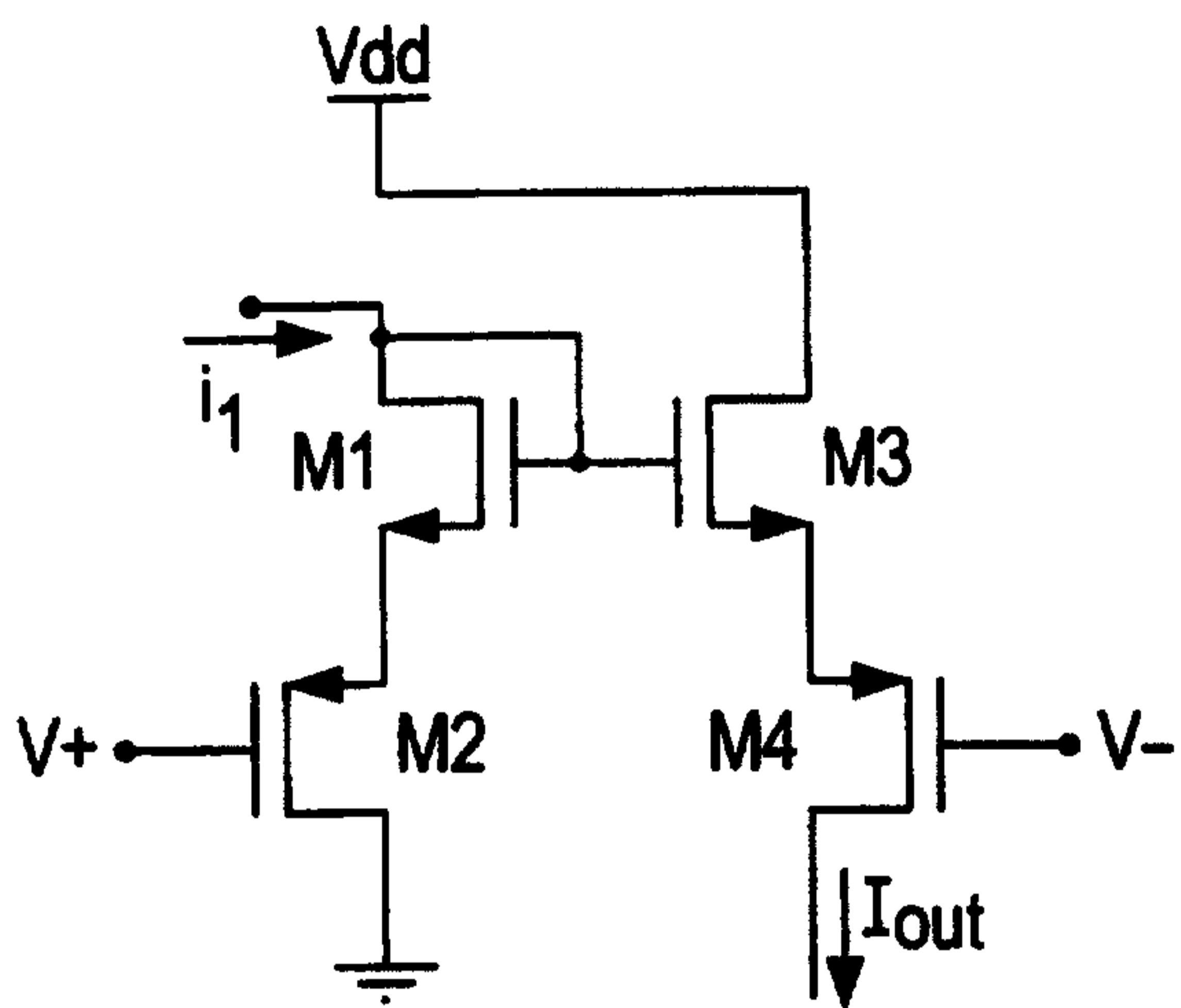


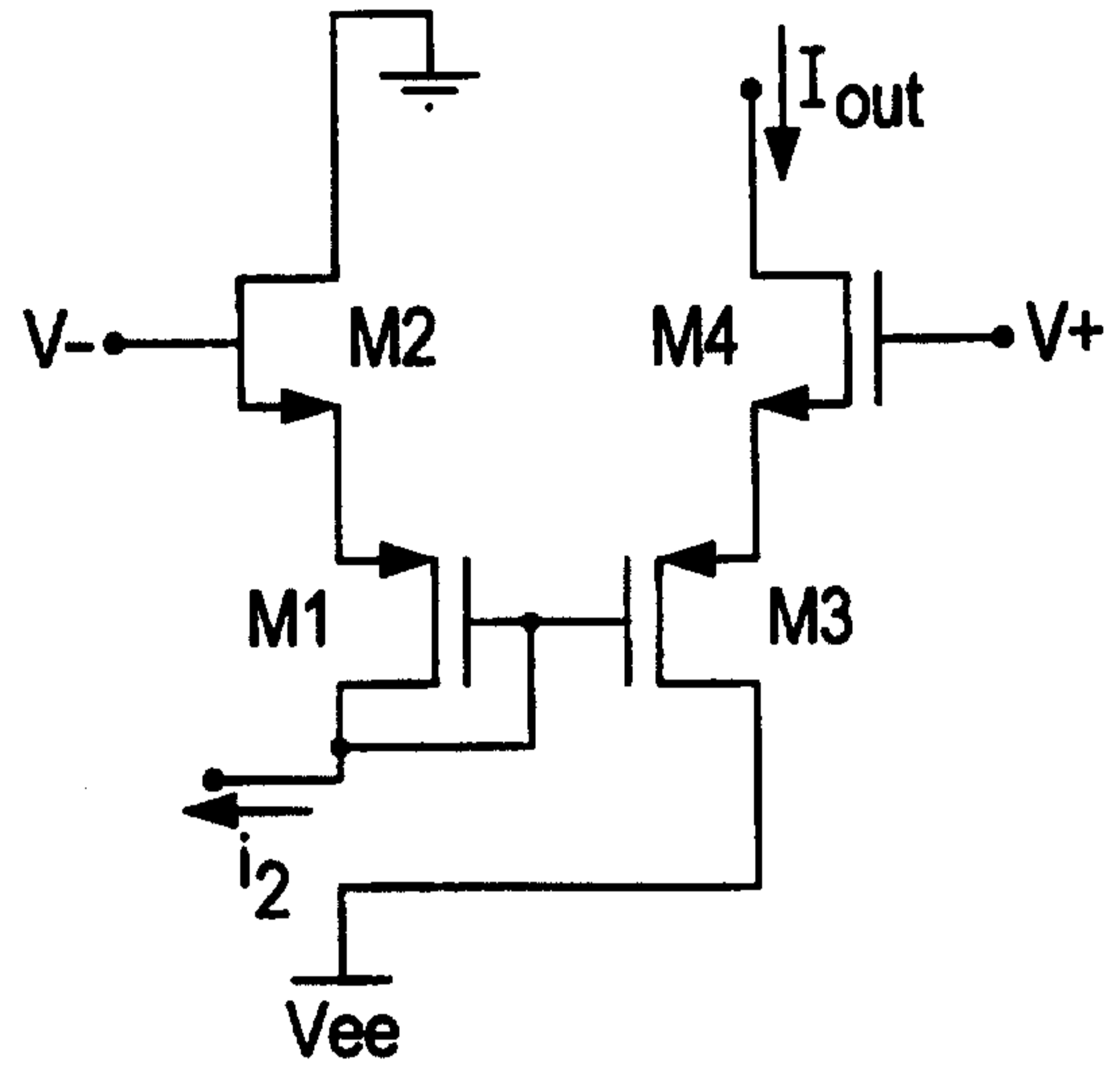
FIG. 12





E+ CELL

FIG. 13A



E- CELL

FIG. 13B

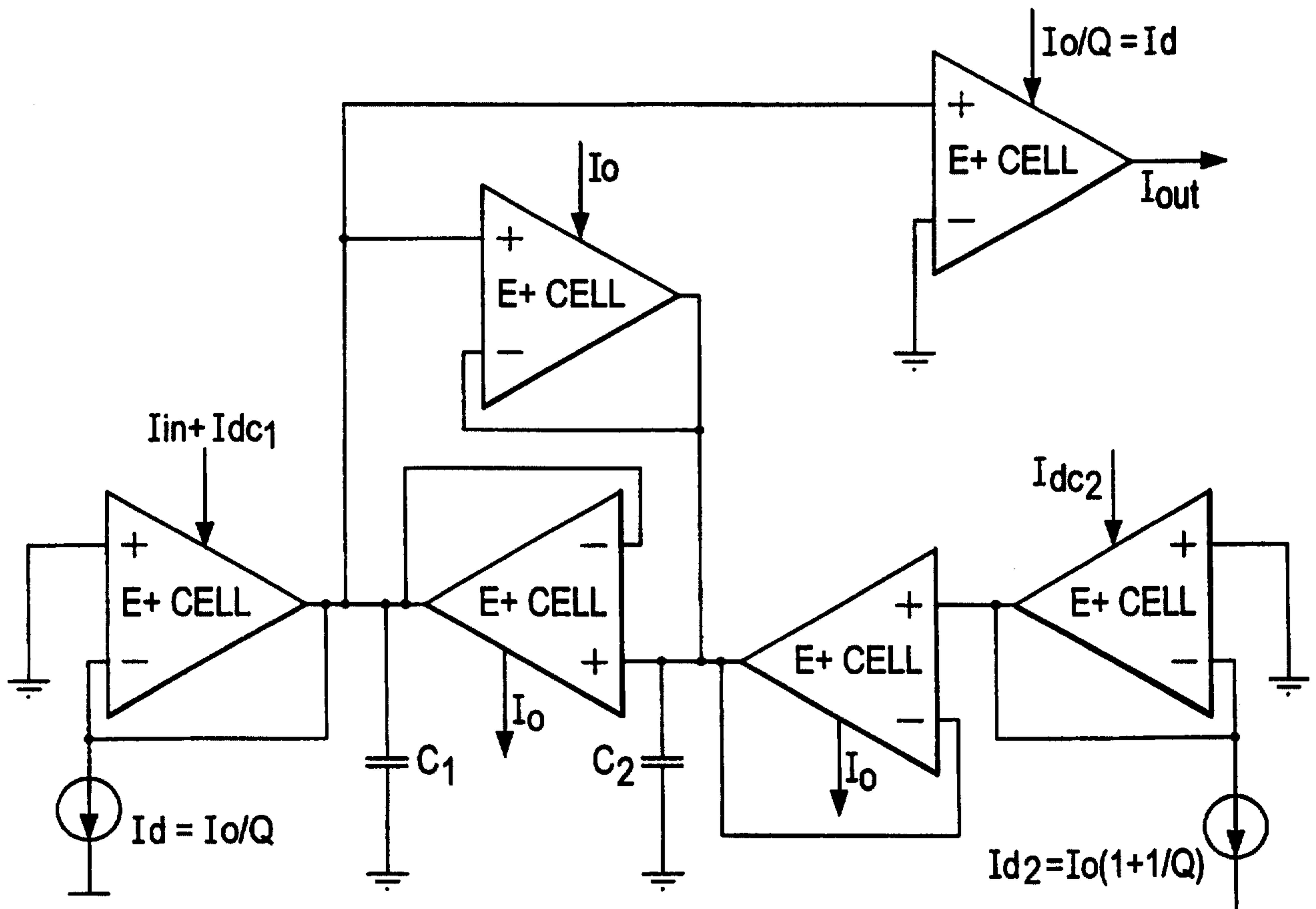


FIG. 13C

15/17

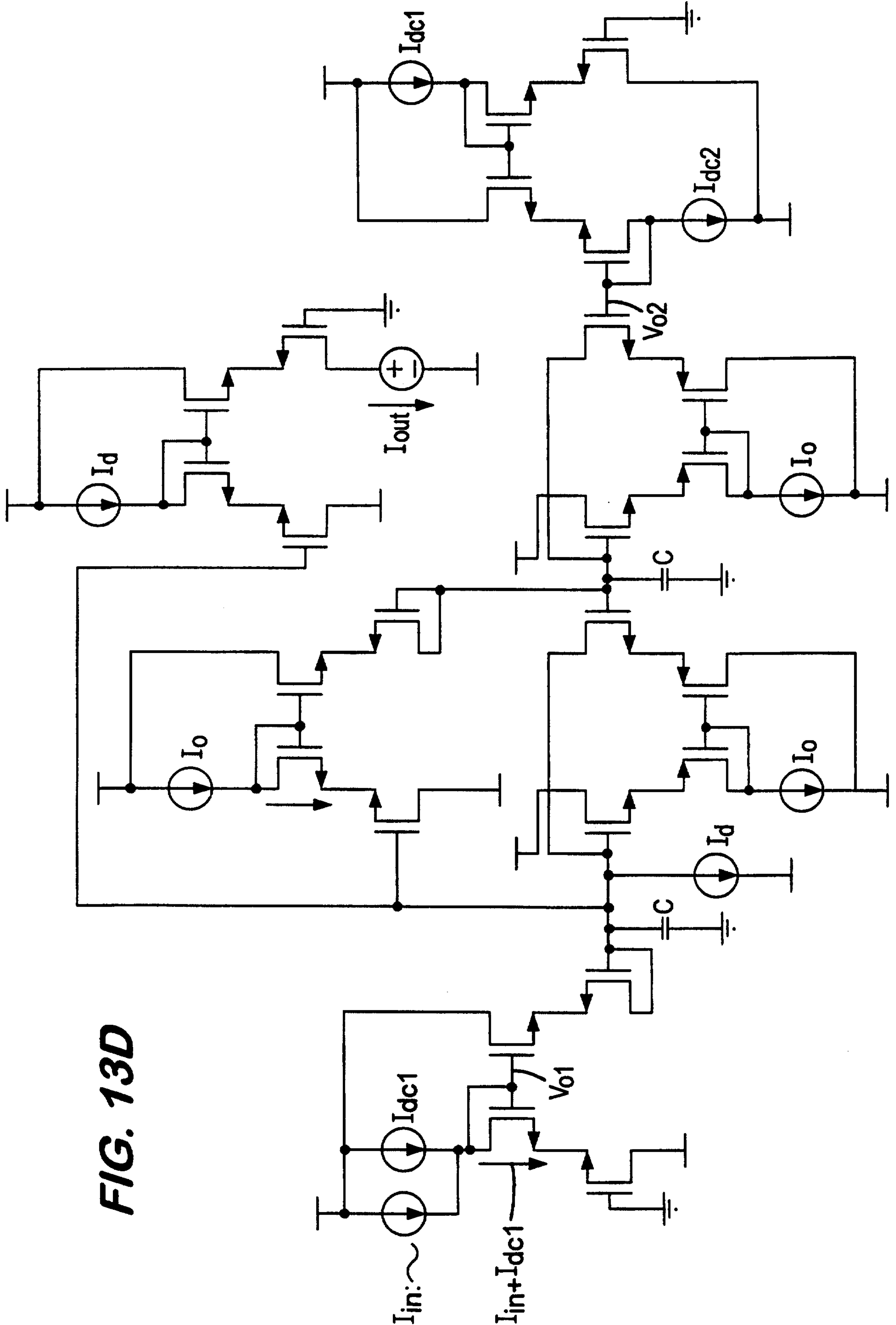


FIG. 13D

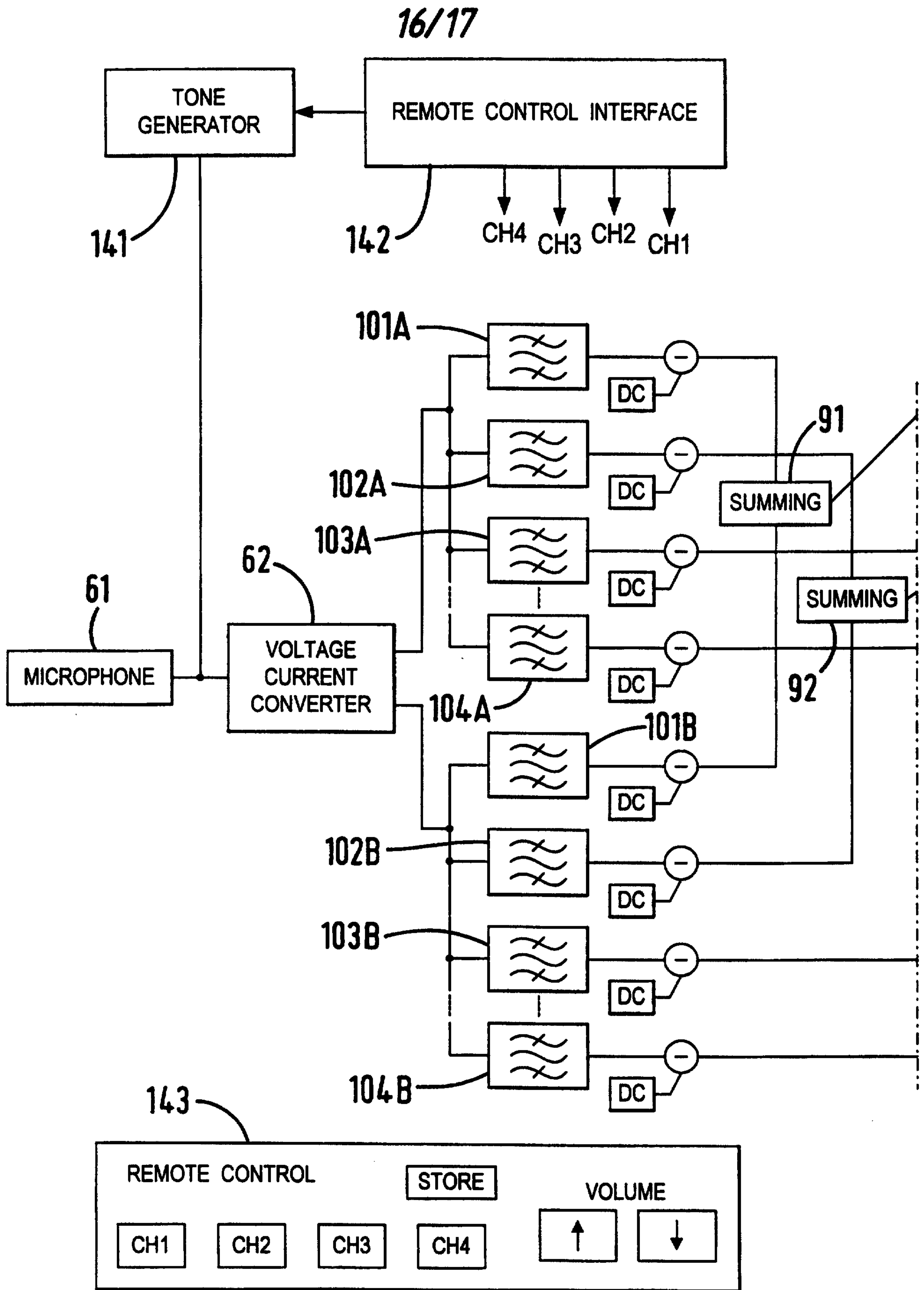


FIG. 14A

17/17

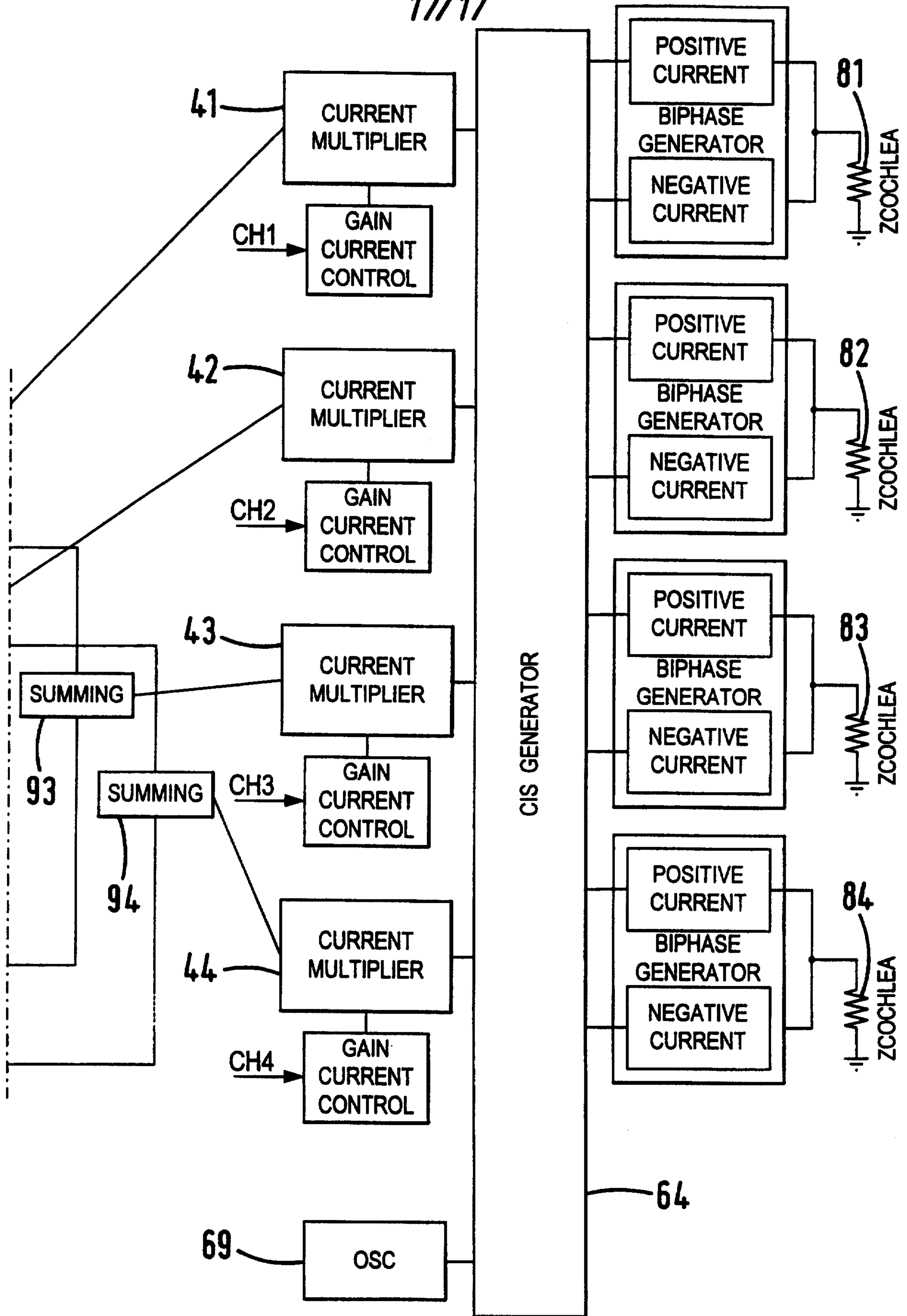


FIG. 14B

