



US00D968485S

(12) **United States Design Patent**
Rotem et al.

(10) **Patent No.:** **US D968,485 S**
(45) **Date of Patent:** **** Nov. 1, 2022**

- (54) **VACUUM DRILL PRESS**
- (71) Applicant: **Nemo Power Tools Ltd.**, Hong Kong (HK)
- (72) Inventors: **Nimrod Rotem**, Hong Kong (CN);
Oleg Joukov, Shaar Efraim (IL);
Eduard Tsfasman, Shar Efraim (IL)
- (73) Assignee: **Nemo Power Tools Limited**, Hong Kong (CN)
- (**) Term: **15 Years**
- (21) Appl. No.: **29/799,688**
- (22) Filed: **Jul. 15, 2021**

D302,821 S *	8/1989	Blum	D15/199
5,087,157 A *	2/1992	Shoji	B23Q 5/28
				408/9
D325,389 S *	4/1992	Lin	D15/132
D329,438 S *	9/1992	Asano	D15/132
D377,939 S *	2/1997	Bair	D15/125
D447,494 S *	9/2001	Miller	D15/132
D448,638 S *	10/2001	Uhl	D8/67
D470,867 S *	2/2003	Welsh	D15/132
D470,868 S *	2/2003	Welsh	D15/132
D559,284 S *	1/2008	Albinsson	D15/132
D560,234 S *	1/2008	Shimada	D15/132
D591,318 S *	4/2009	Shimada	D15/132
D681,080 S *	4/2013	Wang	D15/132
9,561,568 B2 *	2/2017	Brotto	B23Q 3/1543
D926,238 S *	7/2021	Thompson	D15/132

* cited by examiner

Primary Examiner — Patricia A Palasik
(74) *Attorney, Agent, or Firm* — Connie R. Masters

Related U.S. Application Data

- (63) Continuation of application No. 17/365,236, filed on Jul. 1, 2021, now Pat. No. 11,167,396.
- (51) **LOC (13) Cl.** **15-09**
- (52) **U.S. Cl.**
USPC **D15/132**
- (58) **Field of Classification Search**
USPC D8/61, 68; D15/132
CPC B23Q 5/46; B23Q 16/00; Y10T 74/1884;
Y10T 408/6779
See application file for complete search history.

References Cited

U.S. PATENT DOCUMENTS

D195,735 S *	7/1963	Snyder, Jr.	D15/132
D257,679 S *	12/1980	Cleary	D15/132
D284,970 S *	8/1986	Wolff	D15/132
D297,331 S *	8/1988	Blum	D15/199

(57) **CLAIM**

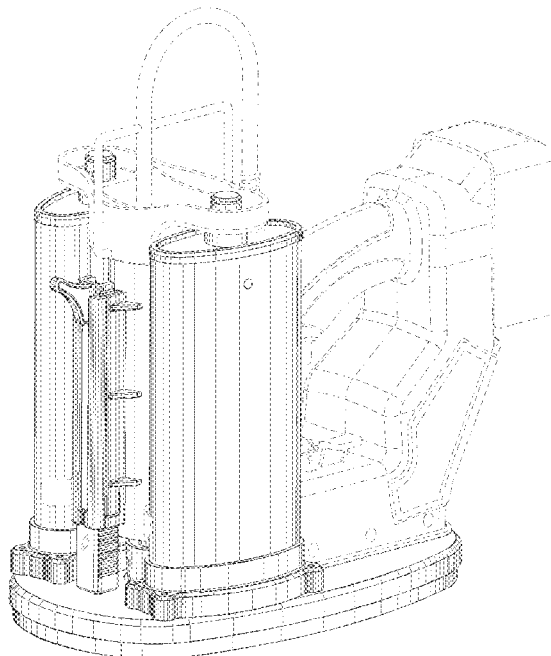
The ornamental design for a vacuum drill press, as shown and described.

DESCRIPTION

FIG. 1 is a perspective front view of a vacuum drill press, showing our new design;
FIG. 2 is a perspective top rear view thereof;
FIG. 3 is a bottom view thereof;
FIG. 4 is a right side view thereof;
FIG. 5 is a left side view thereof;
FIG. 6 is a rear view thereof;
FIG. 7 is a front view thereof; and,
FIG. 8 is a top view thereof.

The broken lines in the drawings depict portions of the vacuum drill press and form no part of the claimed design.

1 Claim, 8 Drawing Sheets



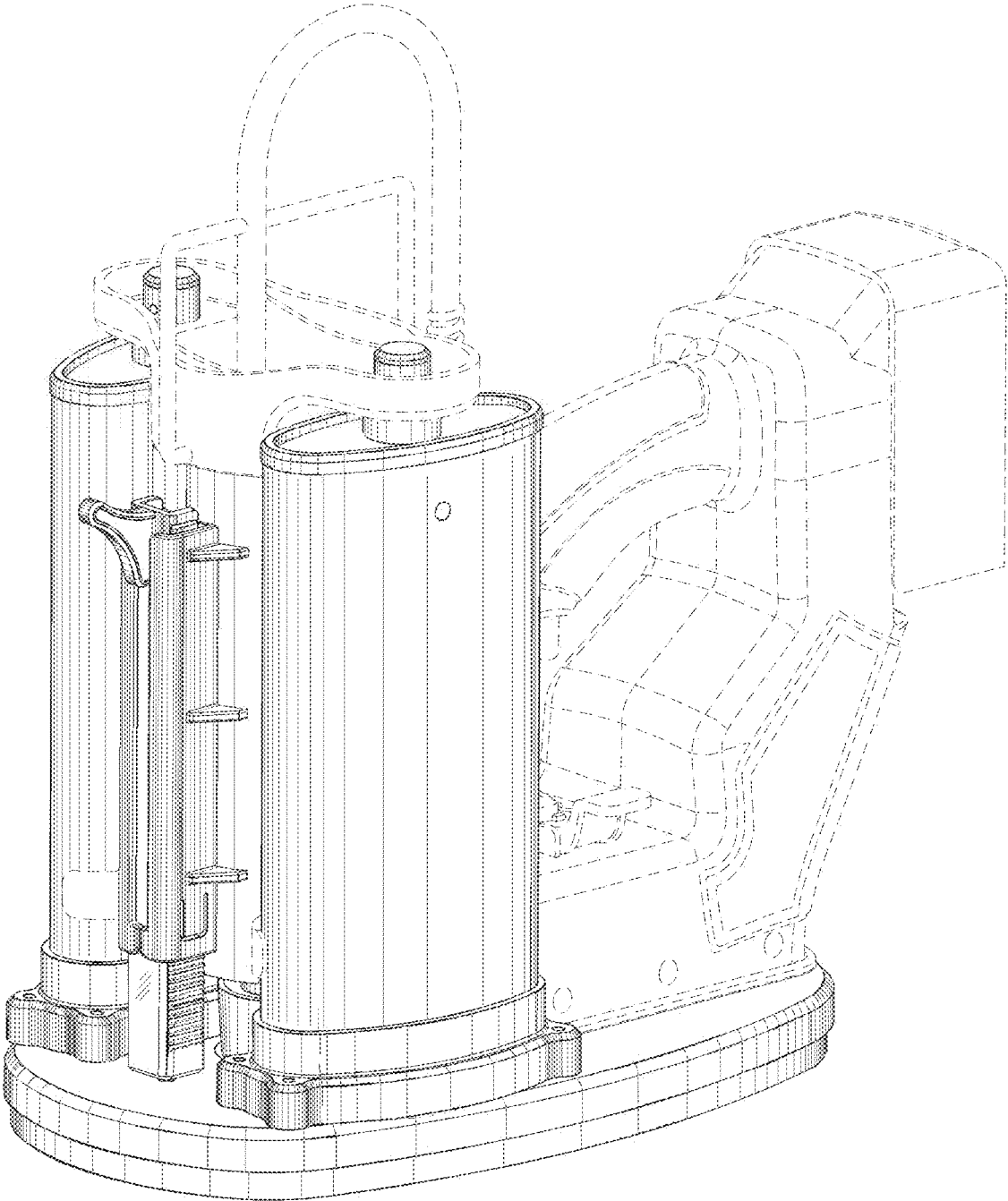


FIG. 1

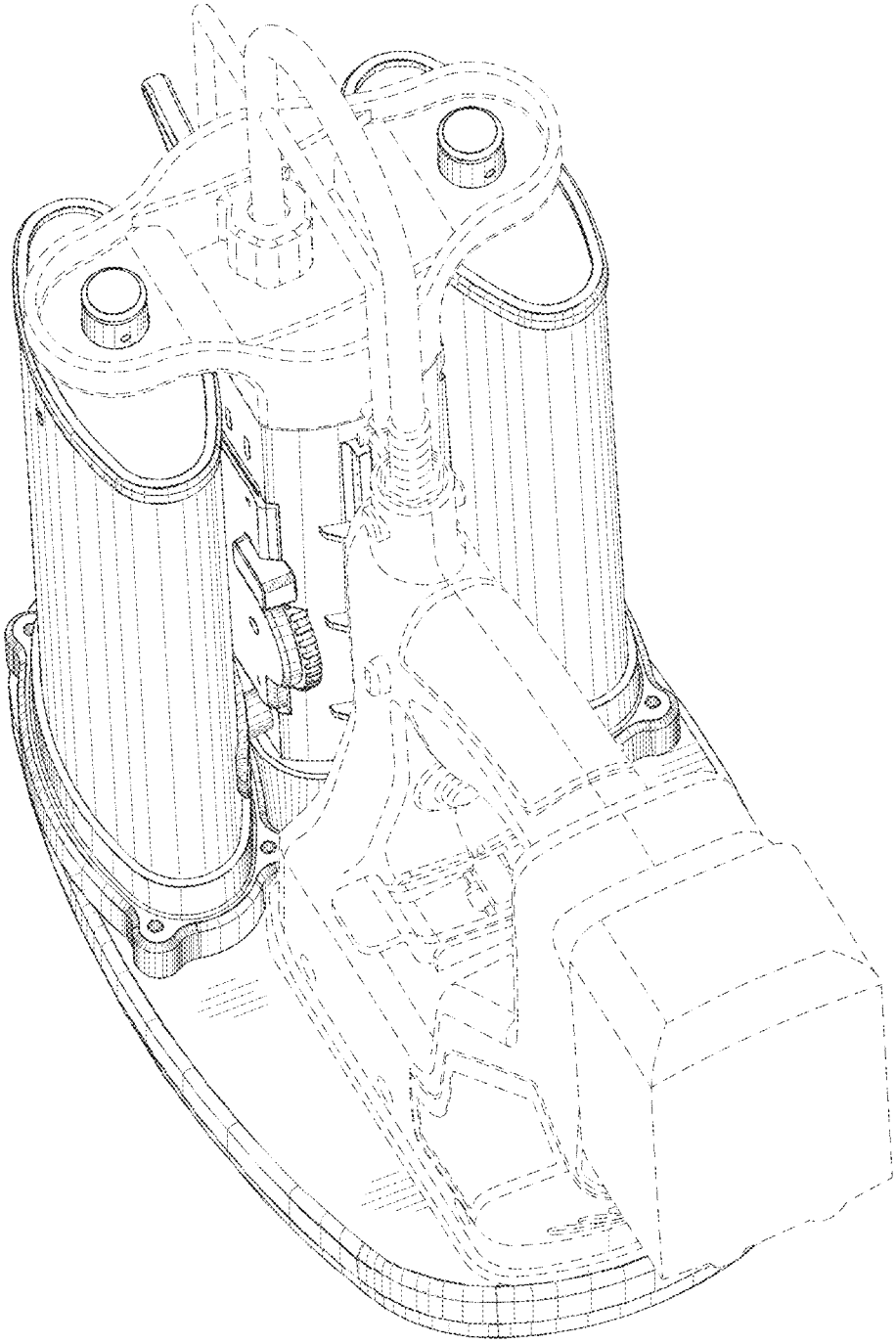


FIG. 2

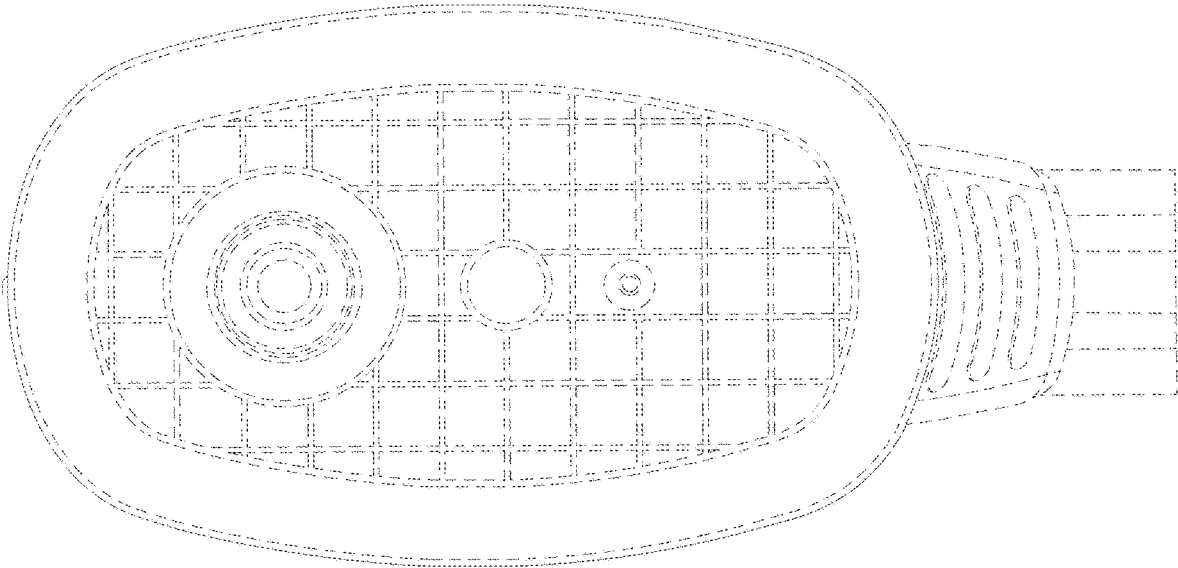


FIG. 3

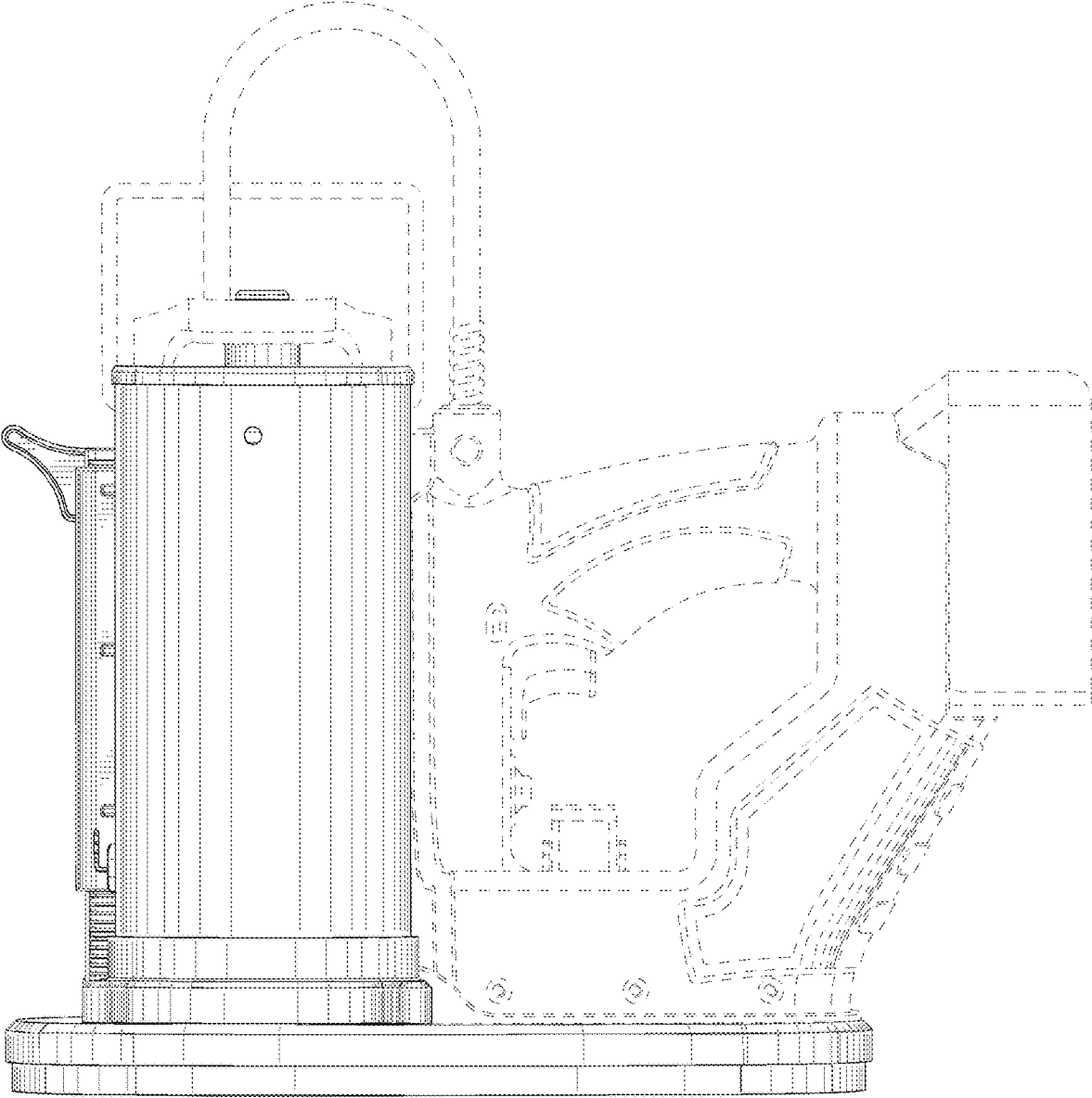


FIG. 4

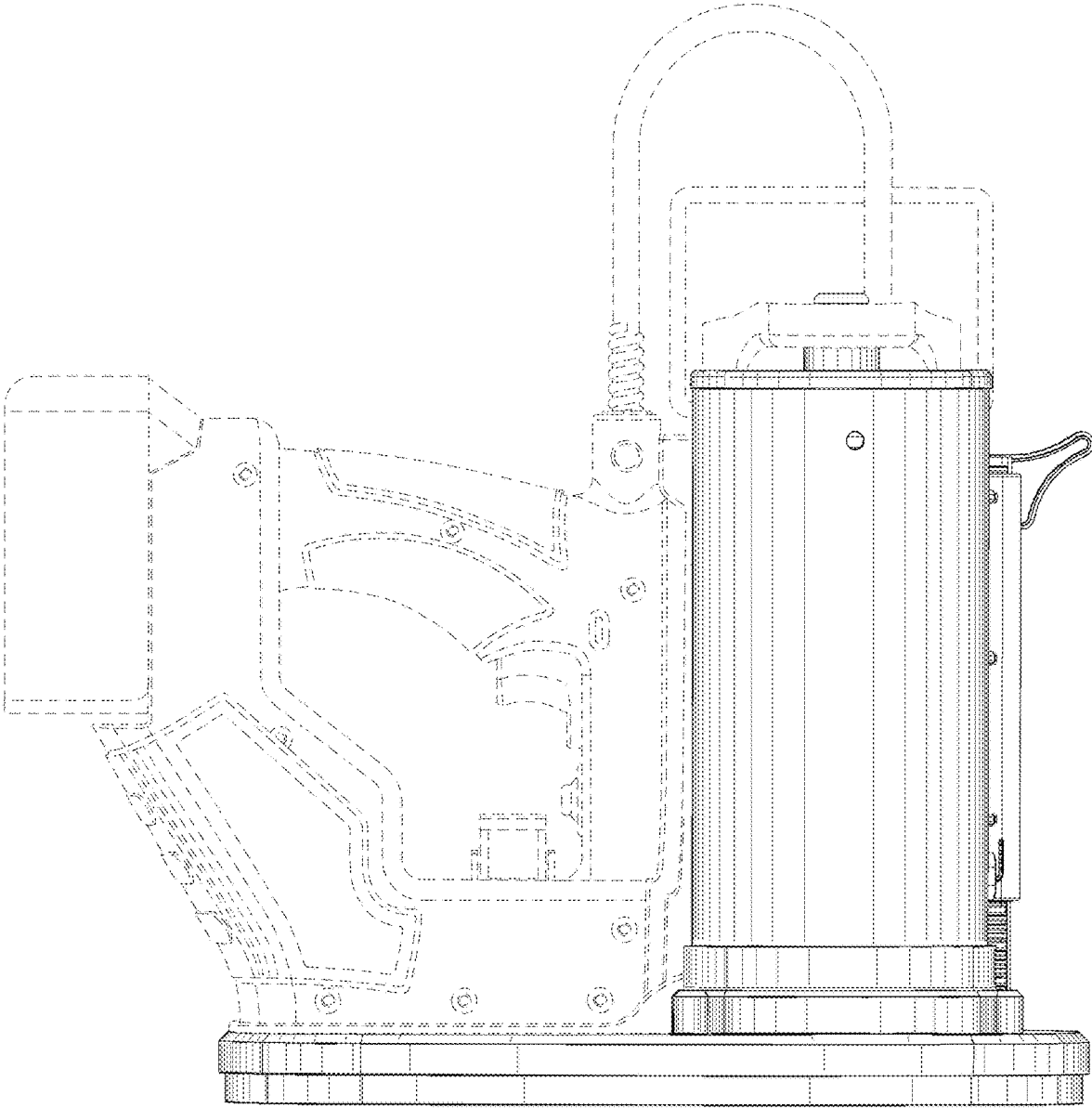


FIG. 5

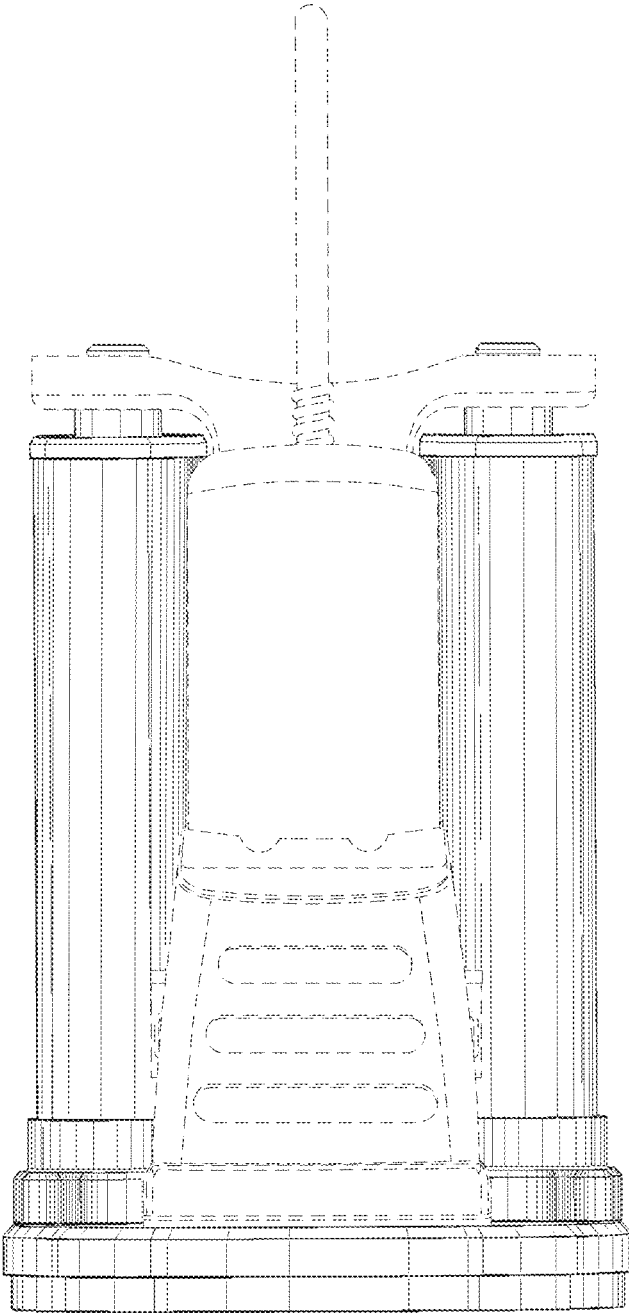


FIG. 6

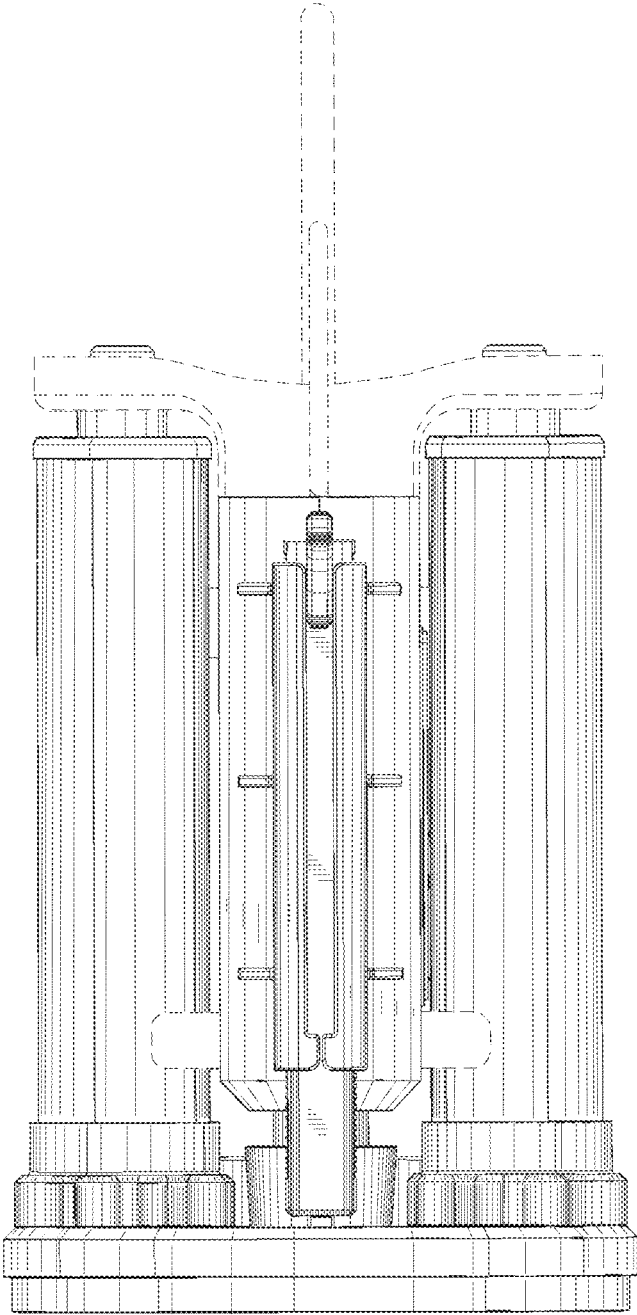


FIG. 7

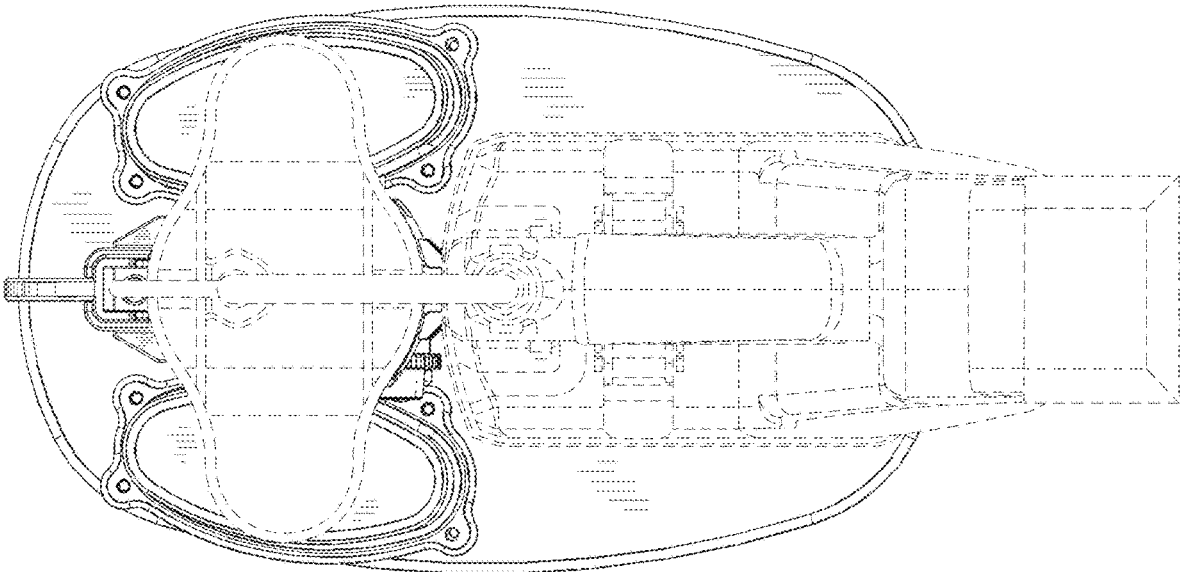


FIG. 8