



US00D600586S

(12) **United States Design Patent**
Nolan

(10) **Patent No.:** **US D600,586 S**

(45) **Date of Patent:** **** Sep. 22, 2009**

(54) **EARRING BACK CLASP**

(76) Inventor: **Phyllis Carol Nolan**, P.O. Box 220,
19620 Murrell Rd., Tahlequah, OK (US)
74464

(**) Term: **14 Years**

(21) Appl. No.: **29/323,839**

(22) Filed: **Sep. 2, 2008**

(51) **LOC (9) Cl.** **11-01**

(52) **U.S. Cl.** **D11/41**

(58) **Field of Classification Search** D11/40-45,
D11/47, 48, 49, 79, 80, 86, 89, 90, 91, 92,
D11/93, 94, 117, 120, 121, 122, 139, 143,
D11/144, 151; 63/3, 3.1, 3.2, 4, 5.1, 7, 10,
63/11, 15, 15.7, 18, 21, 35, 36, 37, 38

See application file for complete search history.

(56) **References Cited**

U.S. PATENT DOCUMENTS

2,069,598	A	*	2/1937	Arpels	63/29.1
D339,763	S	*	9/1993	Nalbandian	D11/91
5,365,754	A	*	11/1994	Nalbandian	63/26
D379,074	S	*	5/1997	Udco	D11/91
D391,888	S	*	3/1998	Fox	D11/41
D429,658	S	*	8/2000	Biagi	D11/41
D516,453	S	*	3/2006	Kayamori et al.	D11/40

D530,644	S	*	10/2006	Mehta	D11/92
D574,745	S	*	8/2008	Nolan	D11/41
D574,746	S	*	8/2008	Nolan	D11/41

* cited by examiner

Primary Examiner—Cathron C Brooks

Assistant Examiner—Melanie Levy

(74) *Attorney, Agent, or Firm*—Fellers, Snider, Blankenship,
Lailey & Tippens, P.C.; Dennis D. Brown

(57) **CLAIM**

The ornamental design for an earring back clasp, as shown and described.

DESCRIPTION

FIG. 1 is a perspective view of an earring back clasp illustrating my new design.

FIG. 2 is a front elevational view thereof, the rear elevational view being a mirror image of this view.

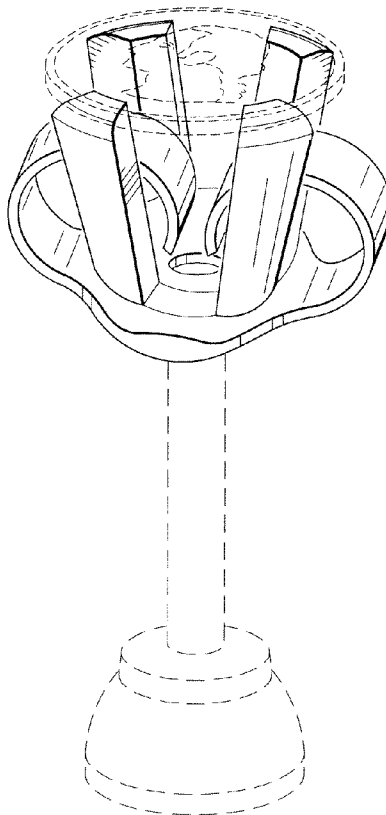
FIG. 3 is a right side elevational view thereof, the left side elevational view being a mirror image of this view.

FIG. 4 is a top plan view thereof; and,

FIG. 5 is a bottom plan view thereof.

The broken lines shown in the drawings represent unclaimed portions of the design and form no part thereof.

1 Claim, 2 Drawing Sheets



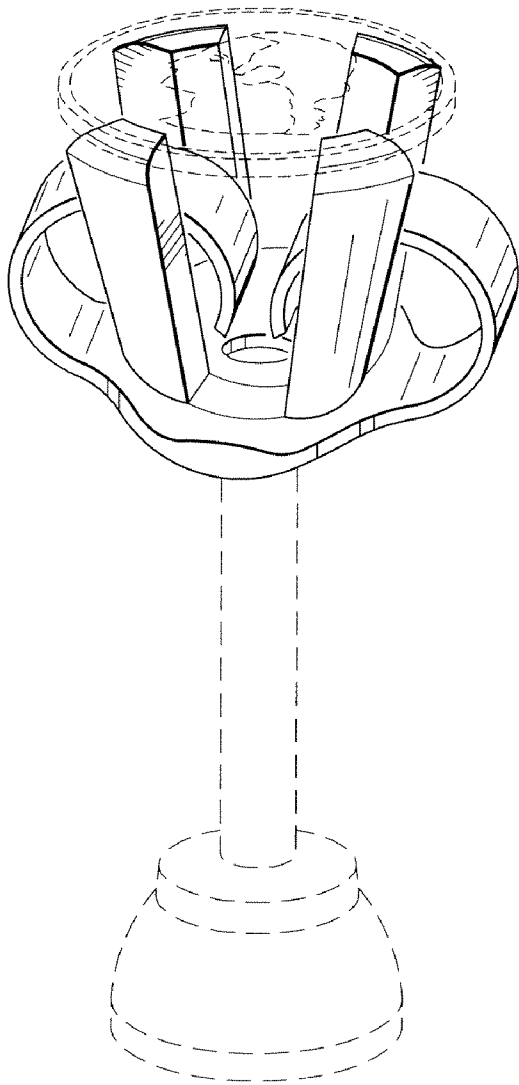


FIG. 1

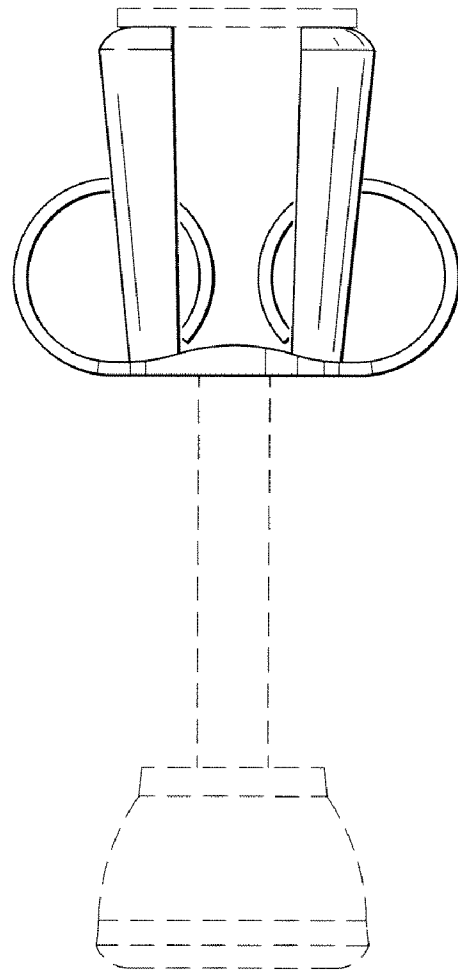


FIG. 2

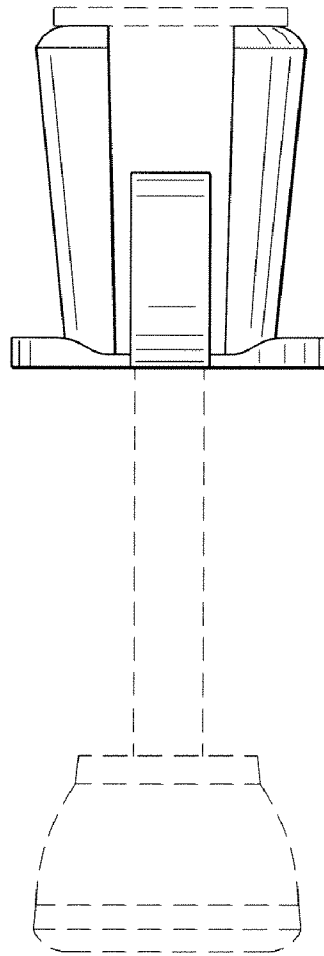


FIG. 3

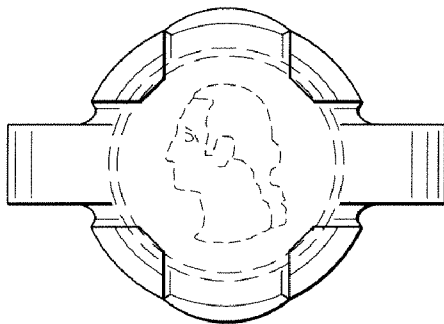


FIG. 4

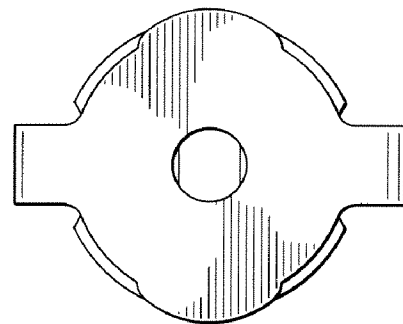


FIG. 5