



US00D562124S

(12) **United States Design Patent**
Hargis

(10) **Patent No.:** **US D562,124 S**

(45) **Date of Patent:** **** Feb. 19, 2008**

(54) **CLIP UNIT FOR INSTALLING MEDALLIONS**

(75) Inventor: **Eddie Steven Hargis**, Rocky Mount, NC (US)

(73) Assignee: **Focal Point Products, Inc.**, Tarboro, NC (US)

(**) Term: **14 Years**

(21) Appl. No.: **29/273,650**

(22) Filed: **Mar. 8, 2007**

(51) **LOC (8) Cl.** **08-08**

(52) **U.S. Cl.** **D8/394**

(58) **Field of Classification Search** D8/356,
D8/371, 394-396, 354, 355; 24/16 R, 279;
248/49, 62, 74.1-74.4, 73

See application file for complete search history.

(56) **References Cited**

U.S. PATENT DOCUMENTS

2,503,468	A *	4/1950	Carey	172/654
D318,409	S *	7/1991	Garrett	D8/72
5,219,386	A *	6/1993	Kletzmaier et al.	70/277
D337,255	S *	7/1993	Novelli, Sr.	D8/356
5,861,742	A *	1/1999	Miller et al.	324/156
6,439,093	B1 *	8/2002	Davies	83/687
2004/0144710	A1 *	7/2004	Bassett et al.	210/234
2005/0067342	A1 *	3/2005	Bassett et al.	210/418
2007/0012727	A1 *	1/2007	Licari	222/167

* cited by examiner

Primary Examiner—Stella M. Reid
Assistant Examiner—John Windmuller
(74) *Attorney, Agent, or Firm*—Melvin I. Stoltz

(57) **CLAIM**

The ornamental design for a clip unit for installing medallions, as shown and described.

DESCRIPTION

FIG. 1 is a perspective view of a clip unit for installing medallions showing my new design;

FIG. 2 is a front elevational view of the support base portion;

FIG. 3 is a left side elevational view thereof, the right side elevational view being a mirror image thereof;

FIG. 4 is a bottom plan view thereof;

FIG. 5 is a top plan view thereof;

FIG. 6 is a front elevational view of the marking post portion;

FIG. 7 is a left side elevational view thereof, the right side elevational view being a mirror image thereof;

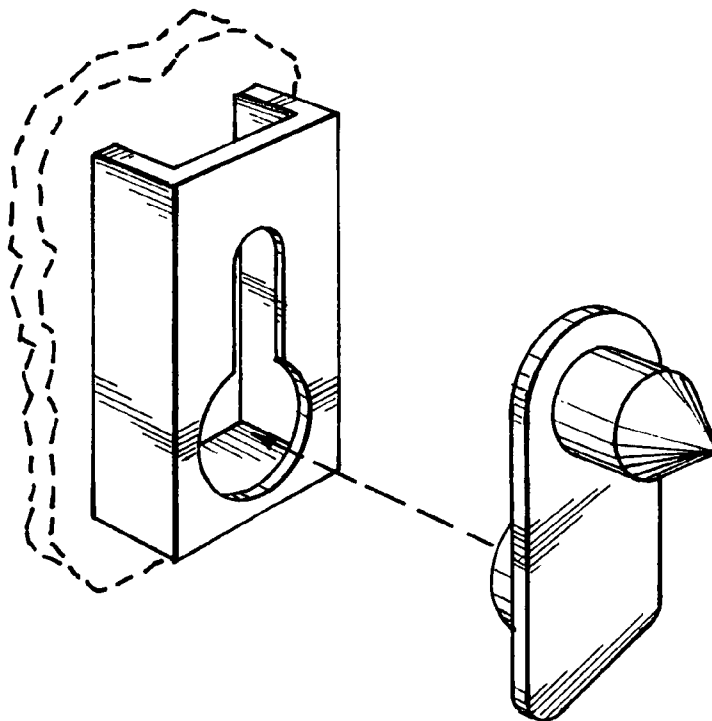
FIG. 8 is a rear elevational view thereof;

FIG. 9 is a top plan view thereof; and,

FIG. 10 is a bottom plan view thereof;

The broken line showing in FIGS. 1-5 is included for the purpose of illustrating environment and forms no part of the claimed design.

1 Claim, 2 Drawing Sheets



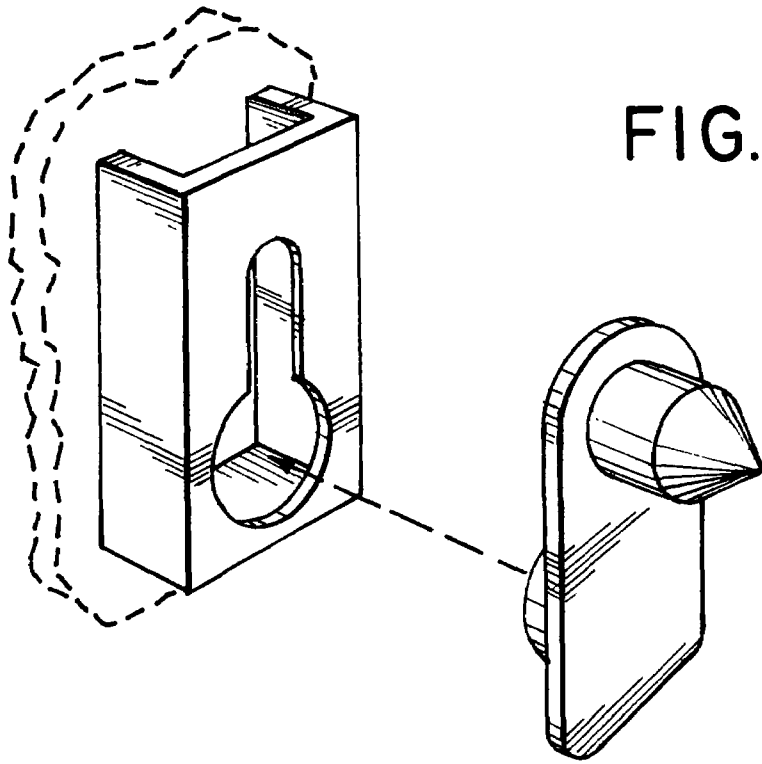


FIG. 2

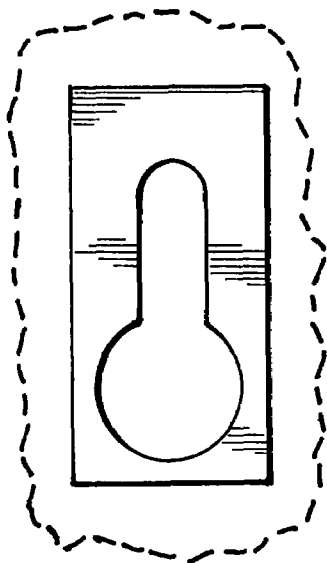


FIG. 3



FIG. 4

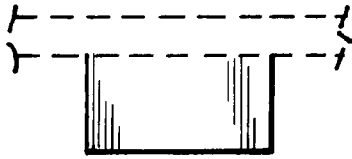


FIG. 5

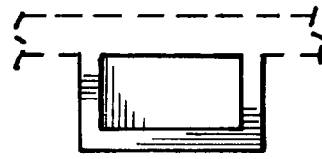


FIG. 6

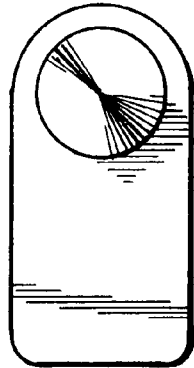


FIG. 7

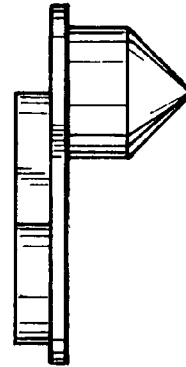


FIG. 8

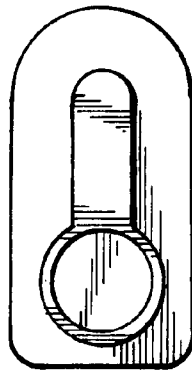


FIG. 9

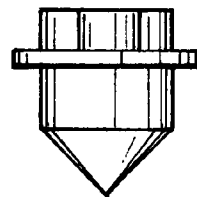


FIG. 10

