



US00D574248S

(12) **United States Design Patent**  
**Baraky et al.**

(10) **Patent No.:** **US D574,248 S**

(45) **Date of Patent:** **\*\* Aug. 5, 2008**

(54) **SCENT BOTTLE FOR AN ELECTRIC AIR FRESHENER AND CAP**

D444,394 S \* 7/2001 Mettler ..... D9/574  
D536,980 S \* 2/2007 Smith et al. .... D9/522

(75) Inventors: **David Baraky**, New Albany, OH (US);  
**Robert Bussom**, Pickerington, OH (US)

\* cited by examiner

(73) Assignee: **Bath & Body Works Brand Management, Inc.**, Reynoldsburg, OH (US)

*Primary Examiner*—Ian Simmons  
*Assistant Examiner*—Dana L Sipos  
(74) *Attorney, Agent, or Firm*—Ward & Olivo

(\*\*) Term: **14 Years**

(57) **CLAIM**

(21) Appl. No.: **29/268,577**

The ornamental design for a scent bottle for an electric air freshener and cap, as shown and described.

(22) Filed: **Nov. 10, 2006**

**DESCRIPTION**

(51) **LOC (8) Cl.** ..... **09-01**

FIG. 1 is a top, front, right side perspective of a scent bottle for an electric air freshener and cap showing our new design;

(52) **U.S. Cl.** ..... **D9/529; D9/573; D9/574; D9/900**

FIG. 2 is a front elevational view thereof;

(58) **Field of Classification Search** ..... D9/434–436, D9/516, 529, 544, 564, 682, 686–687, 694, D9/715, 718, 723–725, 727–730, 900; D28/4, D28/7, 20; D4/116; 215/379, 381–382; 220/660–662, 669, 675

FIG. 3 is a side elevational view thereof;

FIG. 4 is a top plan view thereof;

FIG. 5 is a bottom plan view thereof;

See application file for complete search history.

FIG. 6 is a top, front, right side perspective view of the bottle of FIG. 1 with the outer cap portion removed;

FIG. 7 is a front elevational view thereof;

FIG. 8 is a side elevational view thereof;

FIG. 9 is a top plan view thereof; and,

FIG. 10 is a bottom plan view thereof.

The broken lines shown in the drawings are for illustrative purposes only and form no part of the claimed design.

(56) **References Cited**

**U.S. PATENT DOCUMENTS**

D252,739 S *	8/1979	Grodin .....	D9/573
D256,886 S *	9/1980	DiScala .....	D9/529
D298,412 S *	11/1988	Ciuba .....	D9/430
D395,606 S *	6/1998	Taconelli .....	D9/574
D425,794 S *	5/2000	Grossnickle .....	D9/520
D430,035 S *	8/2000	Heeter et al. ....	D9/529

**1 Claim, 4 Drawing Sheets**

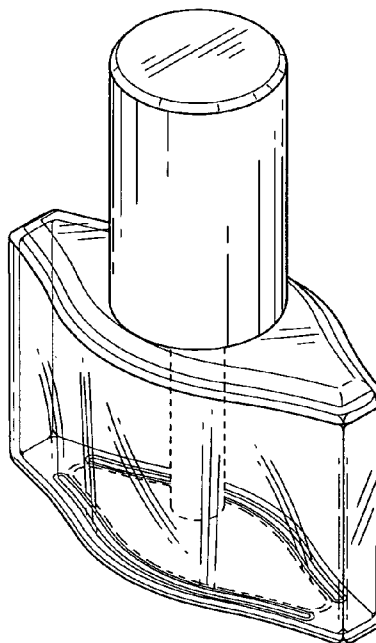
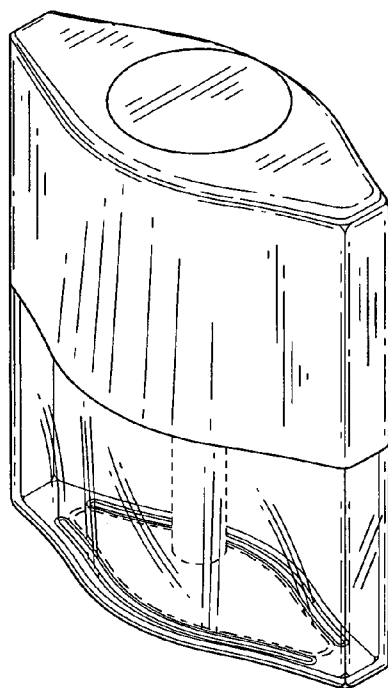


FIG. 1

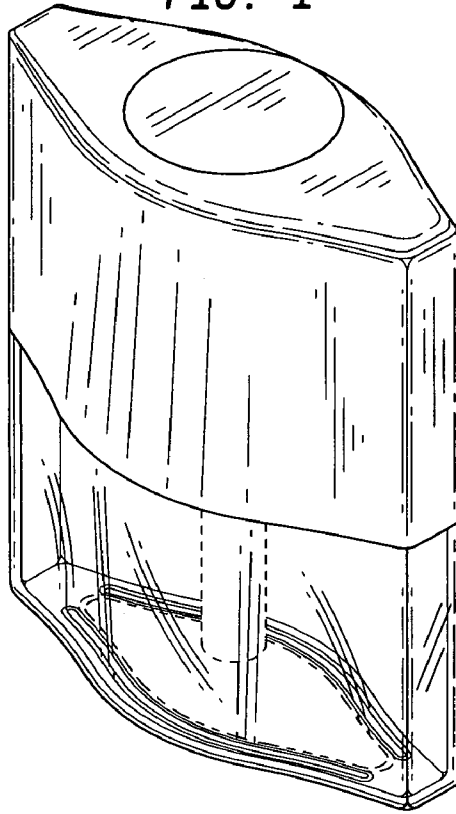


FIG. 2

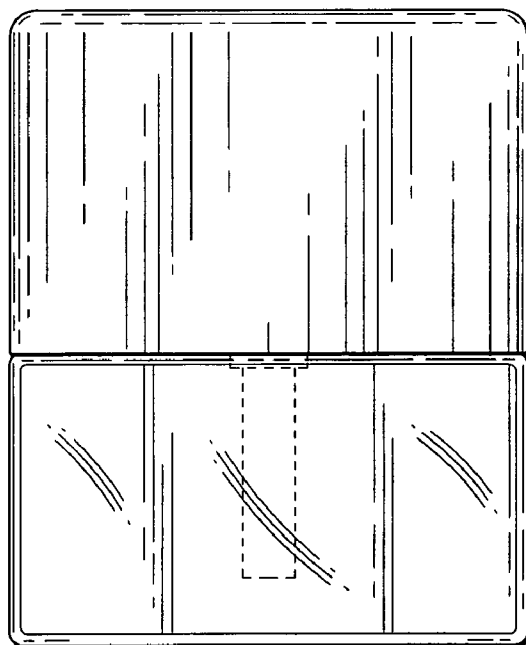


FIG. 3

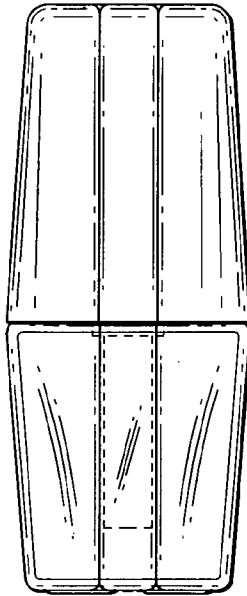


FIG. 4

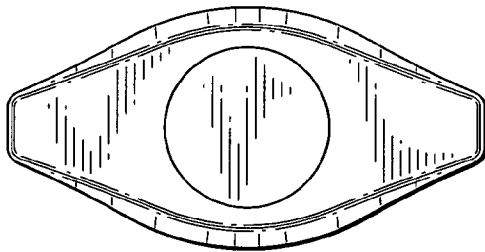


FIG. 5

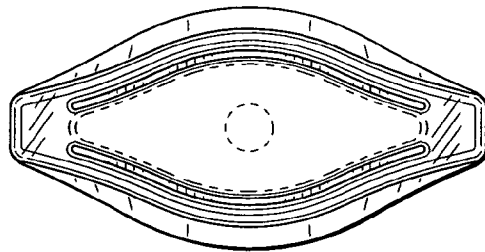


FIG. 6

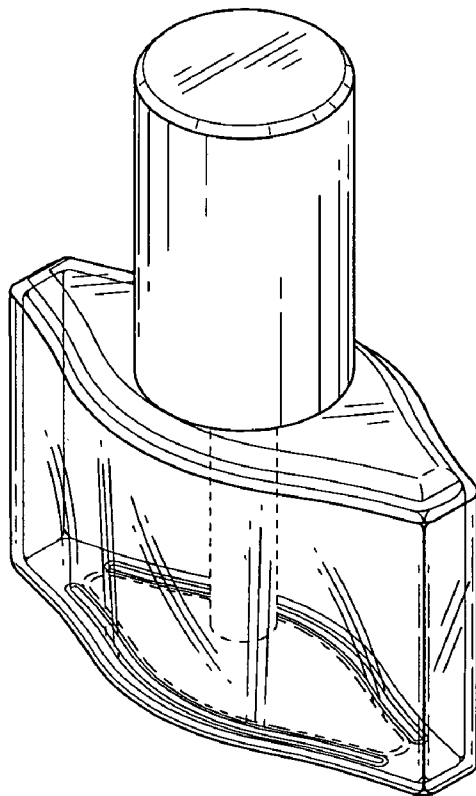


FIG. 7

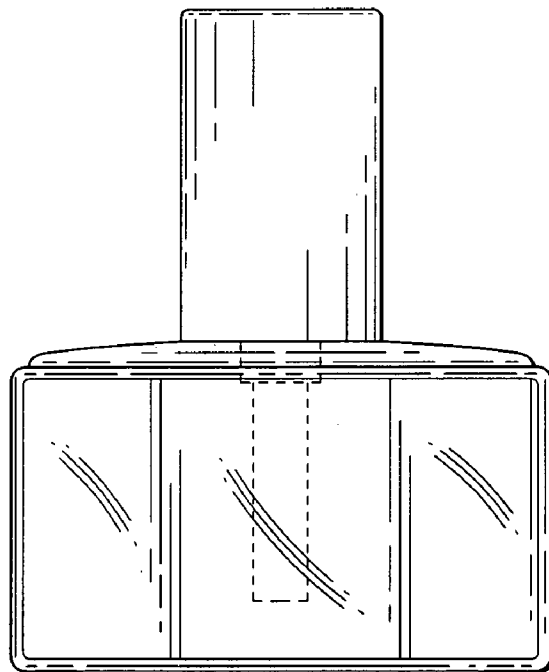


FIG. 8

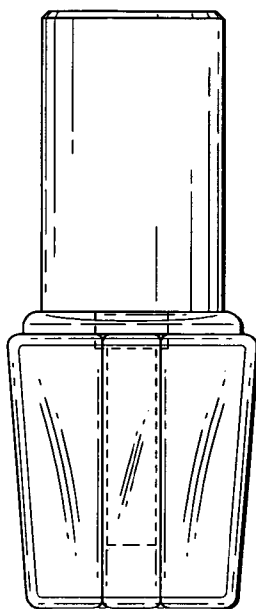


FIG. 9

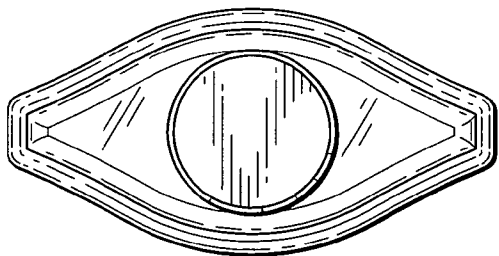


FIG. 10

