

(19) World Intellectual Property Organization
International Bureau



(43) International Publication Date
29 July 2004 (29.07.2004)

PCT

(10) International Publication Number
WO 2004/063850 A3

(51) International Patent Classification⁷: G06F 12/00

MCMASTER, Shaun; Emulex Corporation, 3535 Harbor boulevard, Costa Mesa, CA 93636 (US). SPENCER, Thomas, V.; Emulex Corporation, 3535 Harbor Boulevard, Costa Mesa, CA 92626 (US).

(21) International Application Number:
PCT/US2003/040967

(22) International Filing Date:
19 December 2003 (19.12.2003)

(74) Agents: KUBOTA, Glenn, M. et al.; Morrison & Foerster LLP, 555 West Fifth Street, Los Angeles, CA 90013-1024 (US).

(25) Filing Language: English

(26) Publication Language: English

(81) Designated States (national): CA, JP, KR.

(30) Priority Data:
10/340,078 9 January 2003 (09.01.2003) US

(84) Designated States (regional): European patent (AT, BE, BG, CH, CY, CZ, DE, DK, EE, ES, FI, FR, GB, GR, HU, IE, IT, LU, MC, NL, PT, RO, SE, SI, SK, TR).

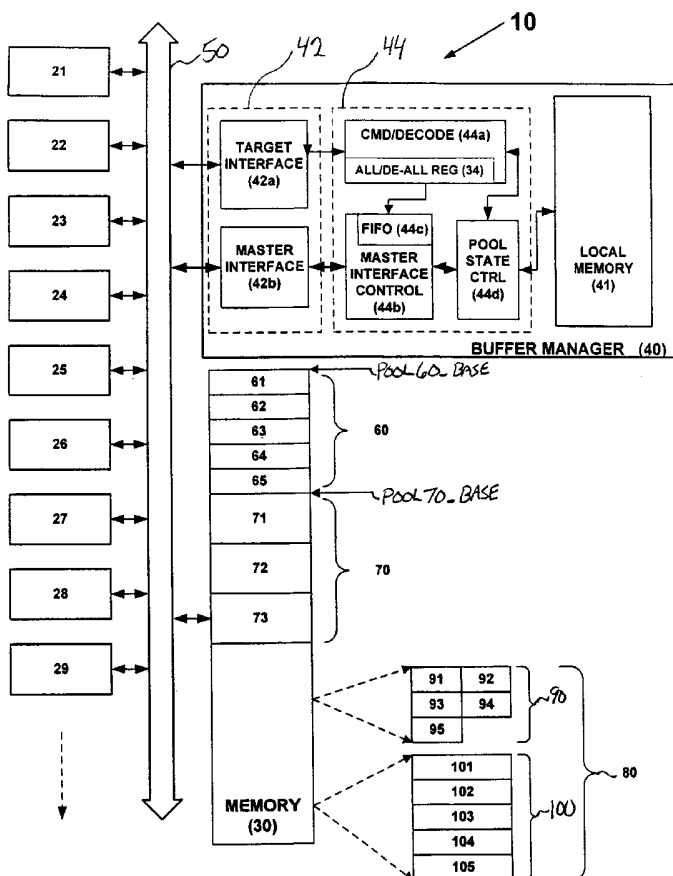
(71) Applicant: EMULEX DESIGN & MANUFACTURING CORPORATION [US/US]; 3333 Susan Street, Costa Mesa, CA 92626 (US).

Published:
— with international search report
— before the expiration of the time limit for amending the claims and to be republished in the event of receipt of amendments

(72) Inventors: CLAYTON, Shawn, Adam; Emulex Corporation, 3535 Harbor Boulevard, Costa Mesa, CA 93636 (US).

[Continued on next page]

(54) Title: MANAGING MEMORY BY USING A FREE BUFFER POOL



(57) Abstract: A method includes receiving a first buffer allocation command from a first processor, the allocation command including a register address associated with a pool of buffers in a shared memory, determining whether a buffer is available in the buffer pool based upon a buffer index corresponding to a free buffer, and if a buffer is determined available allocating the buffer to the first processor.

WO 2004/063850 A3



(88) Date of publication of the international search report:
23 December 2004

For two-letter codes and other abbreviations, refer to the "Guidance Notes on Codes and Abbreviations" appearing at the beginning of each regular issue of the PCT Gazette.

INTERNATIONAL SEARCH REPORT

International application No.

PCT/US03/40967

A. CLASSIFICATION OF SUBJECT MATTER

IPC(7) : G06F 12/00
 US CL : 711/147,170

According to International Patent Classification (IPC) or to both national classification and IPC

B. FIELDS SEARCHED

Minimum documentation searched (classification system followed by classification symbols)
 U.S. : 711/147,170-172,110

Documentation searched other than minimum documentation to the extent that such documents are included in the fields searched

Electronic data base consulted during the international search (name of data base and, where practicable, search terms used)
 APS

C. DOCUMENTS CONSIDERED TO BE RELEVANT

Category *	Citation of document, with indication, where appropriate, of the relevant passages	Relevant to claim No.
X --- Y	US 5,432,908 A (HEDDES et al) 11 July 1995.	1,9,10,15 ----- 16, 17, 21, 22, 25
X --- Y	US 5,682,553 A (OSBORNE) 28 October 1997.	1-2, 6-7, 9-10 ----- 3, 16-17, 21-22, 25

Further documents are listed in the continuation of Box C.

See patent family annex.

<p>* Special categories of cited documents:</p> <p>"A" document defining the general state of the art which is not considered to be of particular relevance</p> <p>"E" earlier application or patent published on or after the international filing date</p> <p>"L" document which may throw doubts on priority claim(s) or which is cited to establish the publication date of another citation or other special reason (as specified)</p> <p>"O" document referring to an oral disclosure, use, exhibition or other means</p> <p>"P" document published prior to the international filing date but later than the priority date claimed</p>	<p>"T" later document published after the international filing date or priority date and not in conflict with the application but cited to understand the principle or theory underlying the invention</p> <p>"X" document of particular relevance; the claimed invention cannot be considered novel or cannot be considered to involve an inventive step when the document is taken alone</p> <p>"Y" document of particular relevance; the claimed invention cannot be considered to involve an inventive step when the document is combined with one or more other such documents, such combination being obvious to a person skilled in the art</p> <p>"&" document member of the same patent family</p>
---	---

Date of the actual completion of the international search
 18 October 2004 (18.10.2004)

Date of mailing of the international search report
04 NOV 2004

Name and mailing address of the ISA/US
 Mail Stop PCT, Attn: ISA/US
 Commissioner for Patents
 P.O. Box 1450
 Alexandria, Virginia 22313-1450
 Facsimile No. (703) 305-3230

Authorized officer
 Matthew M. Kim *James R. Matthews*
 Telephone No. (703) 305-3900