

(19) World Intellectual Property Organization  
International Bureau



(43) International Publication Date  
19 October 2006 (19.10.2006)

PCT

(10) International Publication Number  
**WO 2006/110913 A3**

- (51) International Patent Classification:  
*G01N 27/403* (2006.01) *G01N 27/416* (2006.01)
- (21) International Application Number:  
PCT/US2006/014281
- (22) International Filing Date: 13 April 2006 (13.04.2006)
- (25) Filing Language: English
- (26) Publication Language: English
- (30) Priority Data:  
11/106,256 13 April 2005 (13.04.2005) US
- (71) Applicant (for all designated States except US):  
**THERASENSE, INC.** [US/US]; 1360 South Loop Road, Alameda, CA 94502 (US).

CO, CR, CU, CZ, DE, DK, DM, DZ, EC, EE, EG, ES, FI, GB, GD, GE, GH, GM, HR, HU, ID, IL, IN, IS, JP, KE, KG, KM, KN, KP, KR, KZ, LC, LK, LR, LS, LT, LU, LV, LY, MA, MD, MG, MK, MN, MW, MX, MZ, NA, NG, NI, NO, NZ, OM, PG, PH, PL, PT, RO, RU, SC, SD, SE, SG, SK, SL, SM, SY, TJ, TM, TN, TR, TT, TZ, UA, UG, US, UZ, VC, VN, YU, ZA, ZM, ZW.

(84) Designated States (unless otherwise indicated, for every kind of regional protection available): ARIPO (BW, GH, GM, KE, LS, MW, MZ, NA, SD, SL, SZ, TZ, UG, ZM, ZW), Eurasian (AM, AZ, BY, KG, KZ, MD, RU, TJ, TM), European (AT, BE, BG, CH, CY, CZ, DE, DK, EE, ES, FI, FR, GB, GR, HU, IE, IS, IT, LT, LU, LV, MC, NL, PL, PT, RO, SE, SI, SK, TR), OAPI (BF, BJ, CF, CG, CI, CM, GA, GN, GQ, GW, ML, MR, NE, SN, TD, TG).

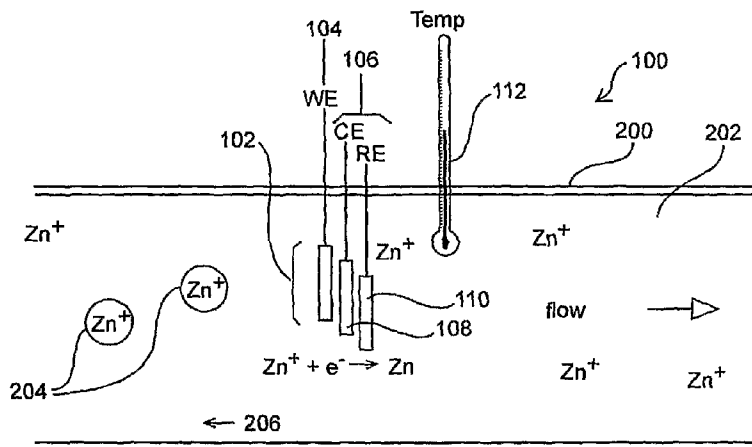
**Published:**  
— with international search report  
— before the expiration of the time limit for amending the claims and to be republished in the event of receipt of amendments

- (72) Inventor; and
- (75) Inventor/Applicant (for US only): **RUSH, Benjamin, M.** [US/US]; 5915 La Salle Avenue, Oakland, CA 94611 (US).
- (74) Agent: **OH, Kuni;** Jackson & Co., LLP, 6114 La Salle Ave., #507, Oakland, CA 94611-2802 (US).
- (81) Designated States (unless otherwise indicated, for every kind of national protection available): AE, AG, AL, AM, AT, AU, AZ, BA, BB, BG, BR, BW, BY, BZ, CA, CH, CN,

(88) Date of publication of the international search report:  
19 April 2007

For two-letter codes and other abbreviations, refer to the "Guidance Notes on Codes and Abbreviations" appearing at the beginning of each regular issue of the PCT Gazette.

(54) Title: DEVICES AND METHODS FOR USE IN ASSESSING A FLOW CONDITION OF A FLUID



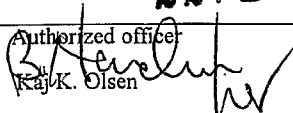
(57) Abstract: A device for use in assessing a flow condition of a fluid is provided. The device comprises at least one electrochemical cell (102), comprising a working electrode (104) and at least one other electrode (106), sufficient for communication with the fluid. The fluid comprises a component sufficient to affect a mass-transport limited electrochemical reaction at the working electrode (104). The device also comprises at least one microcontroller operably connected to the at least one electrochemical cell (102) for providing a potential or a current to the working electrode (104) and for assessing the electrochemical reaction. A method of assessing a flow condition of a fluid, or a fluid in a flow path, is also provided. The device and the method of the present invention may be used in connection with the delivery of a fluid-borne or fluidized drug or medicament to a subject.

WO 2006/110913 A3

# INTERNATIONAL SEARCH REPORT

International application No.

PCT/US06/14281

<b>A. CLASSIFICATION OF SUBJECT MATTER</b> IPC: <b>G01N 27/403( 2006.01),27/416( 2006.01)</b>  USPC: 204/400,409,412;205/775,789.5,792 According to International Patent Classification (IPC) or to both national classification and IPC		
<b>B. FIELDS SEARCHED</b>  Minimum documentation searched (classification system followed by classification symbols) U.S. : 204/400,409,412; 205/775, 789.5,792; 73/861,07,861.08; 600/504  Documentation searched other than minimum documentation to the extent that such documents are included in the fields searched  Electronic data base consulted during the international search (name of data base and, where practicable, search terms used) Please See Continuation Sheet		
<b>C. DOCUMENTS CONSIDERED TO BE RELEVANT</b>		
Category *	Citation of document, with indication, where appropriate, of the relevant passages	Relevant to claim No.
X	US 3,930,493 A (WILLIAMSON) 6 January 1976 (06.01.1976), fig. 1 and col. 2, l. 34 through col. 4, l. 20.	1-11, 14, 18, 19, 22-90
X	CAPLUS abstract for BARBOSA et al, Analyst, 121(12), pp. 1789-1793, 1996, see entire document.	1-90
<input type="checkbox"/> Further documents are listed in the continuation of Box C. <span style="margin-left: 100px;"><input type="checkbox"/> See patent family annex.</span>		
* Special categories of cited documents:		
"A"	document defining the general state of the art which is not considered to be of particular relevance	"T" later document published after the international filing date or priority date and not in conflict with the application but cited to understand the principle or theory underlying the invention
"E"	earlier application or patent published on or after the international filing date	"X" document of particular relevance; the claimed invention cannot be considered novel or cannot be considered to involve an inventive step when the document is taken alone
"L"	document which may throw doubts on priority claim(s) or which is cited to establish the publication date of another citation or other special reason (as specified)	"Y" document of particular relevance; the claimed invention cannot be considered to involve an inventive step when the document is combined with one or more other such documents, such combination being obvious to a person skilled in the art
"O"	document referring to an oral disclosure, use, exhibition or other means	"&" document member of the same patent family
"P"	document published prior to the international filing date but later than the priority date claimed	
Date of the actual completion of the international search	Date of mailing of the international search report	
22 January 2007 (22.01.2007)	22 FEB 2007	
Name and mailing address of the ISA/US	Authorized officer	
Mail Stop PCT, Attn: ISA/US		
Commissioner for Patents	Kaj K. Olsen	
P.O. Box 1450	Telephone No. 571-272-1300	
Alexandria, Virginia 22313-1450		
Facsimile No. (571) 273-3201		

**INTERNATIONAL SEARCH REPORT**

International application No.  
PCT/US06/14281

Continuation of B. FIELDS SEARCHED Item 3:

CAPLUS

search terms: zinc, zn, insulin, blood, amperomet?, electrochem?, potentiomet?, polarograph?, voltammet?, coulomet?