



US00D412883S

United States Patent [19]

[11] Patent Number: **Des. 412,883**

Nakazawa

[45] Date of Patent: **** Aug. 17, 1999**

[54] **ELECTRICAL CONNECTOR**

[75] Inventor: **Yasuo Nakazawa**, Gunma, Japan

[73] Assignee: **Hosiden Corporation**, Osaka, Japan

[**] Term: **14 Years**

3,818,420 6/1974 Barr 439/314 X
 3,982,808 9/1976 Marechal 439/314 X
 4,284,313 8/1981 Anhalt 439/314 X
 4,483,579 11/1984 Derr et al. 439/314 X
 4,703,989 11/1987 Price et al. 439/314 X
 5,015,195 5/1991 Piriz 439/318
 5,490,790 2/1996 Okada 439/314 X
 5,505,632 4/1996 Hayashi et al. 439/318

[21] Appl. No.: **29/095,257**

[22] Filed: **Oct. 20, 1998**

Primary Examiner—Joel Sincavage
Attorney, Agent, or Firm—Pollock, Vande Sande & Amernick

[30] **Foreign Application Priority Data**

May 19, 1998 [JP] Japan 10-14346

[51] **LOC (6) Cl.** **13-03**

[52] **U.S. Cl.** **D13/146**

[58] **Field of Search** D13/133, 146;
 439/314, 316, 318, 332

[57] **CLAIM**

The ornamental design for an electrical connector, as shown and described.

[56] **References Cited**

U.S. PATENT DOCUMENTS

D. 312,814 12/1990 Takizawa D13/133
 D. 320,001 9/1991 Hirabayashi D13/146
 D. 322,954 1/1992 Avramovich D13/146
 D. 356,296 3/1995 Chapman D13/146
 D. 399,189 10/1998 Lin D13/146
 D. 406,816 3/1999 Happer et al. D13/146

DESCRIPTION

FIG. 1 is a perspective view of an electrical connector showing my new design;
 FIG. 2 is a right side elevational view of an electrical connector showing my new design;
 FIG. 3 is a left side elevational view thereof;
 FIG. 4 is a top plan view thereof;
 FIG. 5 is a bottom plan view thereof;
 FIG. 6 is a front view thereof; and,
 FIG. 7 is a rear thereof.

1 Claim, 2 Drawing Sheets

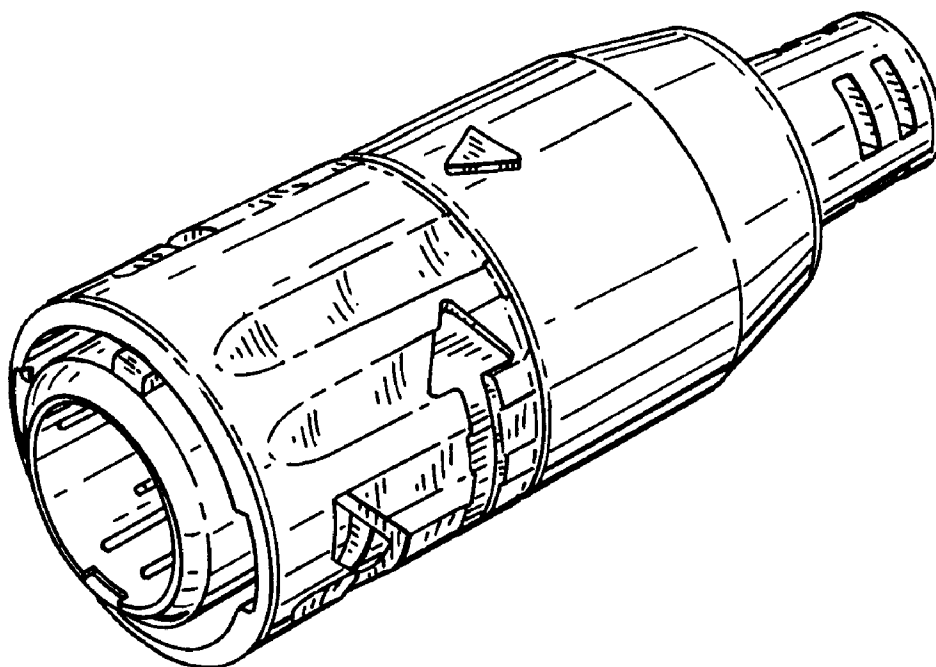


FIG. 1

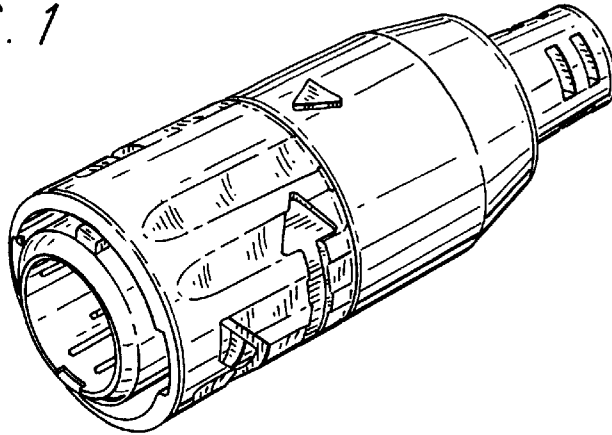


FIG. 2

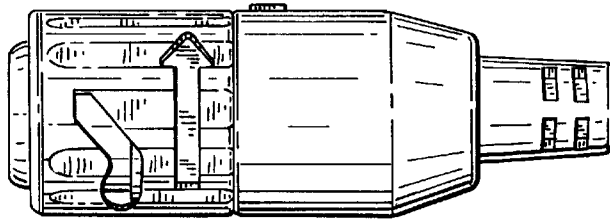


FIG. 3

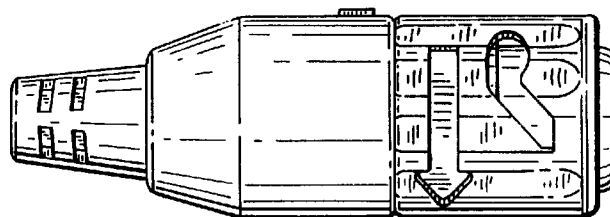


FIG. 4

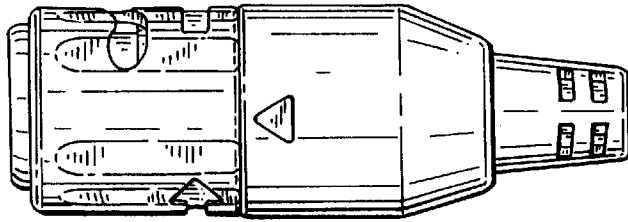


FIG. 5

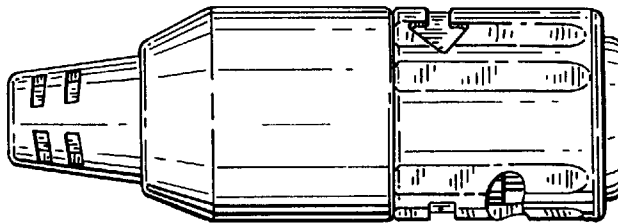


FIG. 6

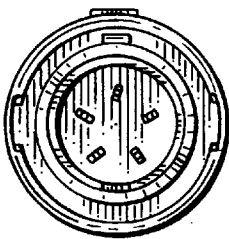


FIG. 7

