

(19) World Intellectual Property Organization
International Bureau



(43) International Publication Date
27 December 2007 (27.12.2007)

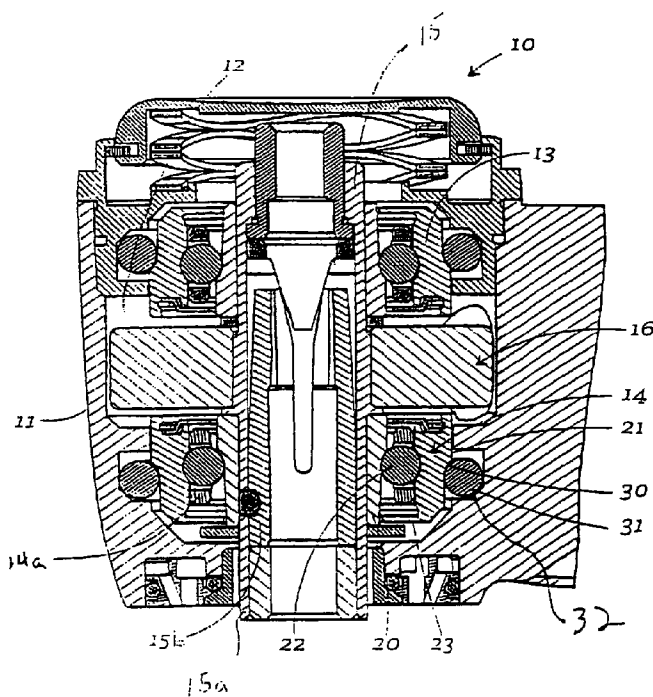
PCT

(10) International Publication Number
WO 2007/149368 A3

- (51) International Patent Classification:
A61C 1/18 (2006.01) F16C 33/62 (2006.01)
F16C 27/06 (2006.01)
- (21) International Application Number:
PCT/US2007/014159
- (22) International Filing Date: 14 June 2007 (14.06.2007)
- (25) Filing Language: English
- (26) Publication Language: English
- (30) Priority Data:
11/455,015 16 June 2006 (16.06.2006) US
- (71) Applicant (for all designated States except US):
DENTSPLY INTERNATIONAL INC. [US/US]; 570
West College Avenue, P.O. Box 872, York, PA 17405-0872
(US).
- (72) Inventors; and
- (75) Inventors/Applicants (for US only): NOVAK, Eugene,
J. [US/US]; 1048 Inverrary Lane, Deerfield, IL 60015
(US). PAPANEK, Tom [US/US]; 1521 Heritage Court,
Lake Forest, IL 60045 (US). AYZENSHETYN, Mikhail
[US/US]; 791 Dunhill Drive, Buffalo Grove, IL 60089
(US).
- (74) Agents: HURA, Douglas, J. et al.; Dentsply International
Inc., 570 West College Avenue, P.O. Box 872, York, PA
17405-0872 (US).
- (81) Designated States (unless otherwise indicated, for every
kind of national protection available): AE, AG, AL, AM,
AT, AU, AZ, BA, BB, BG, BH, BR, BW, BY, BZ, CA, CH,
CN, CO, CR, CU, CZ, DE, DK, DM, DO, DZ, EC, EE, EG,
ES, FI, GB, GD, GE, GH, GM, GT, HN, HR, HU, ID, IL,
IN, IS, JP, KE, KG, KM, KN, KP, KR, KZ, LA, LC, LK,
LR, LS, LT, LU, LY, MA, MD, ME, MG, MK, MN, MW,
MX, MY, MZ, NA, NG, NI, NO, NZ, OM, PG, PH, PL,
PT, RO, RS, RU, SC, SD, SE, SG, SK, SL, SM, SV, SY,
TJ, TM, TN, TR, TT, TZ, UA, UG, US, UZ, VC, VN, ZA,
ZM, ZW.
- (84) Designated States (unless otherwise indicated, for every
kind of regional protection available): ARIPO (BW, GH,
GM, KE, LS, MW, MZ, NA, SD, SL, SZ, TZ, UG, ZM,
ZW), Eurasian (AM, AZ, BY, KG, KZ, MD, RU, TJ, TM),
European (AT, BE, BG, CH, CY, CZ, DE, DK, EE, ES, FI,
FR, GB, GR, HU, IE, IS, IT, LT, LU, LV, MC, MT, NL, PL,
PT, RO, SE, SI, SK, TR), OAPI (BF, BJ, CF, CG, CI, CM,
GA, GN, GQ, GW, ML, MR, NE, SN, TD, TG).

[Continued on next page]

(54) Title: IMPROVED BEARING FOR DENTAL HANDPIECE



(57) Abstract: A dental handpiece (10) has a supporting rotor assembly (15) and ball bearings (13, 14) supporting the rotor. Each ball bearing (13, 14) has a plurality of balls (22). Each bearing (13, 14) has an inner race (20) and an outer race (21) and at least the outer race (21) has an increased outer diameter.

WO 2007/149368 A3



Published:

- *with international search report*
- *before the expiration of the time limit for amending the claims and to be republished in the event of receipt of amendments*

(88) Date of publication of the international search report:
19 June 2008

INTERNATIONAL SEARCH REPORT

International application No
PCT/US2007/014159

A. CLASSIFICATION OF SUBJECT MATTER INV. A61C1/18 F16C27/06 F16C33/62		
According to International Patent Classification (IPC) or to both national classification and IPC		
B. FIELDS SEARCHED		
Minimum documentation searched (classification system followed by classification symbols) A61C F16C		
Documentation searched other than minimum documentation to the extent that such documents are included in the fields searched		
Electronic data base consulted during the international search (name of data base and, where practical, search terms used) EPO-Internal, WPI Data		
C. DOCUMENTS CONSIDERED TO BE RELEVANT		
Category*	Citation of document, with indication, where appropriate, of the relevant passages	Relevant to claim No.
X	WO 03/022170 A (DENTSPLY INT INC [US]) 20 March 2003 (2003-03-20) claim 1; table 1	1, 2, 6-8
X	US 3 218 109 A (KENZO SATO) 16 November 1965 (1965-11-16) the whole document.	1
<input type="checkbox"/> Further documents are listed in the continuation of Box C. <input checked="" type="checkbox"/> See patent family annex.		
* Special categories of cited documents : *A* document defining the general state of the art which is not considered to be of particular relevance *E* earlier document but published on or after the international filing date *L* document which may throw doubts on priority claim(s) or which is cited to establish the publication date of another citation or other special reason (as specified) *O* document referring to an oral disclosure, use, exhibition or other means *P* document published prior to the international filing date but later than the priority date claimed *T* later document published after the international filing date or priority date and not in conflict with the application but cited to understand the principle or theory underlying the invention *X* document of particular relevance; the claimed invention cannot be considered novel or cannot be considered to involve an inventive step when the document is taken alone *Y* document of particular relevance; the claimed invention cannot be considered to involve an inventive step when the document is combined with one or more other such documents, such combination being obvious to a person skilled in the art. *&* document member of the same patent family		
Date of the actual completion of the international search 12 December 2007		Date of mailing of the international search report 22/04/2008
Name and mailing address of the ISA/ European Patent Office, P.B. 5818 Patentlaan 2 NL - 2280 HV Rijswijk Tel. (+31-70) 340-2040, Tx. 31 651 epo nl, Fax: (+31-70) 340-3016		Authorized officer Roche, Olivier

INTERNATIONAL SEARCH REPORT

International application No.
PCT/US2007/014159

Box No. II Observations where certain claims were found unsearchable (Continuation of item 2 of first sheet)

This international search report has not been established in respect of certain claims under Article 17(2)(a) for the following reasons:

1. Claims Nos.:
because they relate to subject matter not required to be searched by this Authority, namely:

2. Claims Nos.:
because they relate to parts of the international application that do not comply with the prescribed requirements to such an extent that no meaningful international search can be carried out, specifically:

3. Claims Nos.:
because they are dependent claims and are not drafted in accordance with the second and third sentences of Rule 6.4(a).

Box No. III Observations where unity of invention is lacking (Continuation of item 3 of first sheet)

This International Searching Authority found multiple inventions in this international application, as follows:

see additional sheet

1. As all required additional search fees were timely paid by the applicant, this international search report covers allsearchable claims.

2. As all searchable claims could be searched without effort justifying an additional fees, this Authority did not invite payment of additional fees.

3. As only some of the required additional search fees were timely paid by the applicant, this international search report covers only those claims for which fees were paid, specifically claims Nos.:

4. No required additional search fees were timely paid by the applicant. Consequently, this international search report is restricted to the invention first mentioned in the claims; it is covered by claims Nos.:

see annex

Remark on Protest

- The additional search fees were accompanied by the applicant's protest and, where applicable, the payment of a protest fee.
- The additional search fees were accompanied by the applicant's protest but the applicable protest fee was not paid within the time limit specified in the invitation.
- No protest accompanied the payment of additional search fees.

FURTHER INFORMATION CONTINUED FROM PCT/ISA/ 210

This International Searching Authority found multiple (groups of) inventions in this international application, as follows:

1. claims: 1-8

Thickened race

2. claims: 9-18

Element with damping properties

INTERNATIONAL SEARCH REPORT

Information on patent family members

International application No

PCT/US2007/014159

Patent document cited in search report		Publication date	Patent family member(s)	Publication date
WO 03022170	A	20-03-2003	CA 2460346 A1	20-03-2003
			EP 1424951 A1	09-06-2004
			JP 2005501650 T	20-01-2005
			US 2005130101 A1	16-06-2005
			US 2003175654 A1	18-09-2003
			US 2007172791 A1	26-07-2007
<hr/>				
US 3218109	A	16-11-1965	NONE	
<hr/>				