



US00D710833S

(12) **United States Design Patent**  
**Zheng et al.**

(10) **Patent No.:** **US D710,833 S**

(45) **Date of Patent:** **\*\* \*Aug. 12, 2014**

(54) **WHITE ANTENNA**

(71) Applicant: **Airgain, Inc.**, Carlsbad, CA (US)

(72) Inventors: **Bei Zheng**, Zhang Jia Gang (CN);  
**Chang Wei**, Zhang Jia Gang (CN)

(73) Assignee: **Airgain, Inc.**, San Diego, CA (US)

(\*) Notice: This patent is subject to a terminal disclaimer.

(\*\*) Term: **14 Years**

(21) Appl. No.: **29/468,334**

(22) Filed: **Sep. 28, 2013**

(51) **LOC (10) Cl.** ..... **14-03**

(52) **U.S. Cl.**  
USPC ..... **D14/230**

(58) **Field of Classification Search**  
USPC ..... D14/138, 230-238, 299, 358; D12/42, D12/43; 343/700 MS, 700 R-705, 711-713, 343/735, 736, 741, 748, 767, 795, 819, 840, 343/846, 866, 871-908; 455/90.2, 90.3, 91, 455/128, 269, 344, 347, 562.1; 333/193, 333/195

See application file for complete search history.

(56) **References Cited**

**U.S. PATENT DOCUMENTS**

7,148,849	B2 *	12/2006	Lin	.....	343/700 MS
7,333,067	B2 *	2/2008	Hung et al.	.....	343/770
D572,243	S *	7/2008	Lin et al.	.....	D14/230
7,405,704	B1 *	7/2008	Lin et al.	.....	343/702
D578,520	S *	10/2008	Miyoshi	.....	D14/230
D599,334	S *	9/2009	Chiang	.....	D14/230
7,642,967	B2 *	1/2010	Wang et al.	.....	343/702
7,705,783	B2 *	4/2010	Rao et al.	.....	343/700 MS
D621,819	S *	8/2010	Tsai et al.	.....	D14/230
7,843,390	B2 *	11/2010	Liu	.....	343/700 MS
D635,560	S *	4/2011	Tsai et al.	.....	D14/230

D635,963	S *	4/2011	Podduturi	.....	D14/230
D635,964	S *	4/2011	Podduturi	.....	D14/230
D658,639	S *	5/2012	Huang et al.	.....	D14/230
D684,565	S *	6/2013	Wei	.....	D14/230
D685,352	S *	7/2013	Wei	.....	D14/230
D694,738	S *	12/2013	Yang	.....	D14/230
D695,279	S *	12/2013	Yang et al.	.....	D14/230
D695,280	S *	12/2013	Yang et al.	.....	D14/230
2004/0222936	A1 *	11/2004	Hung et al.	.....	343/795
2005/0190108	A1 *	9/2005	Lin et al.	.....	343/702
2007/0030203	A1 *	2/2007	Tsai et al.	.....	343/702
2008/0150829	A1 *	6/2008	Lin et al.	.....	343/860
2009/0002244	A1 *	1/2009	Woo	.....	343/702
2009/0058739	A1 *	3/2009	Konishi	.....	343/702
2009/0135072	A1 *	5/2009	Ke et al.	.....	343/700 MS
2009/0262028	A1 *	10/2009	Mumbru et al.	.....	343/702
2010/0123628	A1 *	5/2010	Su et al.	.....	343/700 MS
2010/0188297	A1 *	7/2010	Chen et al.	.....	343/702
2011/0006950	A1 *	1/2011	Park et al.	.....	343/700 MS

\* cited by examiner

*Primary Examiner* — John Windmuller

(74) *Attorney, Agent, or Firm* — Clause Eight IPS; Michael Catania

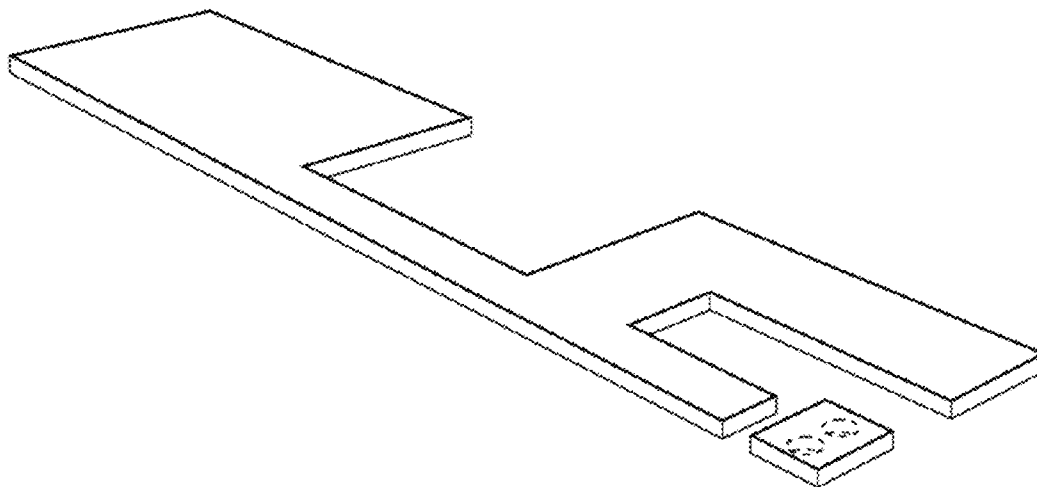
(57) **CLAIM**

The ornamental design for a white antenna, as shown and described.

**DESCRIPTION**

FIG. 1 is a front elevation view of a white antenna showing our new design, the claimed areas being white in color; FIG. 2 is a top plan view thereof; FIG. 3 is a bottom plan view thereof; FIG. 4 is a side elevation view thereof; FIG. 5 is a side elevation view thereof; and, FIG. 6 is a front perspective view thereof. The broken-line perimeter in FIG. 1 depicts a base that is not part of the claimed design. The other broken lines in FIGS. 1 and 6 depict small holes that are not part of the claimed design.

**1 Claim, 1 Drawing Sheet**



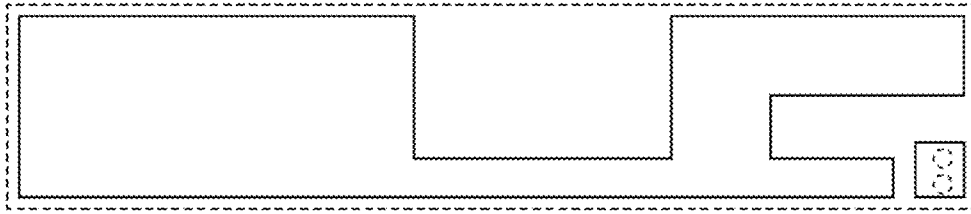


FIG. 1

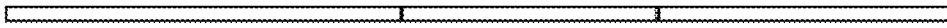


FIG. 2

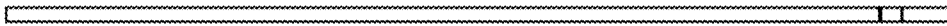


FIG. 3



FIG. 4



FIG. 5

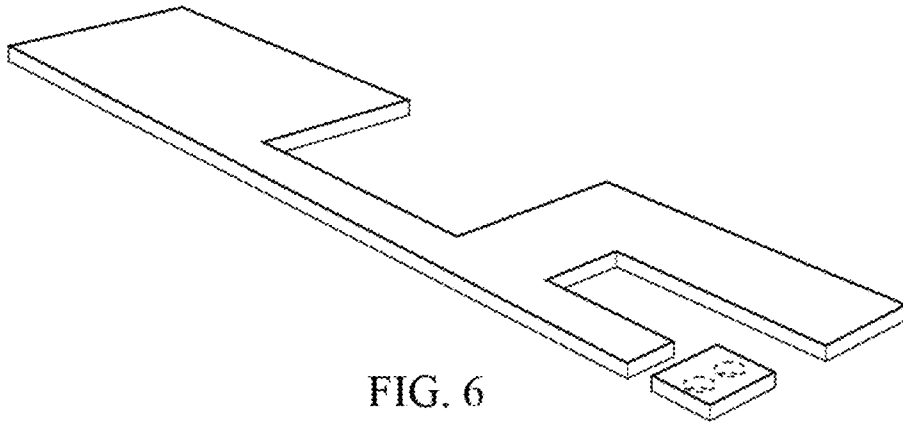


FIG. 6