

(19) World Intellectual Property Organization
International Bureau



(43) International Publication Date
3 March 2011 (03.03.2011)

(10) International Publication Number
WO 2011/025934 A3

(51) International Patent Classification:
H04B 3/54 (2006.01)

(74) Agent: TABOADA, Alan; MOSER IP LAW GROUP,
1030 Broad Street, Suite 203, Shrewsbury, New Jersey
07702 (US).

(21) International Application Number:
PCT/US2010/046942

(81) Designated States (unless otherwise indicated, for every
kind of national protection available): AE, AG, AL, AM,
AO, AT, AU, AZ, BA, BB, BG, BH, BR, BW, BY, BZ,
CA, CH, CL, CN, CO, CR, CU, CZ, DE, DK, DM, DO,
DZ, EC, EE, EG, ES, FI, GB, GD, GE, GH, GM, GT,
HN, HR, HU, ID, IL, IN, IS, JP, KE, KG, KM, KN, KP,
KR, KZ, LA, LC, LK, LR, LS, LT, LU, LY, MA, MD,
ME, MG, MK, MN, MW, MX, MY, MZ, NA, NG, NI,
NO, NZ, OM, PE, PG, PH, PL, PT, RO, RS, RU, SC, SD,
SE, SG, SK, SL, SM, ST, SV, SY, TH, TJ, TM, TN, TR,
TT, TZ, UA, UG, US, UZ, VC, VN, ZA, ZM, ZW.

(22) International Filing Date:
27 August 2010 (27.08.2010)

(25) Filing Language: English

(26) Publication Language: English

(30) Priority Data:
61/275,350 28 August 2009 (28.08.2009) US

(71) Applicant (for all designated States except US): EN-
PHASE ENERGY, INC. [US/US]; 201 1st Street Suite
300, Petaluma, California 94952 (US).

(84) Designated States (unless otherwise indicated, for every
kind of regional protection available): ARIPO (BW, GH,
GM, KE, LR, LS, MW, MZ, NA, SD, SL, SZ, TZ, UG,
ZM, ZW), Eurasian (AM, AZ, BY, KG, KZ, MD, RU, TJ,
TM), European (AL, AT, BE, BG, CH, CY, CZ, DE, DK,
EE, ES, FI, FR, GB, GR, HR, HU, IE, IS, IT, LT, LU,
LV, MC, MK, MT, NL, NO, PL, PT, RO, SE, SI, SK,

(72) Inventor; and
(75) Inventor/Applicant (for US only): FORNAGE, Martin
[FR/US]; 25 Halsey Avenue, Petaluma, California 94952
(US).

[Continued on next page]

(54) Title: POWER LINE COMMUNICATIONS APPARATUS

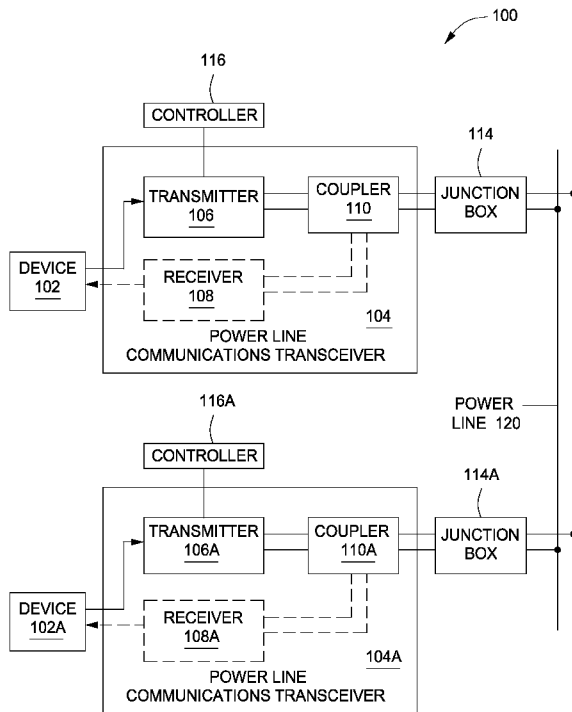
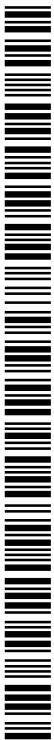


FIG. 1

(57) Abstract: Apparatus and system for communicating
data via a power line. The apparatus comprises a transmitter
comprising a modulator for generating a second digital
signal based on input data; a digital buffer for amplifying
the second digital signal to generate a third digital signal; a
filter for filtering the third digital signal to generate an
analog output waveform; and a coupler for coupling the
analog output waveform to the power line.



WO 2011/025934 A3



SM, TR), OAPI (BF, BJ, CF, CG, CI, CM, GA, GN, GQ,
GW, ML, MR, NE, SN, TD, TG).

— *before the expiration of the time limit for amending the
claims and to be republished in the event of receipt of
amendments (Rule 48.2(h))*

Published:

— *with international search report (Art. 21(3))*

(88) Date of publication of the international search report:

26 May 2011

A. CLASSIFICATION OF SUBJECT MATTER***H04B 3/54(2006.01)i***

According to International Patent Classification (IPC) or to both national classification and IPC

B. FIELDS SEARCHED

Minimum documentation searched (classification system followed by classification symbols)

IPC 9: H04B; H04M; H02J

Documentation searched other than minimum documentation to the extent that such documents are included in the fields searched

Korean utility models and applications for utility models

Japanese utility models and applications for utility models

Electronic data base consulted during the international search (name of data base and, where practicable, search terms used)

eKOMPASS(KIPO internal) & Keywords: Power, line, communication, transmitter, buffer, filter

C. DOCUMENTS CONSIDERED TO BE RELEVANT

Category*	Citation of document, with indication, where appropriate, of the relevant passages	Relevant to claim No.
A	US 5404127 A1 (LEE et al.) 04 April 1995 See the abstract, claim 1, and figures 3-4.	1-20
A	US 2007-0152628 A1 (LEE) 05 July 2007 See the abstract, claim 1, and figures 4-5.	1-20
A	US 5952914 A1 (WYNN) 14 September 1999 See the abstract, claim 1, and figures 2-4.	1-20

 Further documents are listed in the continuation of Box C. See patent family annex.

* Special categories of cited documents:

"A" document defining the general state of the art which is not considered to be of particular relevance

"E" earlier application or patent but published on or after the international filing date

"L" document which may throw doubts on priority claim(s) or which is cited to establish the publication date of citation or other special reason (as specified)

"O" document referring to an oral disclosure, use, exhibition or other means

"P" document published prior to the international filing date but later than the priority date claimed

"T" later document published after the international filing date or priority date and not in conflict with the application but cited to understand the principle or theory underlying the invention

"X" document of particular relevance; the claimed invention cannot be considered novel or cannot be considered to involve an inventive step when the document is taken alone

"Y" document of particular relevance; the claimed invention cannot be considered to involve an inventive step when the document is combined with one or more other such documents, such combination being obvious to a person skilled in the art

"&" document member of the same patent family

Date of the actual completion of the international search

30 MARCH 2011 (30.03.2011)

Date of mailing of the international search report

01 APRIL 2011 (01.04.2011)

Name and mailing address of the ISA/KR

Korean Intellectual Property Office
Government Complex-Daejeon, 189 Cheongsa-ro,
Seo-gu, Daejeon 302-701, Republic of Korea

Facsimile No. 82-42-472-7140

Authorized officer

SOHN, Hyun-Woong

Telephone No. 82-42-481-5973



INTERNATIONAL SEARCH REPORT

Information on patent family members

International application No.

PCT/US2010/046942

Patent document cited in search report	Publication date	Patent family member(s)	Publication date
US 5404127 A1	04.04.1995	WO 92-21194 A1	26.11.1992
US 2007-0152628 A1	05.07.2007	DE 102006015712 A1 TW 289386 B US 7839618 B2	19.07.2007 01.11.2007 23.11.2010
US 5952914 A1	14.09.1999	EP 0902550 A2 EP 0902550 A3	17.03.1999 26.01.2000