



US00D808784S

(12) **United States Design Patent**
Suzuki

(10) **Patent No.:** **US D808,784 S**
(45) **Date of Patent:** **** Jan. 30, 2018**

(54) **WALL BOARD ATTACHMENT LUG**

D656,393 S *	3/2012	Honda	D8/349
8,979,052 B2 *	3/2015	Uota	E04F 13/0846
				248/226.11
2003/0126820 A1 *	7/2003	Callahan	E04B 5/12
				52/514
2005/0102944 A1 *	5/2005	Hikai	E04F 13/0889
				52/511
2006/0272261 A1 *	12/2006	Ito	E04F 13/0846
				52/586.1
2016/0040433 A1 *	2/2016	Sawada	E04F 13/085
				52/506.05

(71) Applicant: **Nichiha Corporation**, Nagoya-shi,
Aichi (JP)

(72) Inventor: **Kenji Suzuki**, Nagoya (JP)

(73) Assignee: **NICHIHA CORPORATION**,
Nagoya-Shi (JP)

(**) Term: **15 Years**

(21) Appl. No.: **29/576,302**

(22) Filed: **Sep. 1, 2016**

(30) **Foreign Application Priority Data**

Mar. 3, 2016 (JP) 2016-004672

(51) **LOC (11) CL.** **08-08**

(52) **U.S. CL.**
USPC **D8/384; D8/382**

(58) **Field of Classification Search**
USPC D8/16, 19, 71, 349, 354, 373, 380, 382,
D8/384, 499; D25/102, 199
CPC E04F 13/0837; E04F 13/08; E04B
2002/7475; E04B 2001/405; E04B
2/7457; Y10S 52/06
See application file for complete search history.

(56) **References Cited**

U.S. PATENT DOCUMENTS

6,315,489 B1 *	11/2001	Watanabe	E04F 13/0846	248/220.21
D472,791 S *	4/2003	Callahan	D8/349	
D591,585 S *	5/2009	Hikai	D8/382	
D610,899 S *	3/2010	Hikai	D8/382	
D620,784 S *	8/2010	Hikai	D8/382	
D626,407 S *	11/2010	Tedesco	D8/380	
D649,015 S *	11/2011	Honda	D8/349	

FOREIGN PATENT DOCUMENTS

JP 1077229 S 7/2000

* cited by examiner

Primary Examiner — Sandra Snapp
Assistant Examiner — Ieisha Price

(74) *Attorney, Agent, or Firm* — Birch, Stewart, Kolasch
& Birch, LLP

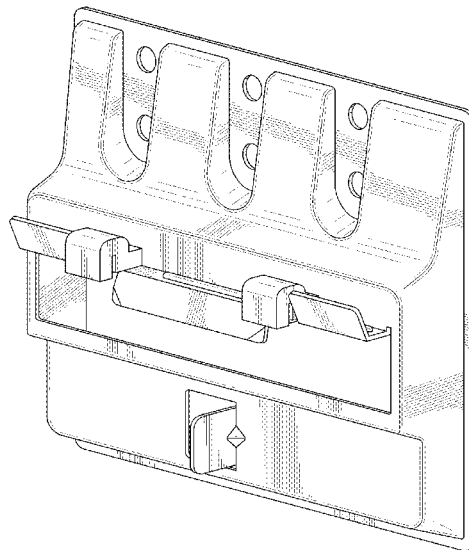
(57) **CLAIM**

The ornamental design for a wall board attachment lug, as shown and described.

DESCRIPTION

FIG. 1 is a front view of a wall board attachment lug showing my new design;
FIG. 2 is a back view thereof;
FIG. 3 is a top view thereof;
FIG. 4 is a bottom view thereof;
FIG. 5 is a right side view thereof;
FIG. 6 is a left side view thereto; and,
FIG. 7 is a front, right perspective view thereof.
The broken lines in the drawings illustrate portions of the wall board attachment lug and form no part of the claimed design.

1 Claim, 7 Drawing Sheets



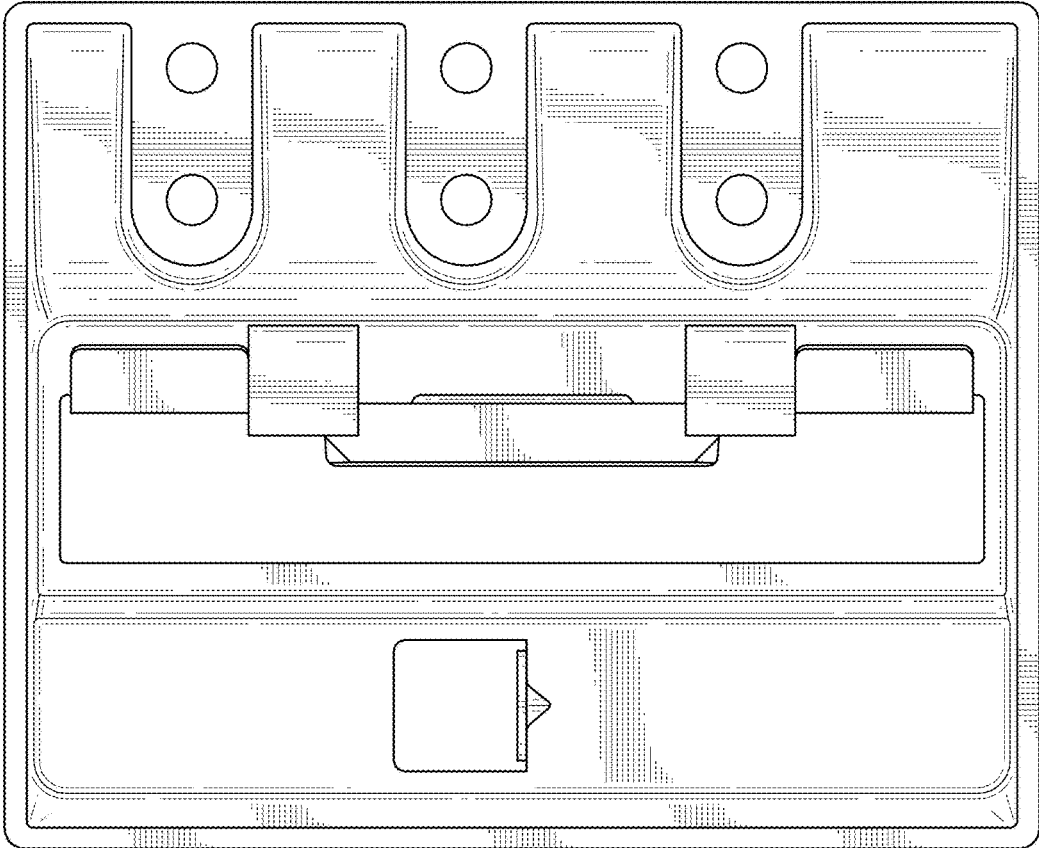


FIG.1

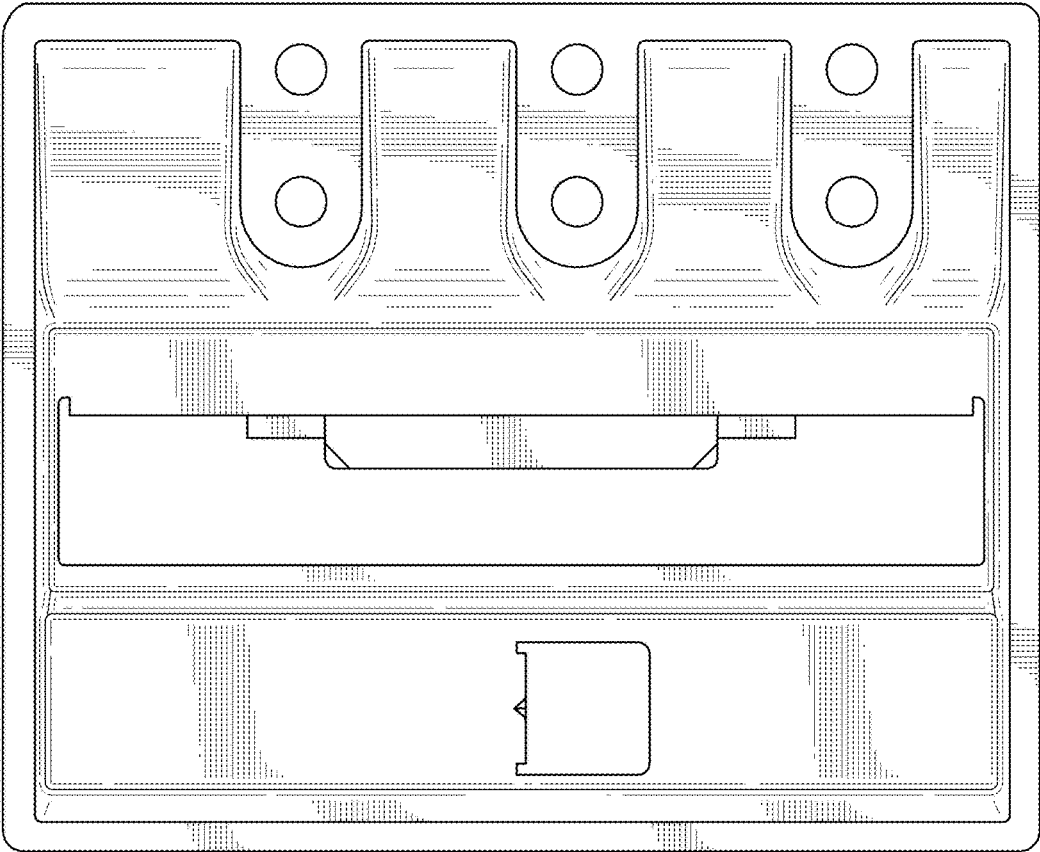


FIG.2

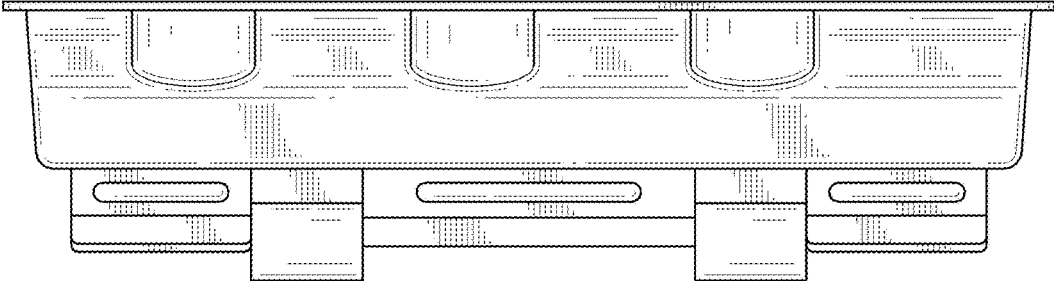


FIG.3

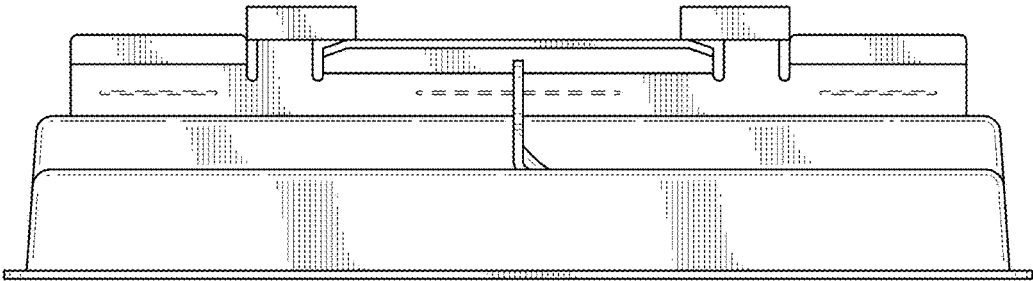


FIG.4

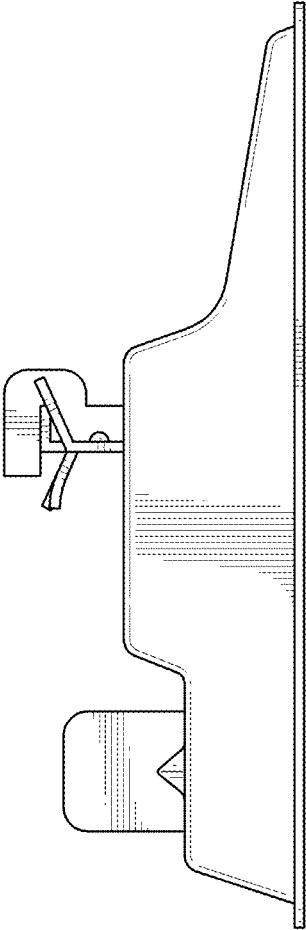


FIG.5

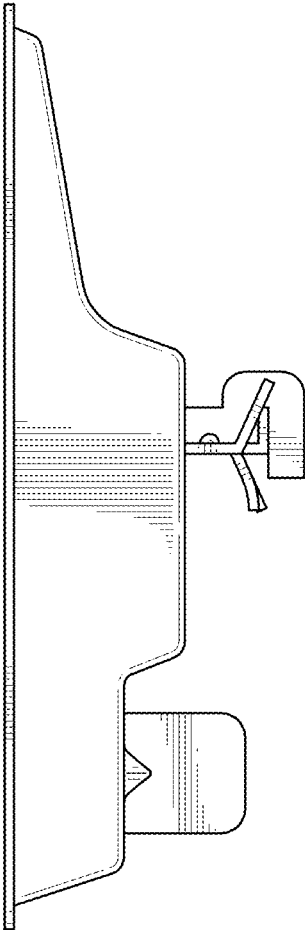


FIG.6

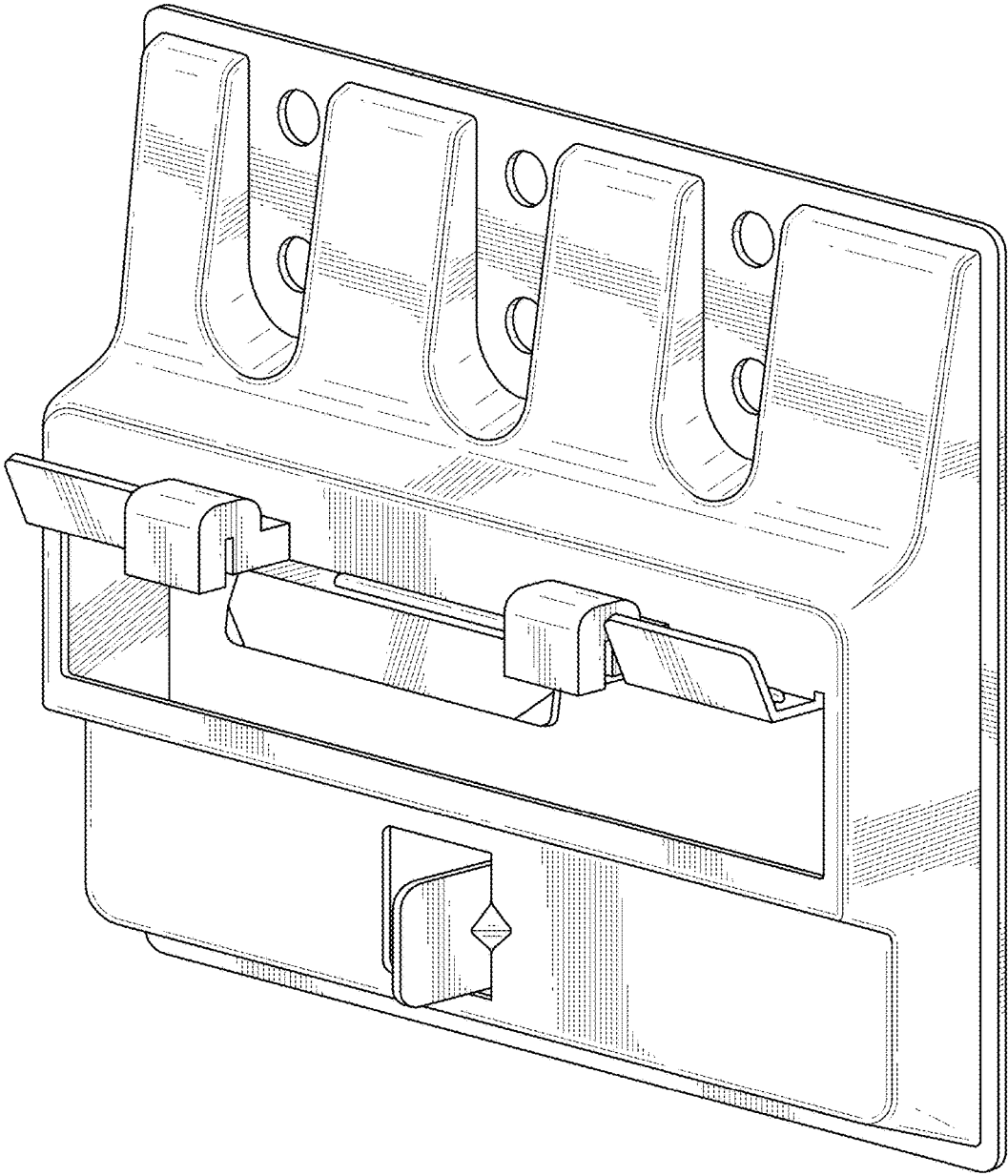


FIG.7