



US00D712877S

(12) **United States Design Patent**
Ko

(10) **Patent No.:** **US D712,877 S**

(45) **Date of Patent:** **** Sep. 9, 2014**

(54) **SPEAKER**

(75) Inventor: **Chun-Hsiang Ko**, New Taipei (TW)

(73) Assignee: **Alljack Co., Ltd.**, New Taipei (TW)

(**) Term: **14 Years**

(21) Appl. No.: **29/427,766**

(22) Filed: **Jul. 23, 2012**

(51) **LOC (10) Cl.** **14-01**

(52) **U.S. Cl.**

USPC **D14/211**

(58) **Field of Classification Search**

USPC D13/103; D14/135, 137, 155, 158, 160,
D14/161, 168, 181, 188, 191, 193-198,
D14/203.6, 204, 209, 209.1, 210, 211, 215,
D14/216, 257, 258, 314, 353, 354, 358, 440,
D14/441, 498, 509; D26/26, 28, 60-62, 72,
D26/73, 93, 94, 97, 118, 124; 181/144, 145,
181/147, 148, 150; 381/300, 361, 363

See application file for complete search history.

(56) **References Cited**

U.S. PATENT DOCUMENTS

3,638,753 A * 2/1972 Cunningham 181/153
D432,116 S * 10/2000 Ichikawa et al. D14/211
D459,505 S * 6/2002 Horowitz D26/28
D473,858 S * 4/2003 Solland D14/211

D476,309 S * 6/2003 Narita D14/211
D481,474 S * 10/2003 Yang D26/28
D488,147 S * 4/2004 Solland D14/211
D536,693 S * 2/2007 Komiyama D14/211
D611,453 S * 3/2010 Park et al. D14/211
D623,325 S * 9/2010 Huang D26/62
D652,018 S * 1/2012 Weedon et al. D14/211

* cited by examiner

Primary Examiner — Stella Reid

Assistant Examiner — Janice Lim

(74) *Attorney, Agent, or Firm* — Chun-Ming Chih; HDLS
IPR Services

(57) **CLAIM**

The ornamental design for a speaker, as shown and described.

DESCRIPTION

FIG. 1 is a front perspective view of a speaker, showing my
new design;

FIG. 2 is a front view thereof;

FIG. 3 is a rear view thereof;

FIG. 4 is a left side view thereof;

FIG. 5 is a right side view thereof;

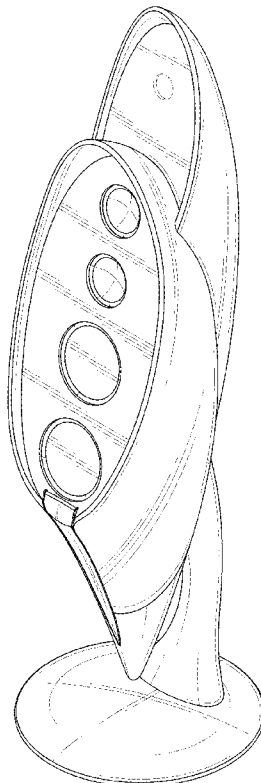
FIG. 6 is a top view thereof;

FIG. 7 is a bottom view thereof; and,

FIG. 8 is a rear perspective view thereof.

The broken line portions of FIGS. 1, 2, and 6 are included to
show unclaimed subject matter only and forms no part of the
claimed design.

1 Claim, 7 Drawing Sheets



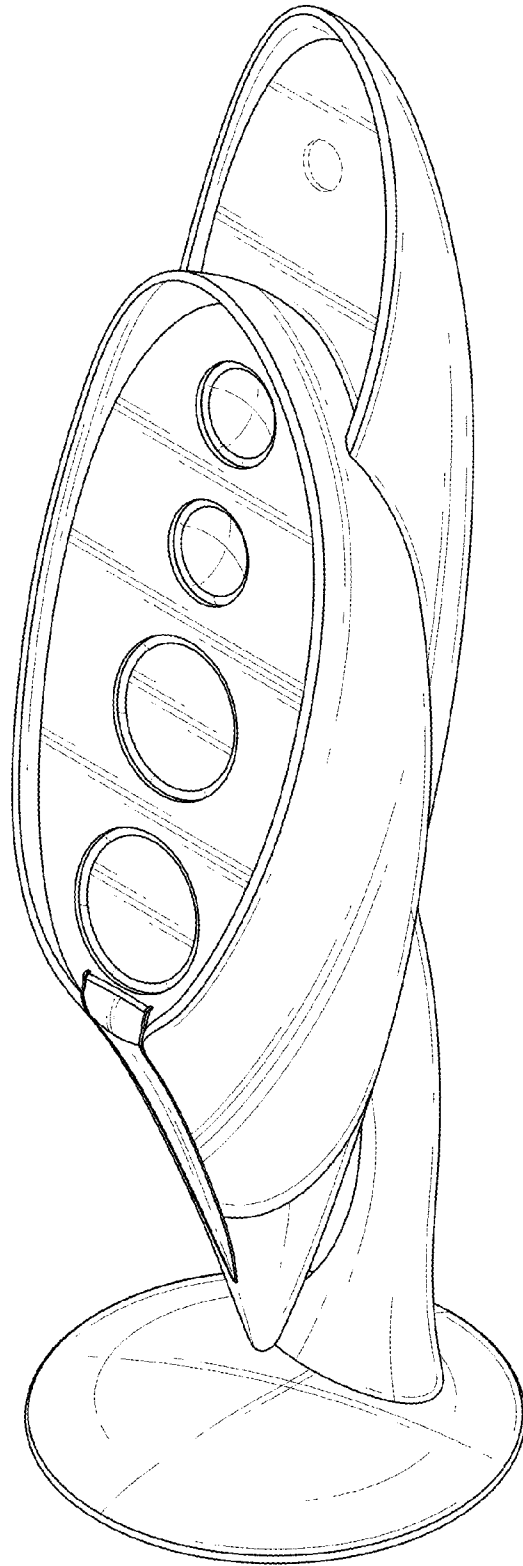


FIG.1

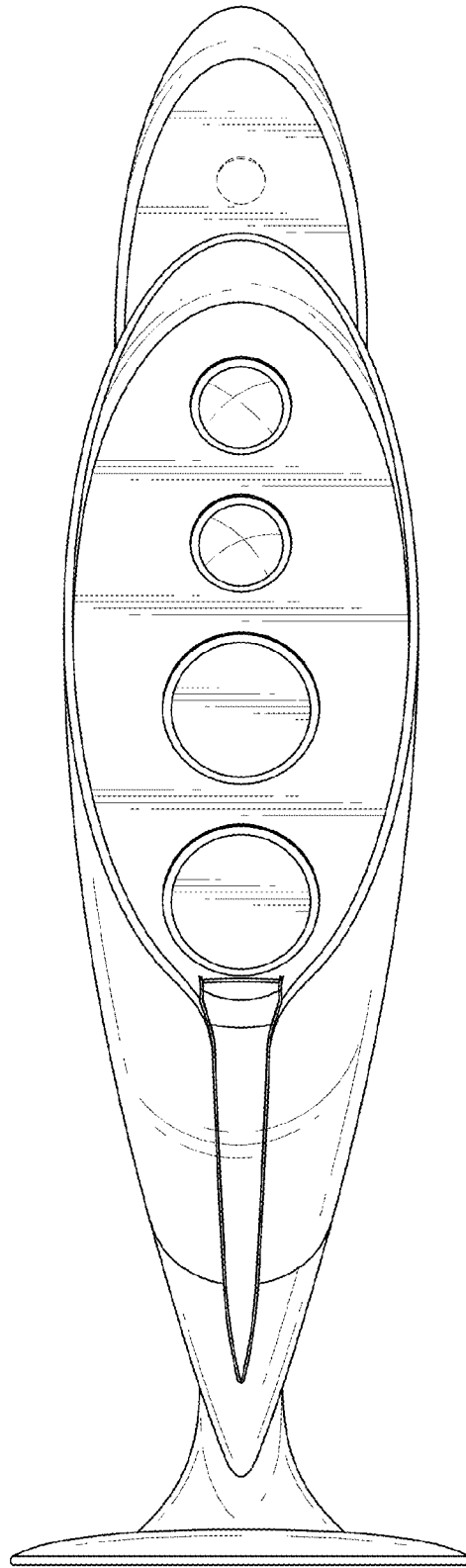


FIG.2

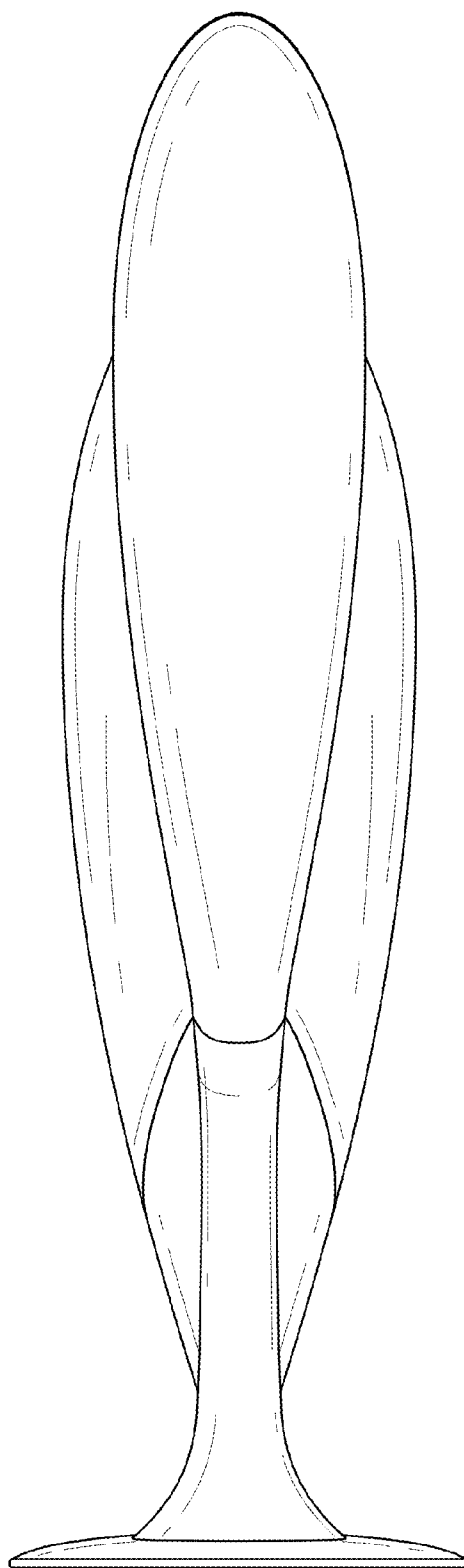


FIG.3

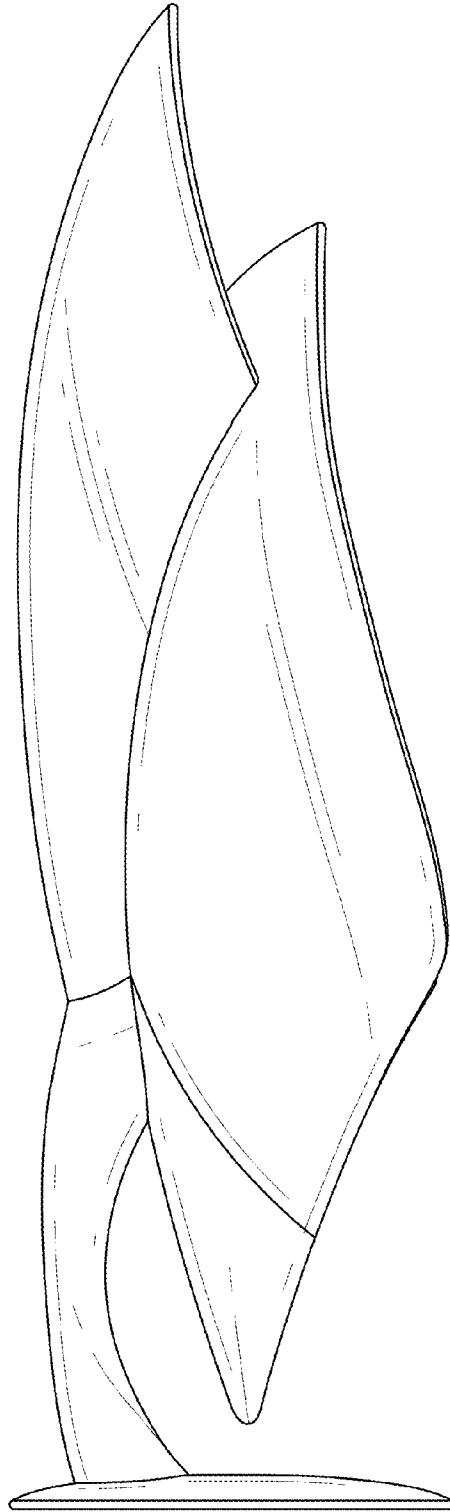


FIG.4

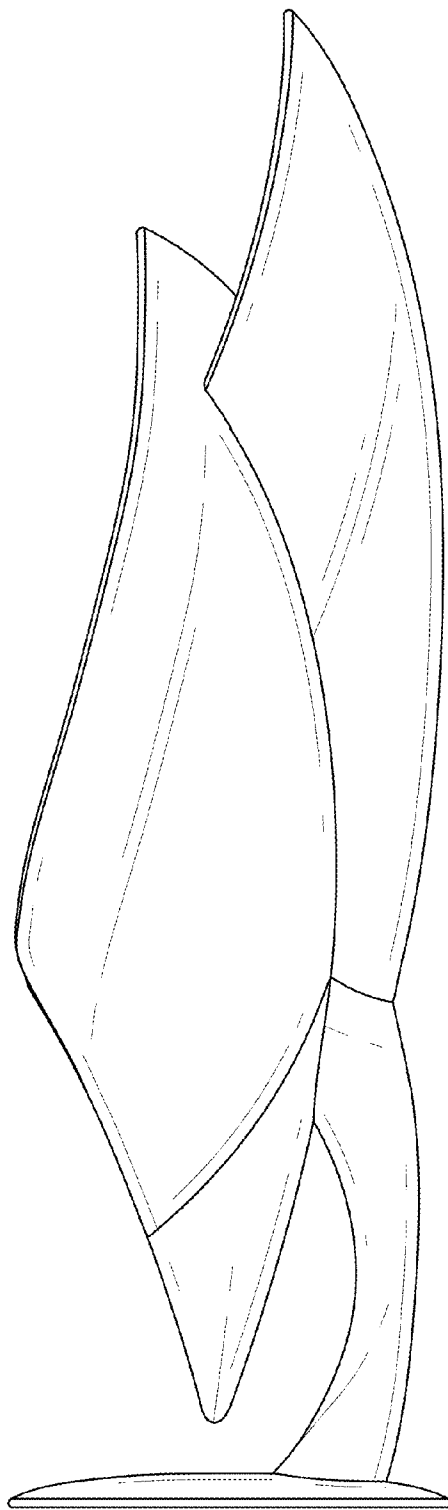


FIG. 5

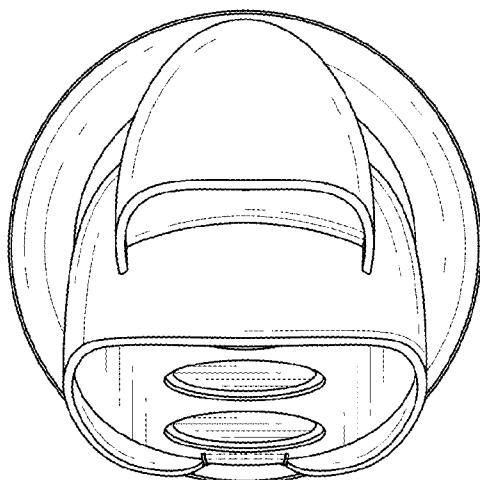


FIG. 6

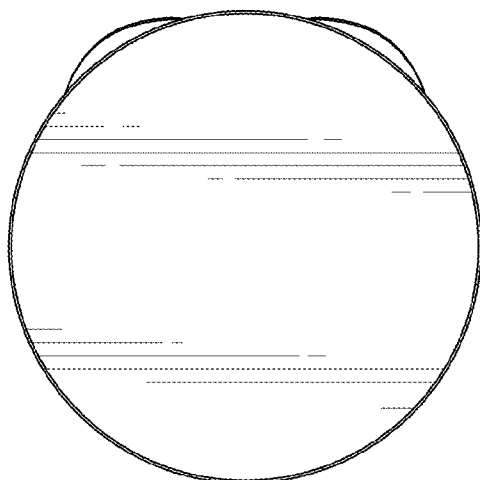


FIG. 7

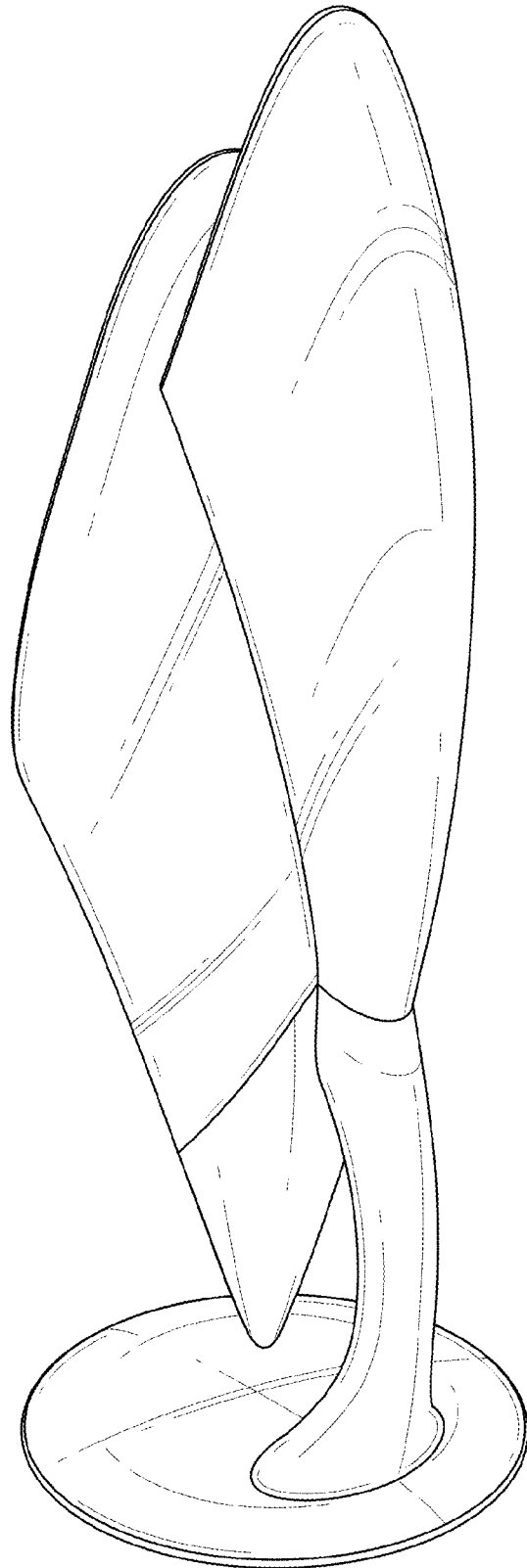


FIG.8