



US0D1027124S

(12) **United States Design Patent**
Xu

(10) **Patent No.:** **US D1,027,124 S**

(45) **Date of Patent:** **** May 14, 2024**

(54) **FAUCET**

(71) Applicant: **Weiyuan Xu**, Kaiping (CN)

(72) Inventor: **Weiyuan Xu**, Kaiping (CN)

(**) Term: **15 Years**

(21) Appl. No.: **29/848,014**

(22) Filed: **Jul. 29, 2022**

(30) **Foreign Application Priority Data**

Jul. 5, 2022 (CN) 202230421941.8

(51) **LOC (14) Cl.** **23-01**

(52) **U.S. Cl.**
USPC **D23/238**

(58) **Field of Classification Search**
USPC D23/238, 241-242, 249-250, 252, 255,
D23/257; D8/307-308
CPC . E03C 1/0404; E03C 1/02; E03C 1/04; E03C
1/0412; E03C 2001/0415; E03C
2001/0414; F16K 11/207; F16K 19/006;
F16K 11/205

See application file for complete search history.

(56) **References Cited**

U.S. PATENT DOCUMENTS

| | | | | | |
|-----------|------|--------|--------|-------|-------------|
| 9,551,136 | B2 * | 1/2017 | Keiter | | E03C 1/0404 |
| D855,766 | S * | 8/2019 | Seum | | D23/238 |
| D857,844 | S * | 8/2019 | Levi | | D23/238 |
| D912,778 | S * | 3/2021 | Huang | | D23/238 |
| D913,438 | S * | 3/2021 | Levi | | D23/238 |
| D914,143 | S * | 3/2021 | Levi | | D23/238 |
| D914,842 | S * | 3/2021 | Zhang | | D23/226 |
| D924,372 | S * | 7/2021 | Flaig | | D23/249 |
| D927,647 | S * | 8/2021 | Liang | | D23/238 |
| D931,416 | S * | 9/2021 | Chen | | D23/238 |

| | | | | | |
|--------------|------|---------|----------|-------|------------------------|
| D946,119 | S * | 3/2022 | Levi | | D23/238 |
| D968,572 | S * | 11/2022 | Wang | | D23/241 |
| 2014/0290775 | A1 * | 10/2014 | Lefebvre | | E03C 1/0404 137/801 |

OTHER PUBLICATIONS

Spiro Single-Hole Dual Handle Kitchen Faucet With Pull-Down Spring Spout. https://signaturefaucets.com/products/spiro-single-hole-dual-handle-kitchen-faucet-with-pull-down-spring-spout?variant=34786171420838¤cy=USD&utm_medium=product_sync&utm_source=google&utm_content=sag_organic&utm_campaign=sag (Year: 2024).*

* cited by examiner

Primary Examiner — Robert A Delehanty
(74) *Attorney, Agent, or Firm* — Jeenam Park

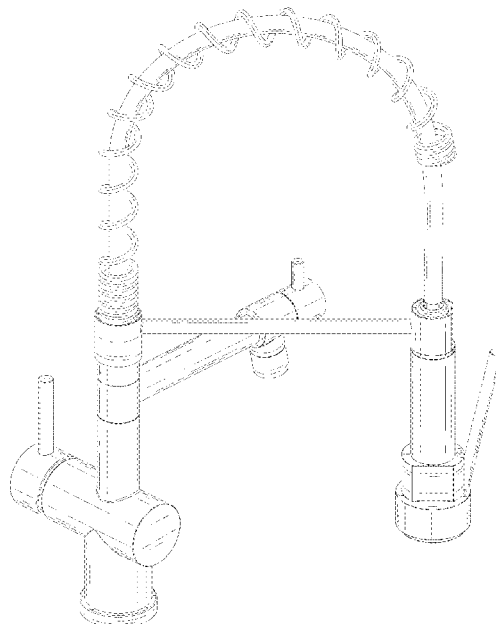
(57) **CLAIM**

The ornamental design for a faucet, as shown and described.

DESCRIPTION

FIG. 1 is a perspective view of a faucet, showing my new design;
FIG. 2 is another perspective view thereof;
FIG. 3 is a perspective view in the using configuration thereof;
FIG. 4 is a front view thereof;
FIG. 5 is a rear view thereof;
FIG. 6 is a left side view thereof;
FIG. 7 is a right side view thereof;
FIG. 8 is a top plan view thereof; and
FIG. 9 is a bottom plan view thereof.
FIG. 10 is an enlarged view of portion of FIG. 2 thereof; and,
FIG. 11 is an enlarged view of portion of FIG. 2 thereof.
The broken lines shown in the drawings illustrate portions of the faucet that form no part of the claimed design.

1 Claim, 11 Drawing Sheets



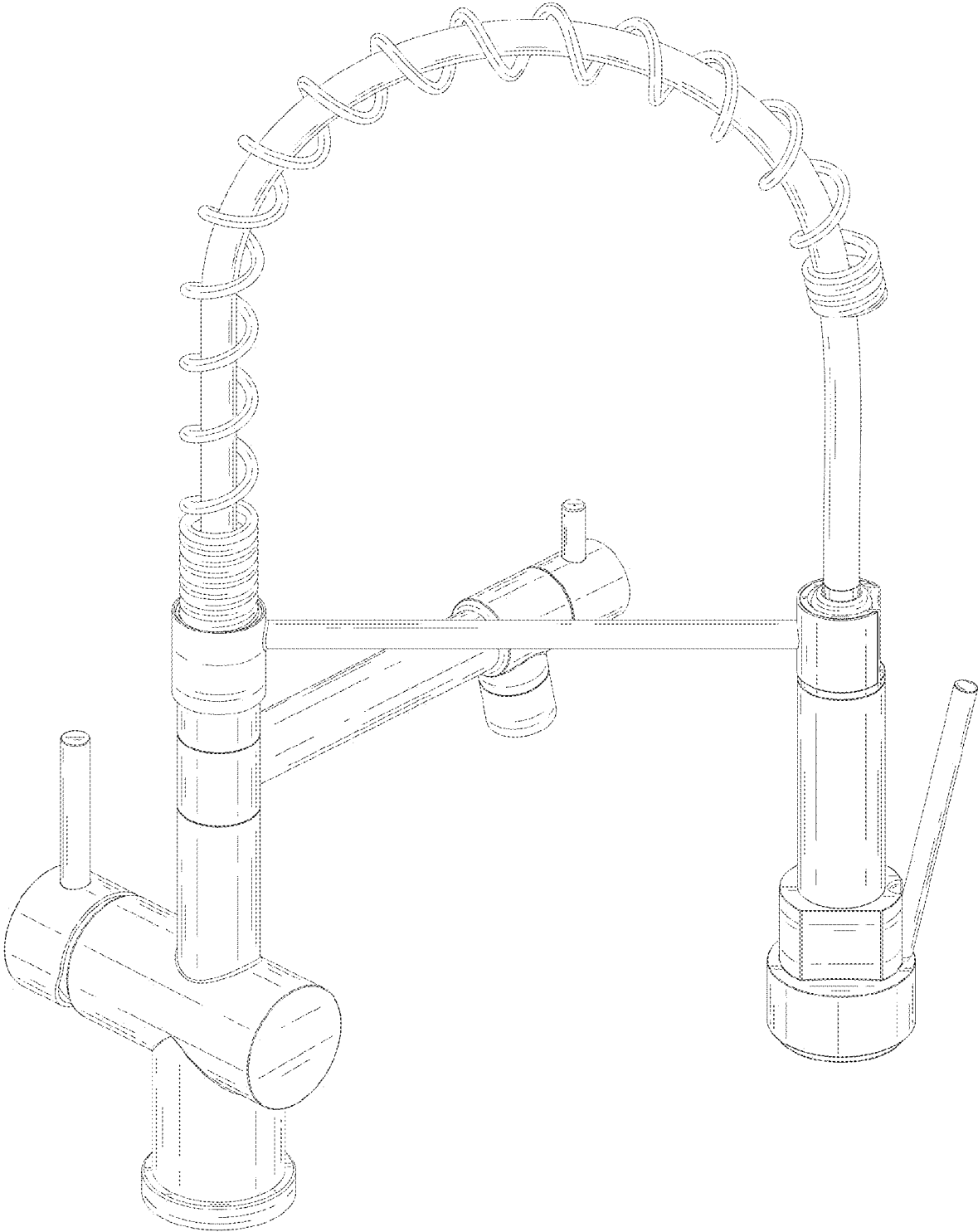


FIG. 1

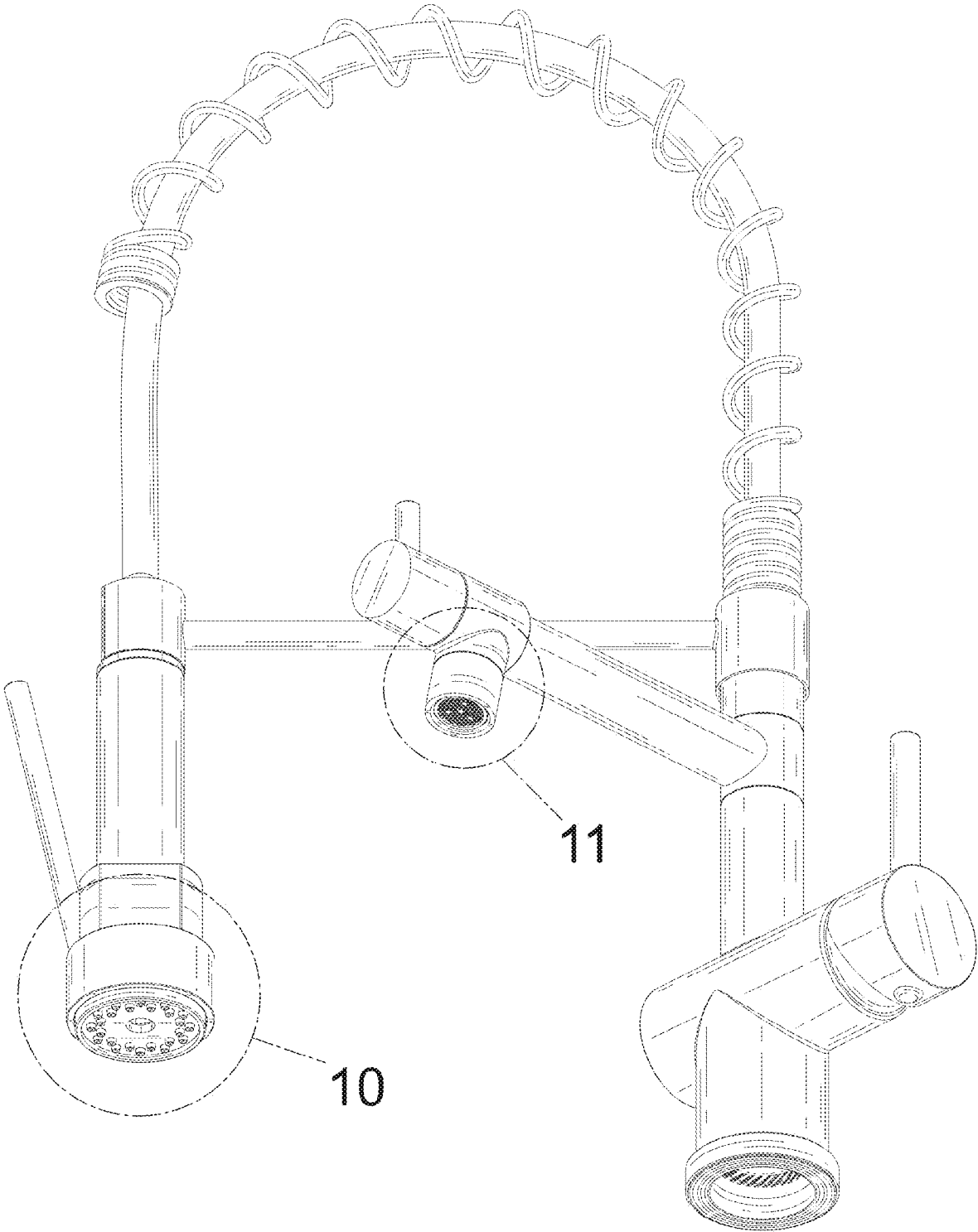


FIG. 2

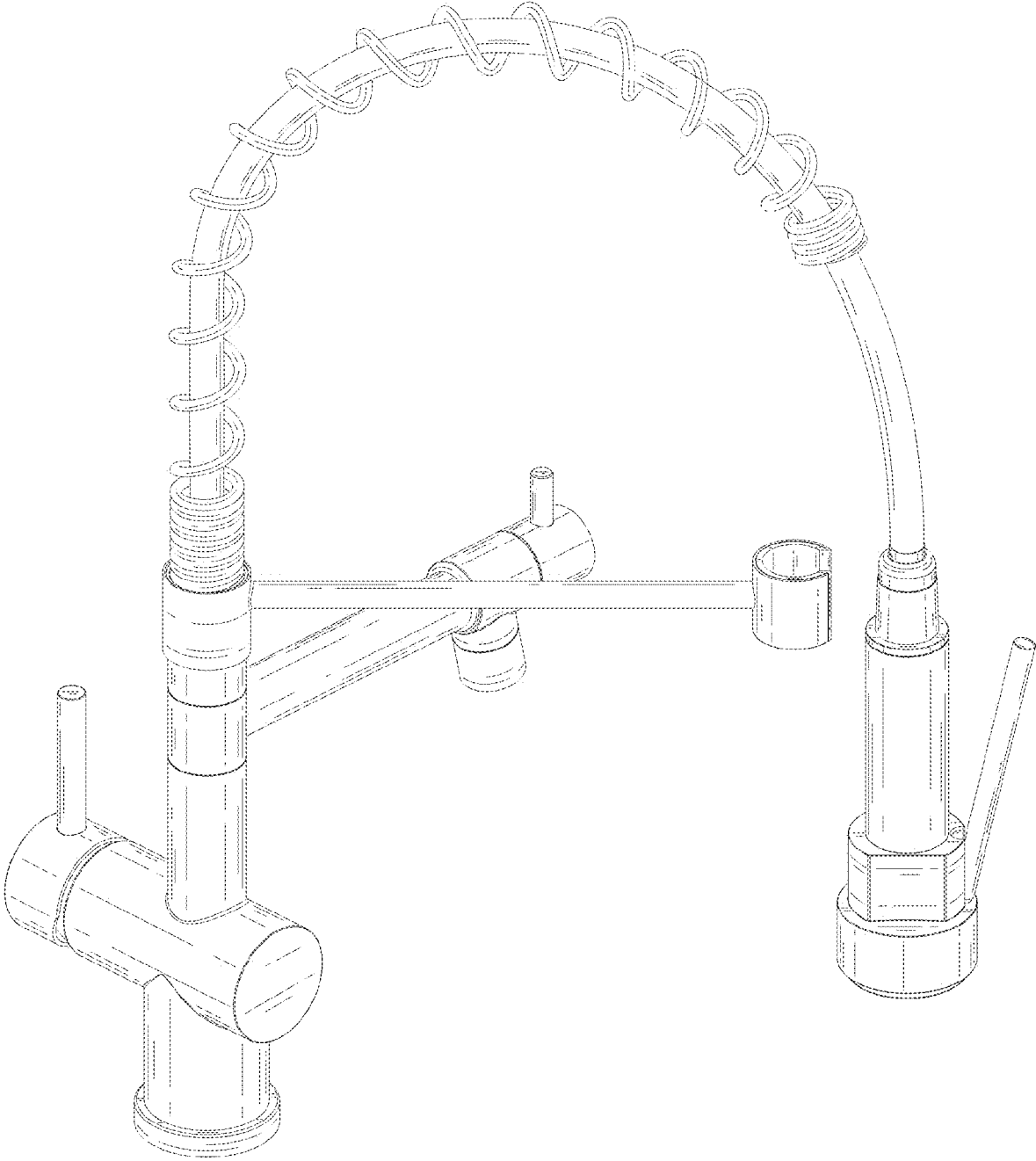


FIG. 3

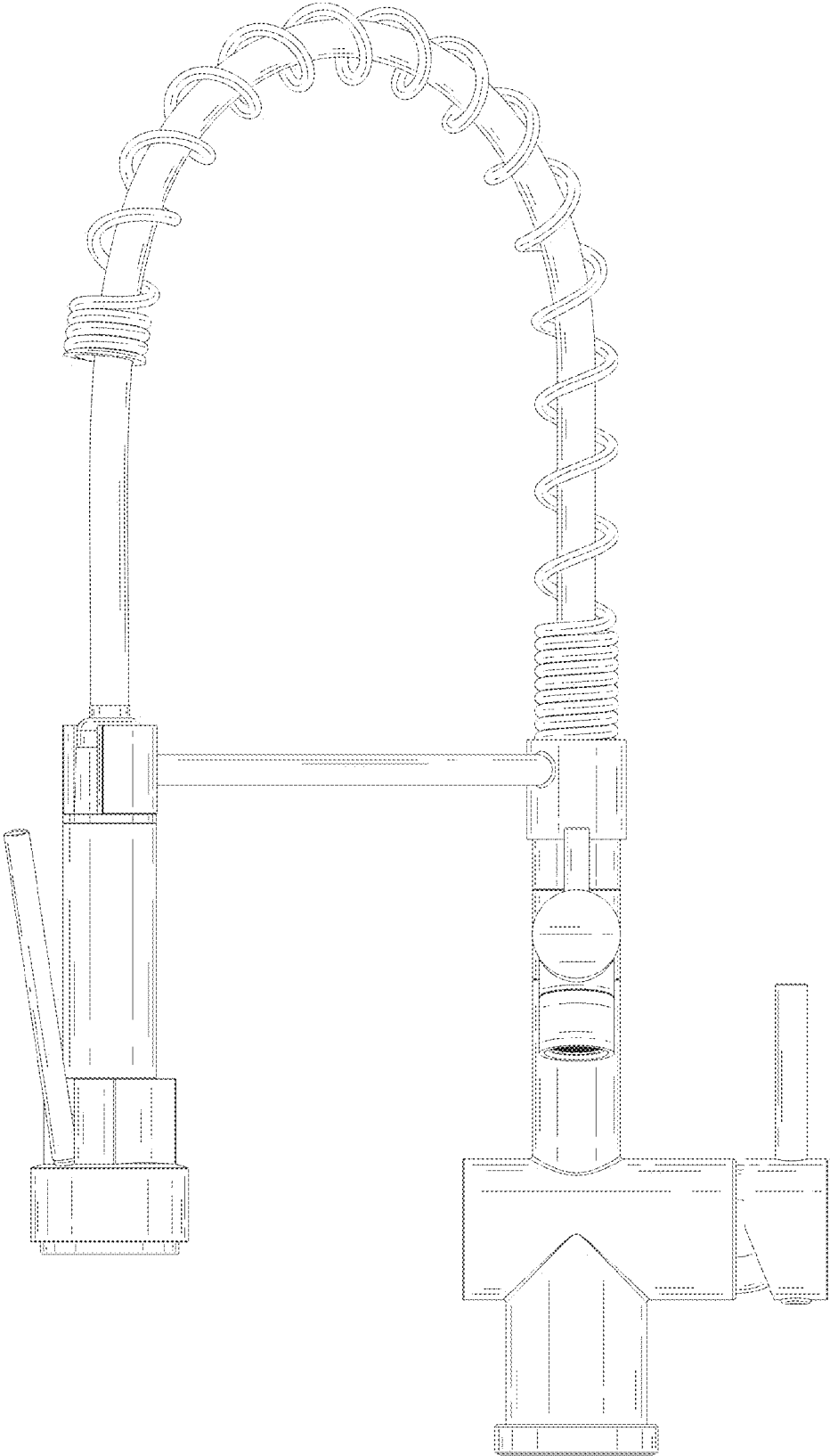


FIG. 4

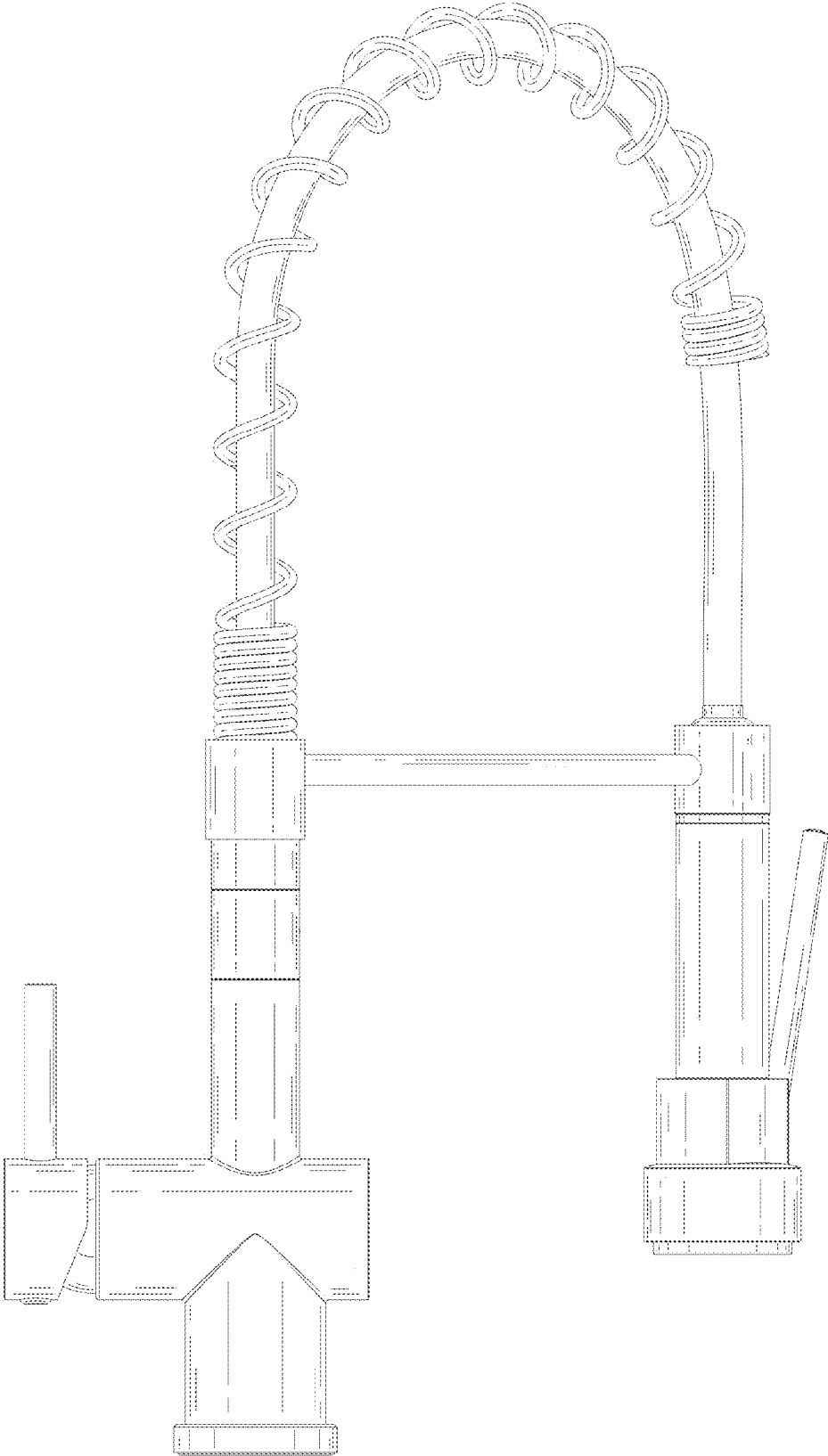


FIG. 5

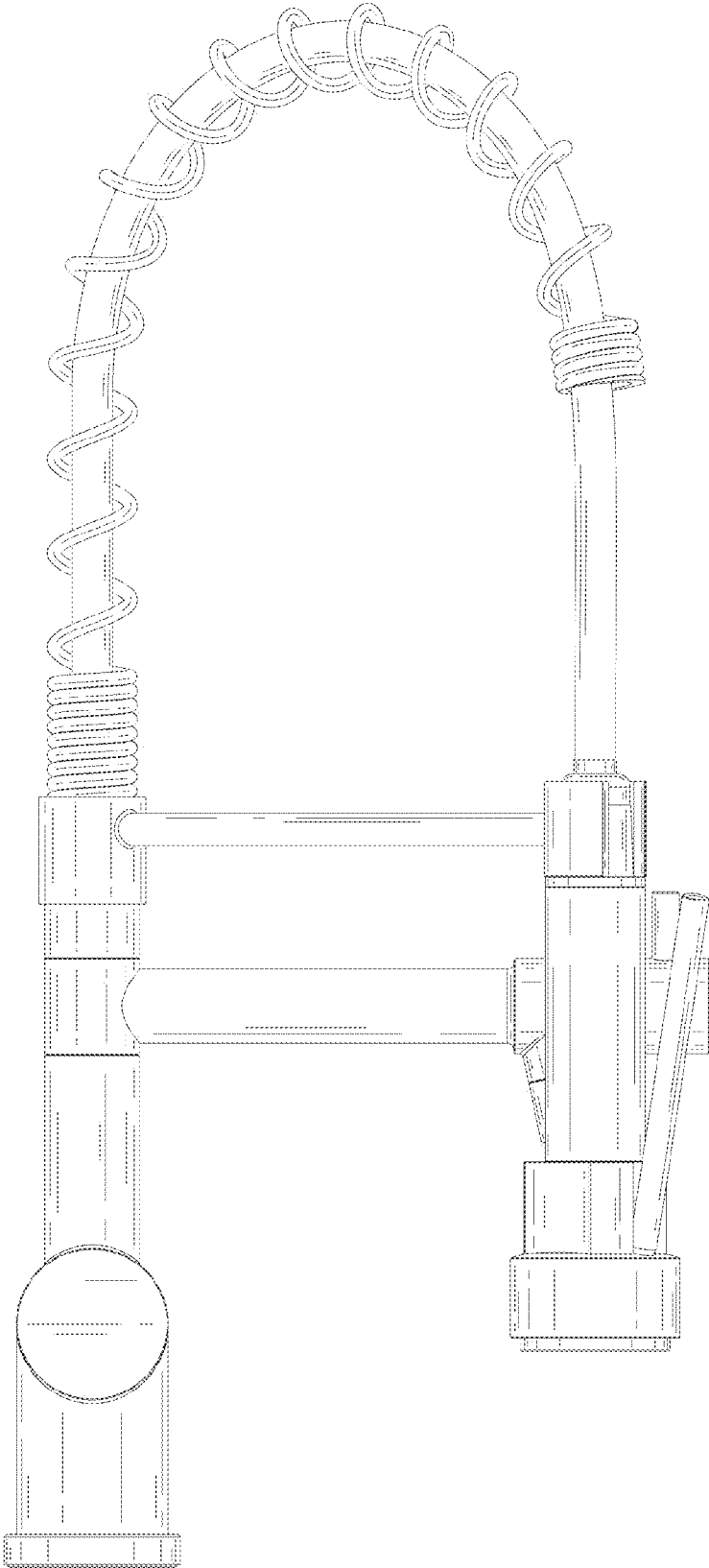


FIG. 6

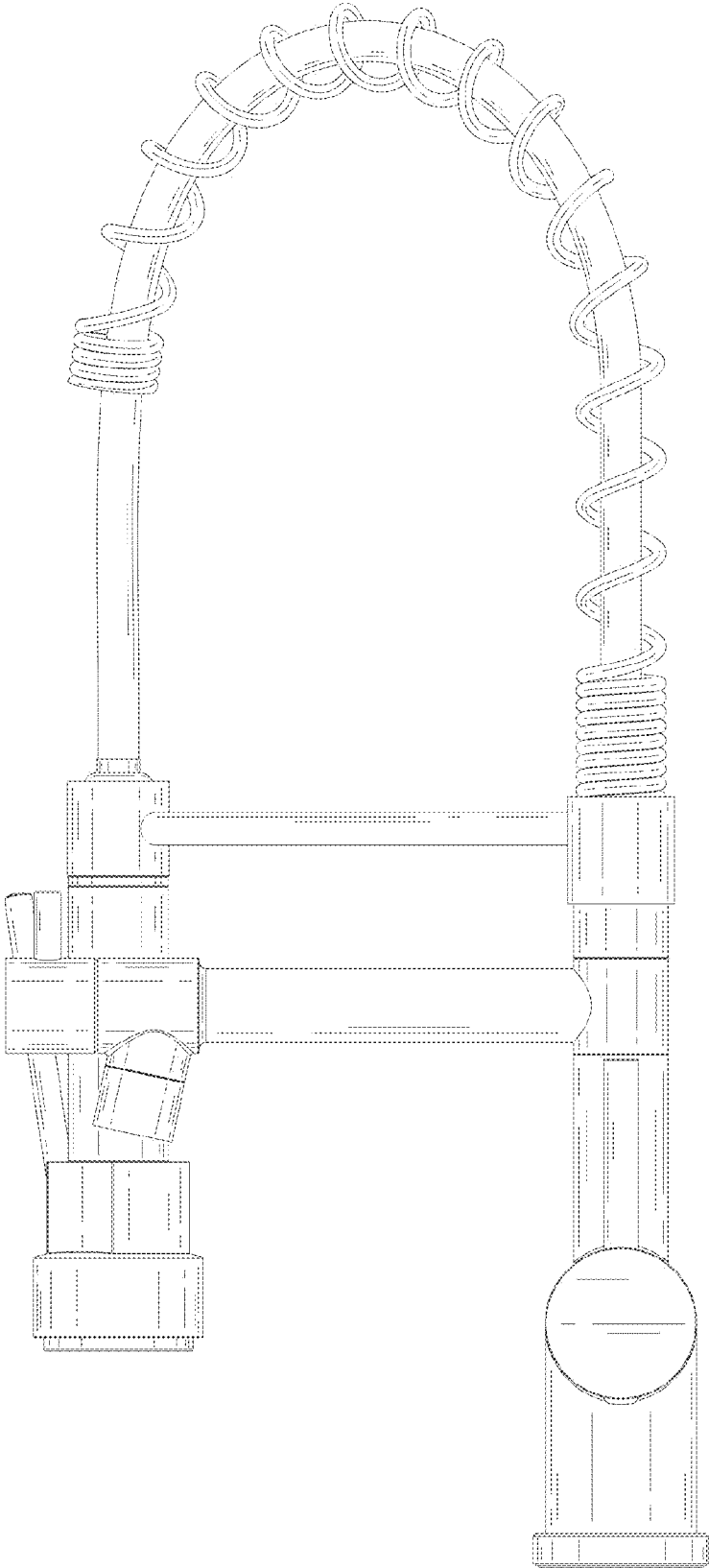


FIG. 7

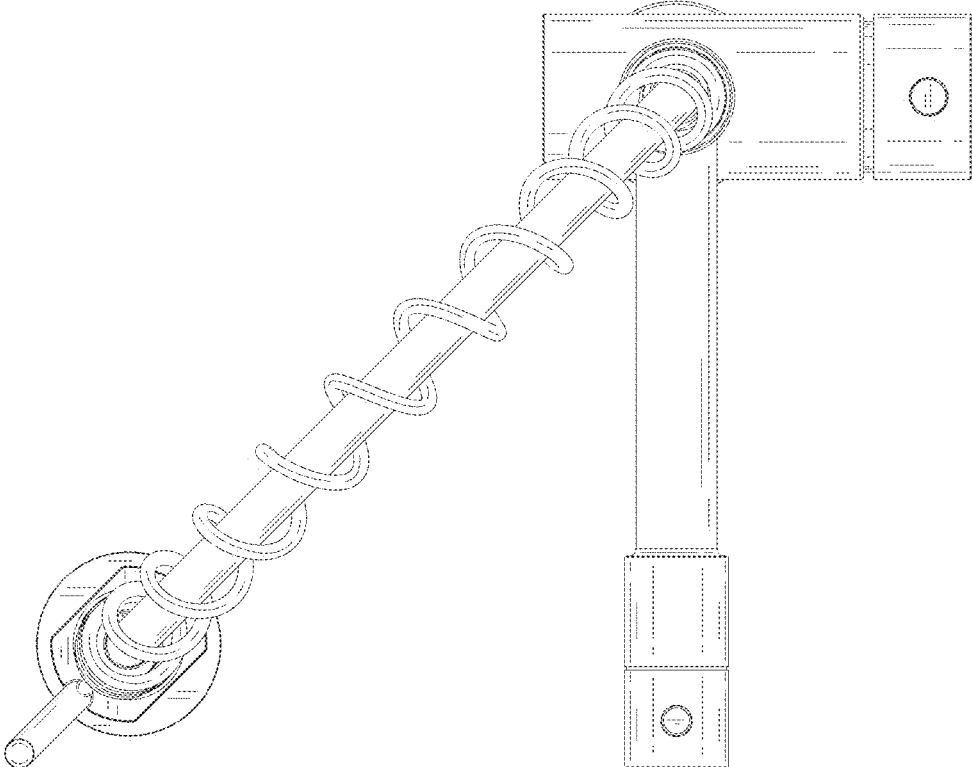


FIG. 8

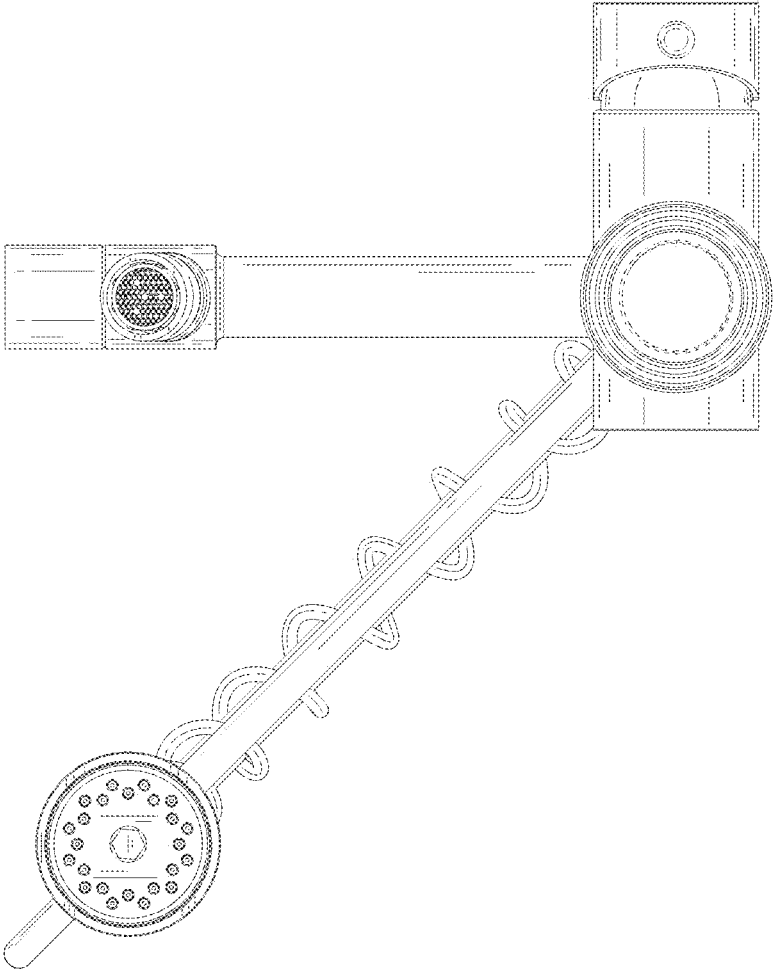


FIG. 9

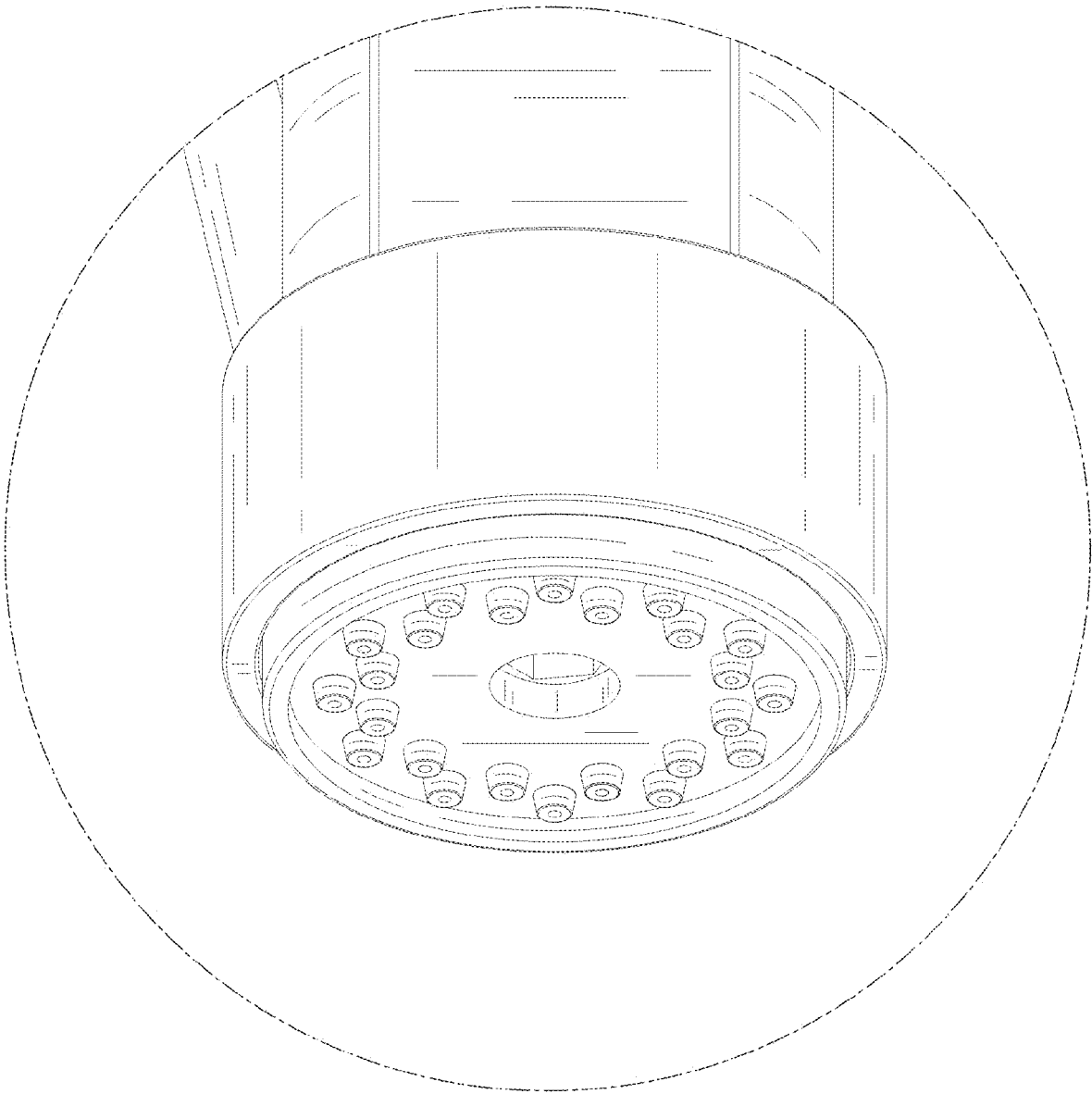


FIG. 10

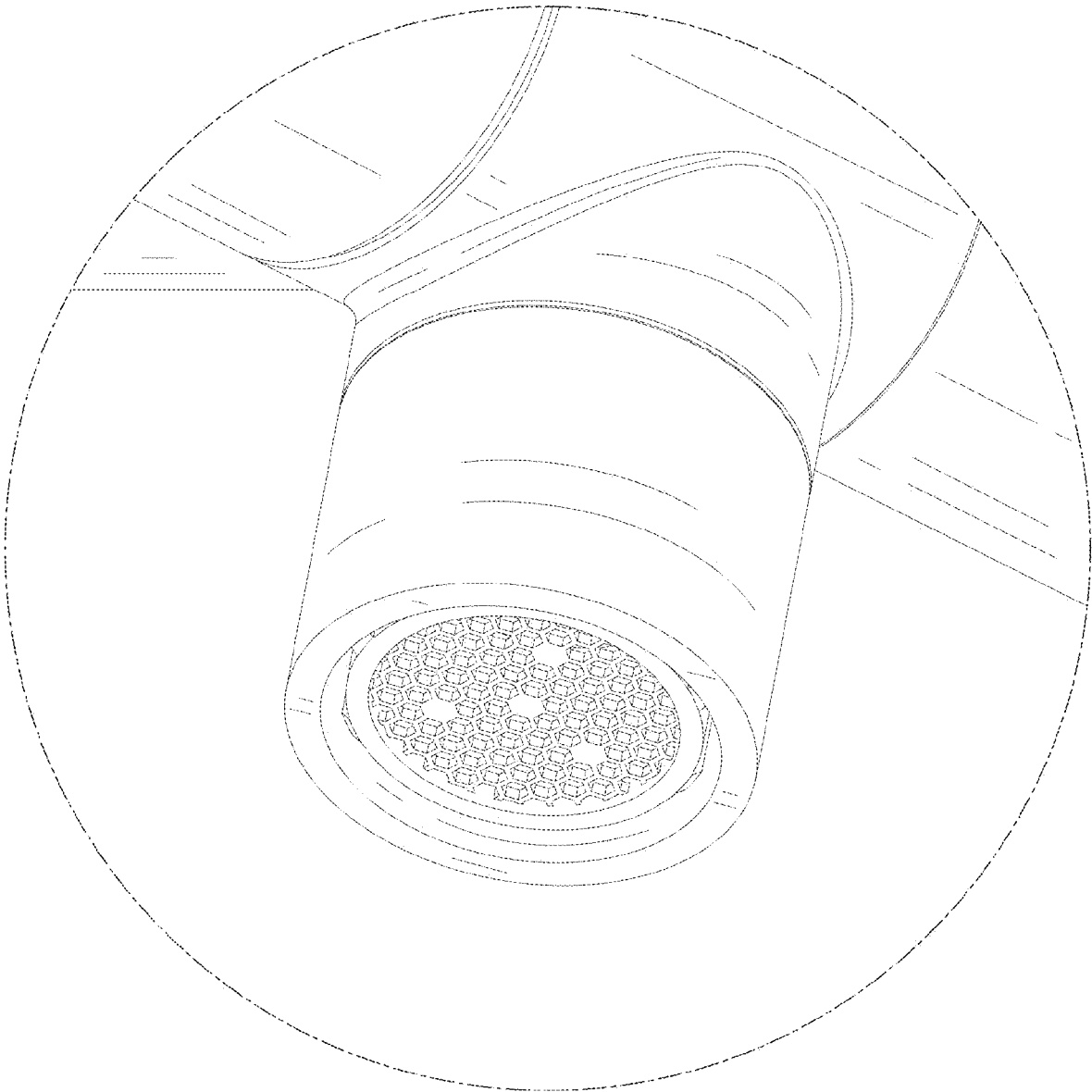


FIG. 11