



US00D718909S

(12) **United States Design Patent**  
**Svantesson**

(10) **Patent No.:** **US D718,909 S**

(45) **Date of Patent:** **\*\* Dec. 2, 2014**

- (54) **VACUUM CLEANER**
- (71) Applicant: **Aktiebolaget Electrolux**, Stockholm (SE)
- (72) Inventor: **Esbjorn Svantesson**, Taby (SE)
- (73) Assignee: **Aktiebolaget Electrolux**, Stockholm (SE)

D554,308	S	*	10/2007	Shin	.....	D32/21
D556,962	S	*	12/2007	Choi et al.	.....	D32/21
D565,813	S	*	4/2008	Shin	.....	D32/21
D581,112	S	*	11/2008	Baek	.....	D32/21
D594,162	S	*	6/2009	Knox et al.	.....	D32/21
D594,609	S	*	6/2009	Dyson et al.	.....	D32/21
D600,415	S	*	9/2009	Svantesson	.....	D32/21
7,721,385	B2	*	5/2010	Genn et al.	.....	15/347
D620,654	S	*	7/2010	Kim	.....	D32/21
D647,264	S	*	10/2011	Luebbering et al.	.....	D32/31
2006/0213023	A1	*	9/2006	Hare et al.	.....	15/327.2

(\*\*) Term: **14 Years**

\* cited by examiner

(21) Appl. No.: **29/450,257**

*Primary Examiner* — Ruth McInroy

(22) Filed: **Mar. 15, 2013**

(74) *Attorney, Agent, or Firm* — Banner & Witcoff, Ltd.

(30) **Foreign Application Priority Data**

Sep. 18, 2012 (EM) ..... 002105353

(51) **LOC (10) Cl.** ..... **15-05**

(52) **U.S. Cl.**  
USPC ..... **D32/21**

(58) **Field of Classification Search**  
USPC ..... D32/21, 23, 24, 30, 31; 55/378, 337,  
55/447, 345, DIG. 3, 349, 429, 459.1, 395;  
15/327.1, 327.2, 327.4, 327.6, 327.7,  
15/347, 353, 337, 411

See application file for complete search history.

(56) **References Cited**

**U.S. PATENT DOCUMENTS**

D505,761	S	*	5/2005	Gammack et al.	.....	D32/21
D553,311	S	*	10/2007	Shin	.....	D32/21

(57) **CLAIM**

The ornamental design for a vacuum cleaner, as shown and described.

**DESCRIPTION**

FIG. 1 is a perspective view of a vacuum cleaner showing my new design;

FIG. 2 is a front view thereof;

FIG. 3 is a left side view thereof;

FIG. 4 is a top plan view thereof;

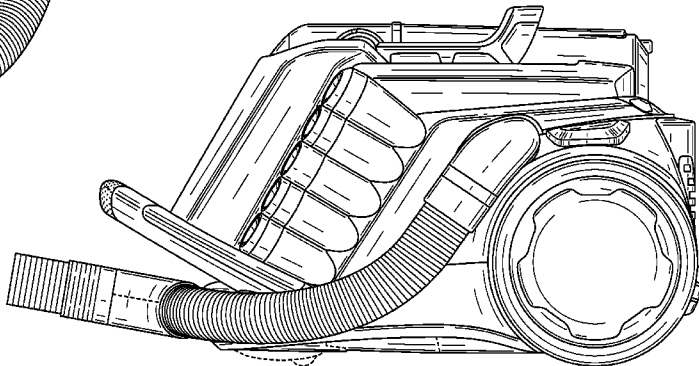
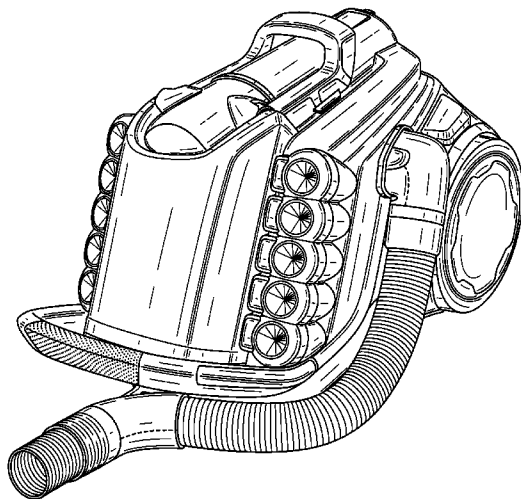
FIG. 5 is a right side view thereof;

FIG. 6 is a rear view thereof; and,

FIG. 7 is a bottom plan view thereof.

The broken line showing of the seam in the hose, features on the bottom surface and the trapezoidal region on the rear surface is for environmental purposes only and forms no part of the claimed design.

**1 Claim, 7 Drawing Sheets**



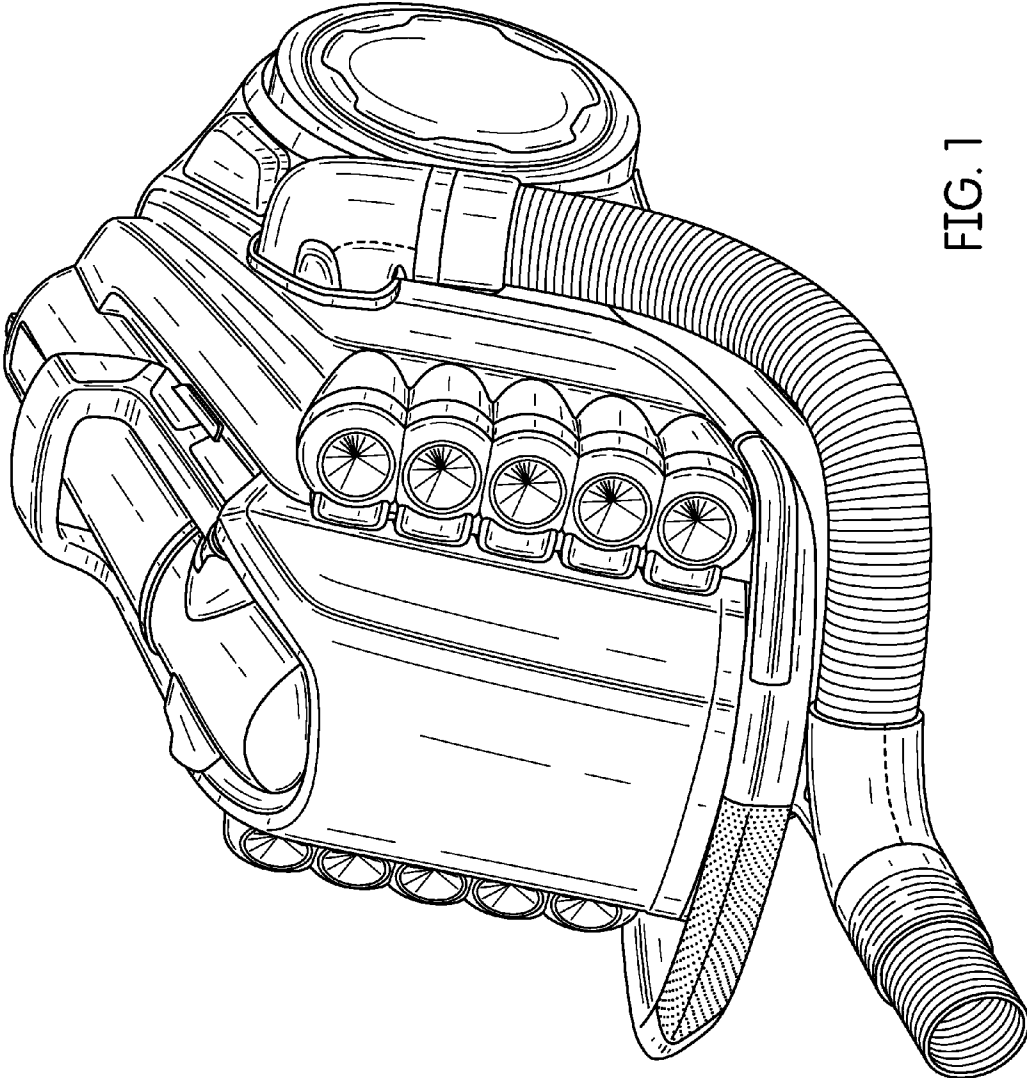


FIG. 1

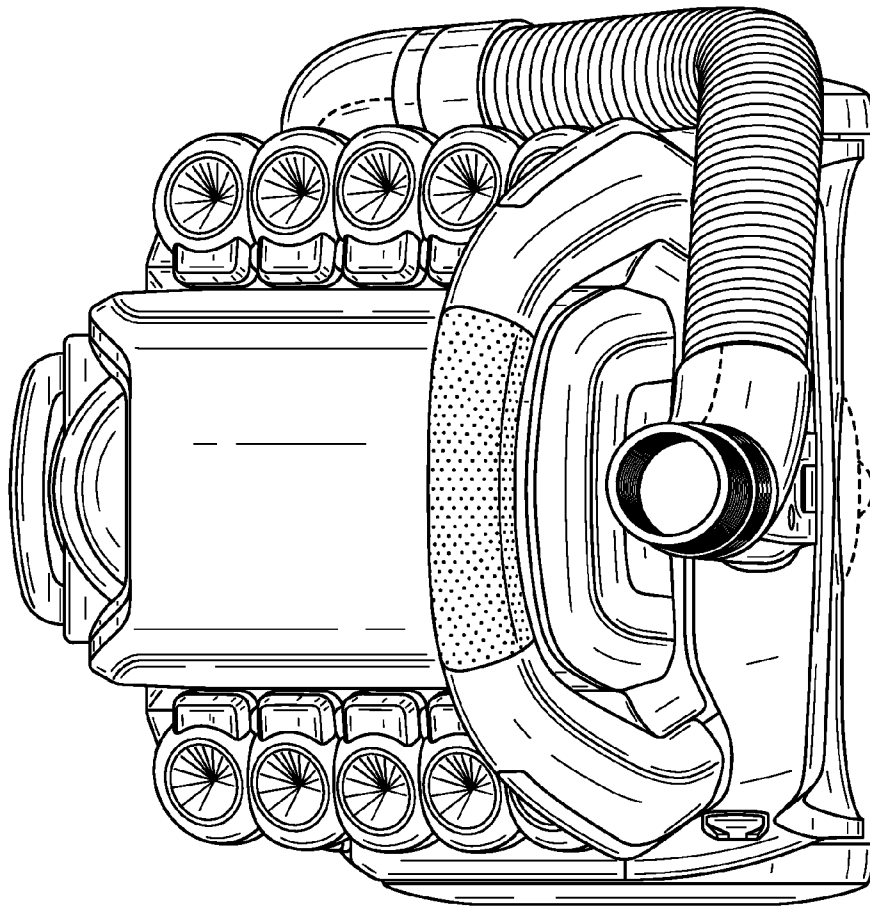


FIG. 2

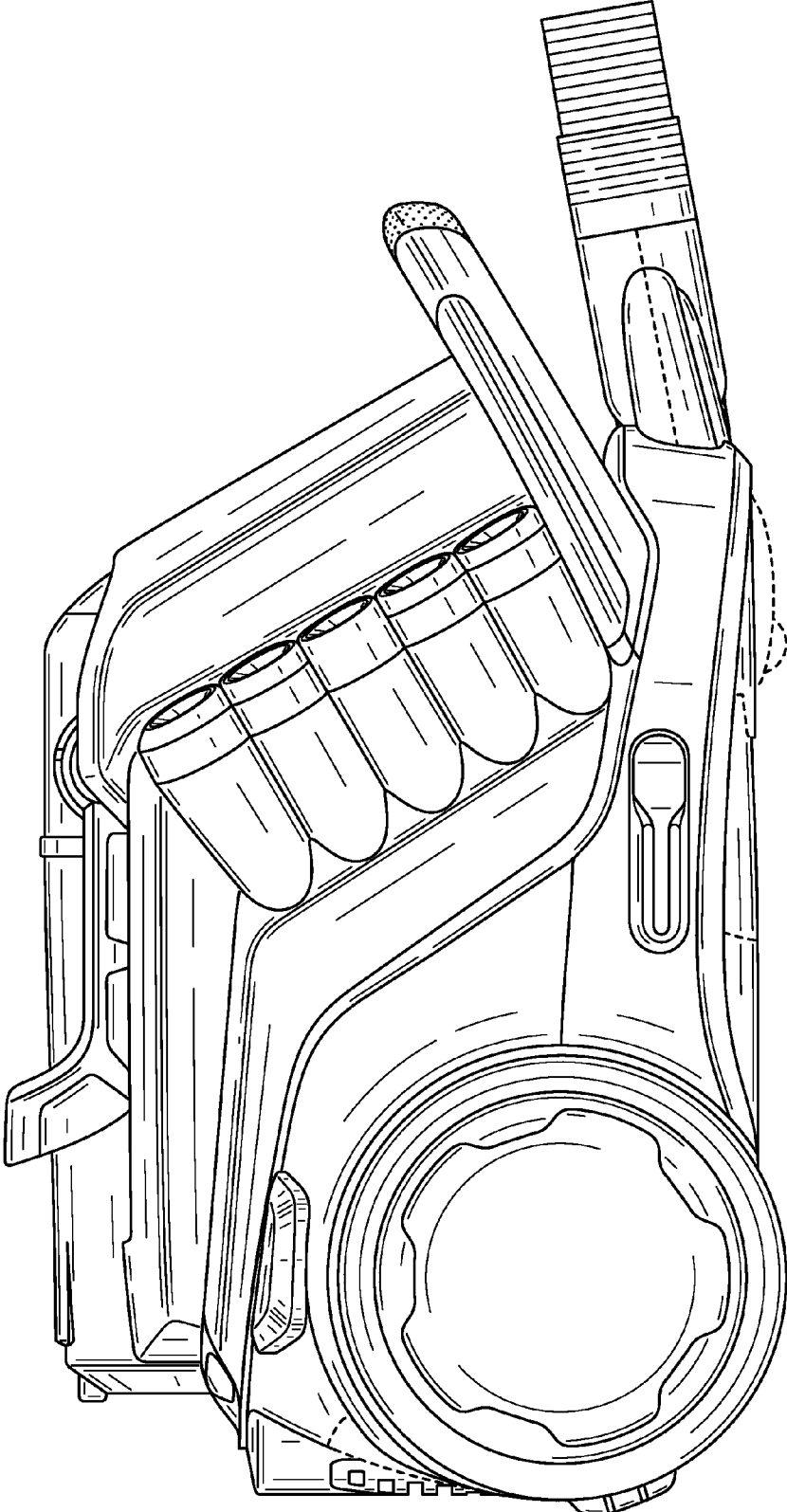


FIG. 3

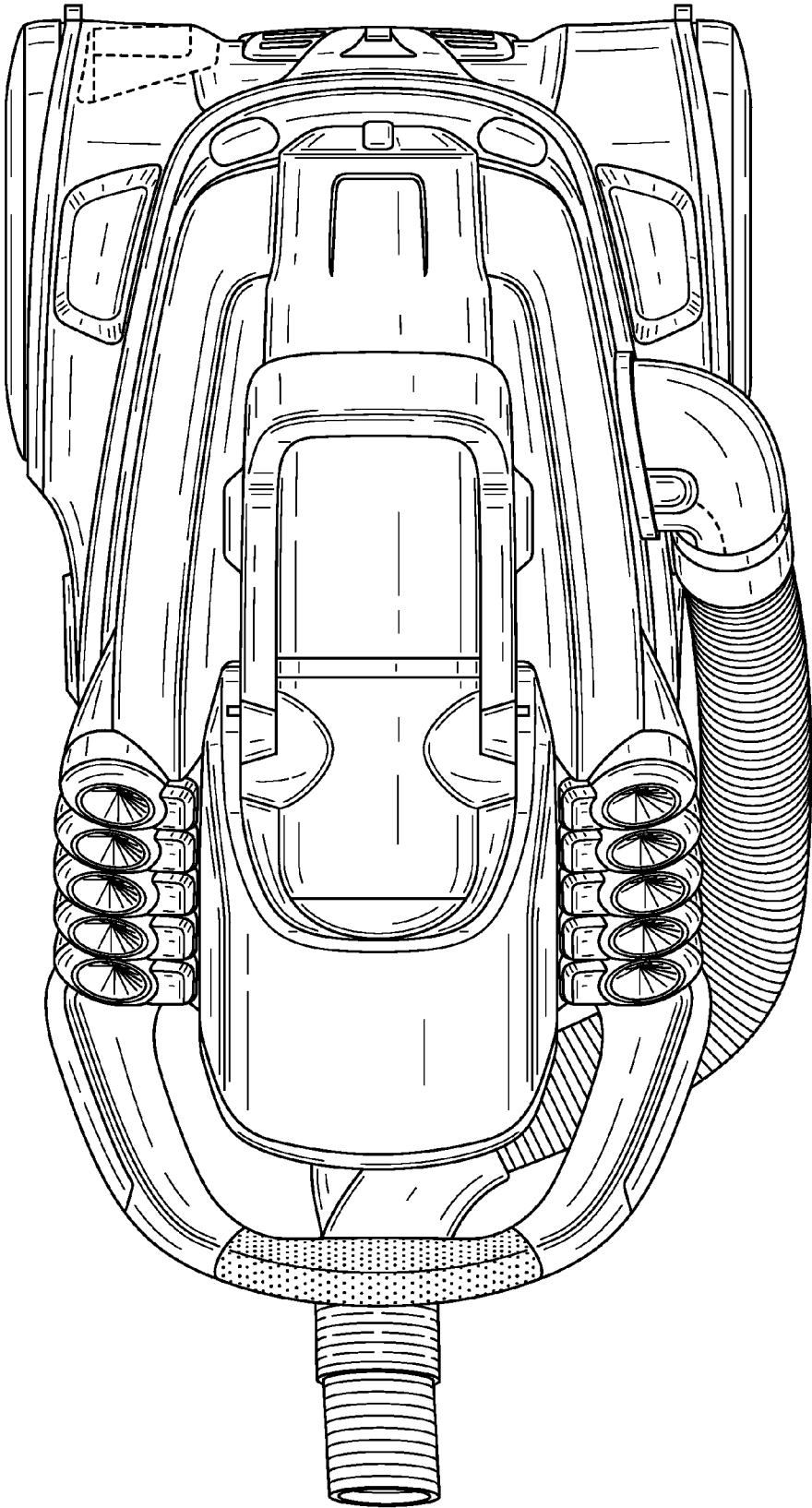


FIG. 4

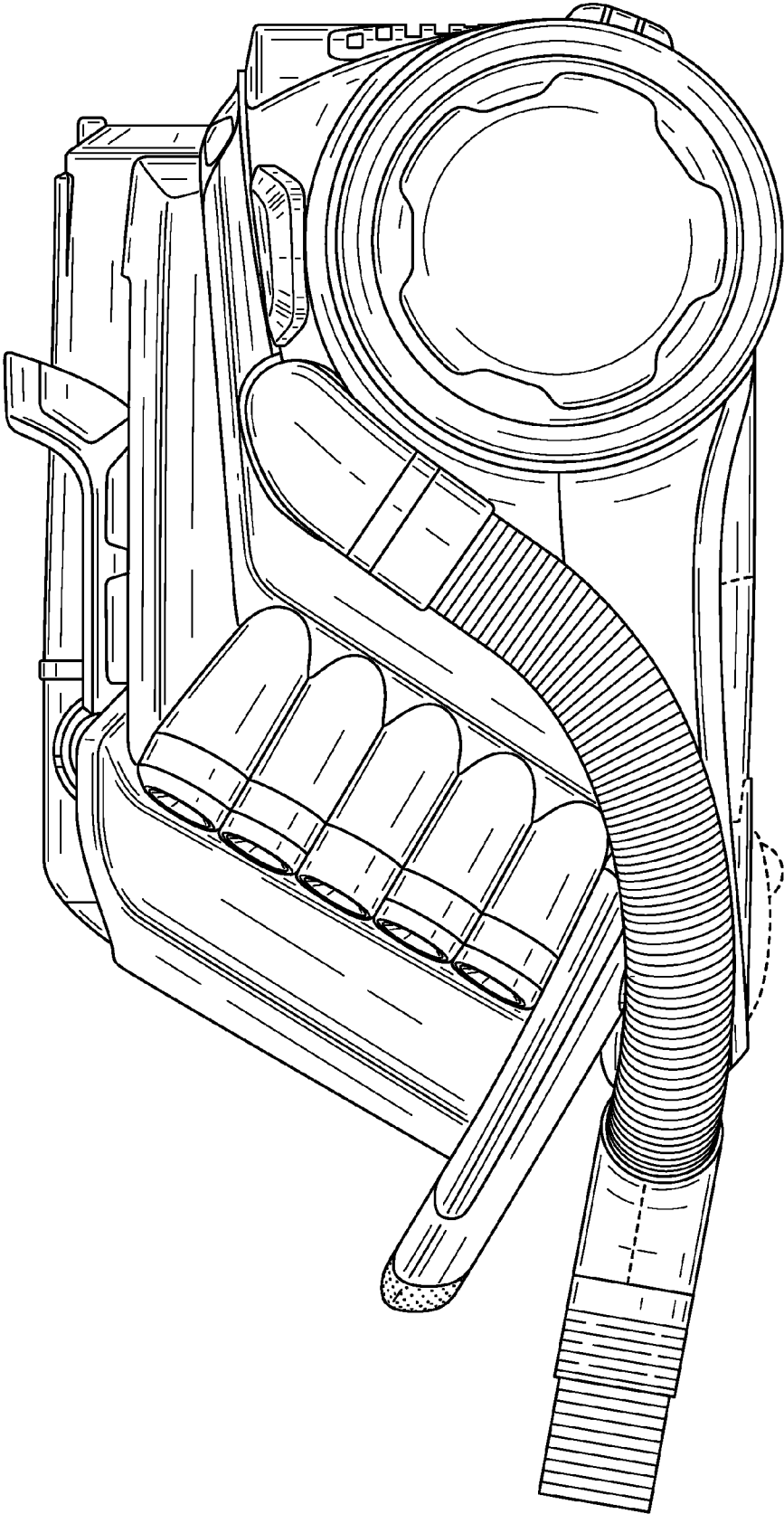


FIG. 5

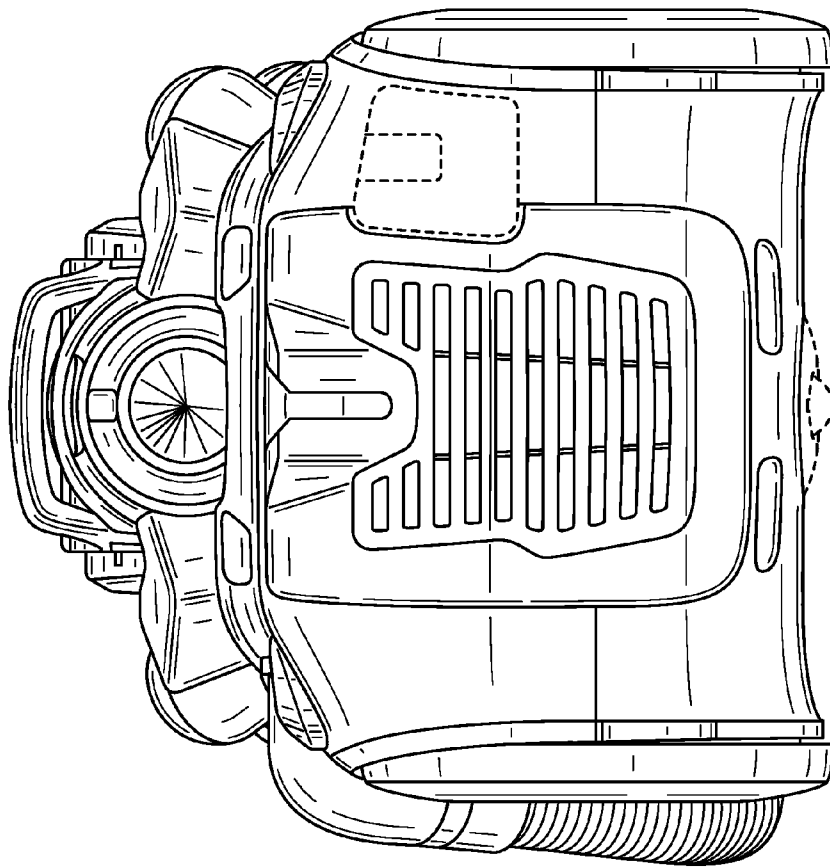


FIG. 6

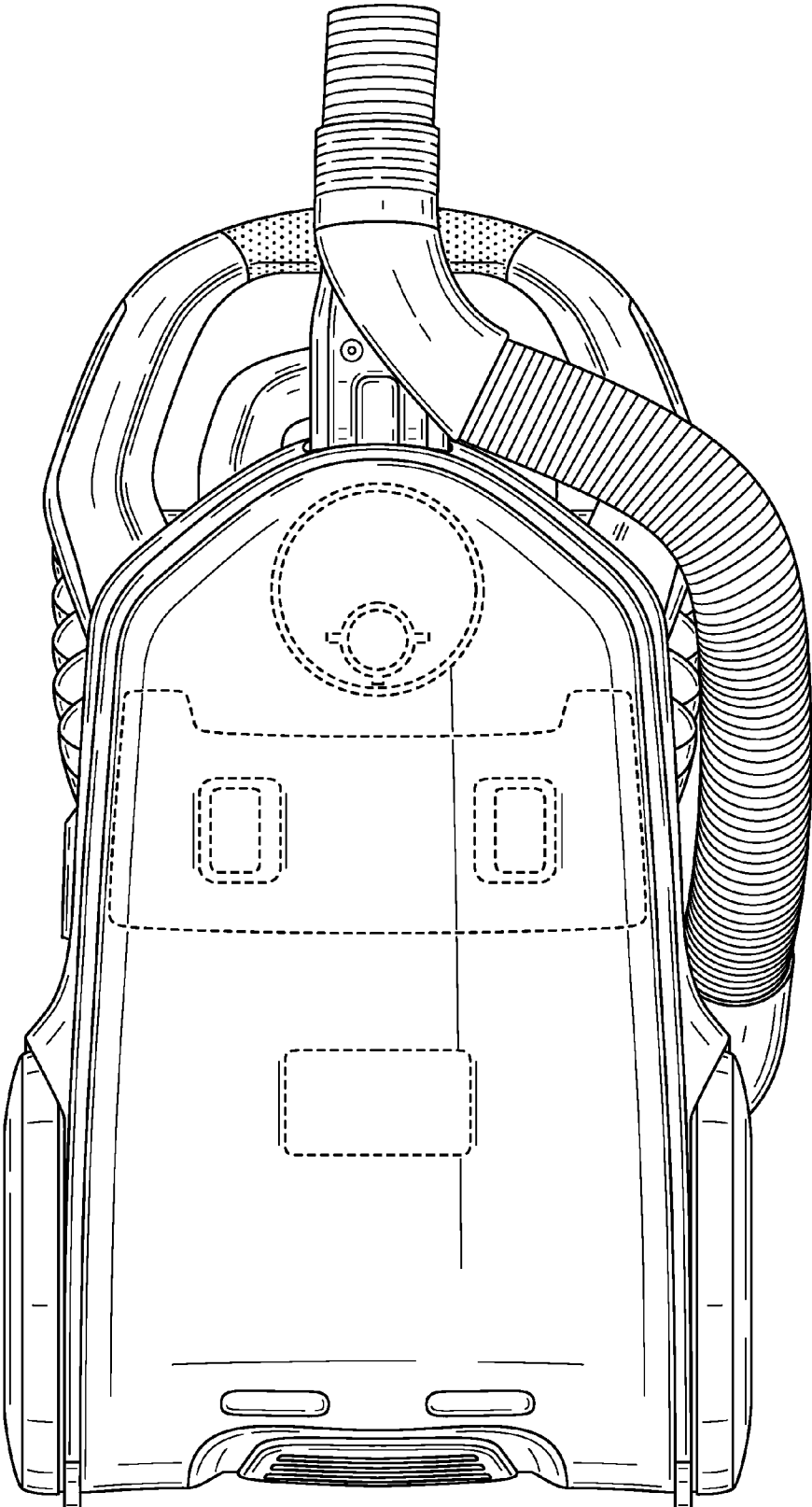


FIG. 7