

(19) World Intellectual Property Organization
International Bureau



(43) International Publication Date
17 July 2008 (17.07.2008)

PCT

(10) International Publication Number
WO 2008/085555 A3

- (51) International Patent Classification:
H04Q 7/34 (2006.01) H04B 7/26 (2006.01)
- (21) International Application Number:
PCT/US2007/078199
- (22) International Filing Date:
11 September 2007 (11.09.2007)
- (25) Filing Language: English
- (26) Publication Language: English
- (30) Priority Data:
11/519,446 11 September 2006 (11.09.2006) US
- (71) Applicant (for all designated States except US): ZEE-TOO, INC. [US/US]; 128 Great Road, Bedford, Massachusetts 01730 (US).

(74) Agents: SCHNURER, John, P. et al.; Fish & Richardson RC, RO. Box 1022, Minneapolis, Minnesota 55440-1022 (US).

(81) Designated States (unless otherwise indicated, for every kind of national protection available): AE, AG, AL, AM, AT, AU, AZ, BA, BB, BG, BH, BR, BW, BY, BZ, CA, CH, CN, CO, CR, CU, CZ, DE, DK, DM, DO, DZ, EC, EE, EG, ES, FT, GB, GD, GE, GH, GM, GT, HN, HR, HU, ID, IL, IN, IS, JP, KE, KG, KM, KN, KR, KZ, LA, LC, LK, LR, LS, LT, LU, LY, MA, MD, ME, MG, MK, MN, MW, MX, MY, MZ, NA, NG, NI, NO, NZ, OM, PG, PH, PL, PT, RO, RS, RU, SC, SD, SE, SG, SK, SL, SM, SV, SY, TJ, TM, TN, TR, TT, TZ, UA, UG, US, UZ, VC, VN, ZA, ZM, ZW

(84) Designated States (unless otherwise indicated, for every kind of regional protection available): ARIPO (BW, GH, GM, KE, LS, MW, MZ, NA, SD, SL, SZ, TZ, UG, ZM, ZW), Eurasian (AM, AZ, BY, KG, KZ, MD, RU, TJ, TM), European (AT, BE, BG, CH, CY, CZ, DE, DK, EE, ES, FI, FR, GB, GR, HU, IE, IS, IT, LT, LU, LV, MC, MT, NL, PL, PT, RO, SE, SI, SK, TR), OAPI (BF, BJ, CF, CG, CI, CM, GA, GN, GQ, GW, ML, MR, NE, SN, TD, TG).

- (72) Inventors; and
- (75) Inventors/Applicants (for US only): WHEELER, Lorraine [US/US]; 105 Dudley Rd., Billerica, Massachusetts 01821 (US). PODOLOFF, Rob [US/US]; 20 Gaslight Lane, Framingham, Massachusetts 01702 (US). VOSSELLER, Michael [US/US]; 98 Josephine Ave., Apt. # 3, Somerville, Massachusetts 02144 (US). CHEN, Elaine [US/US]; 118 Thorndike Street, Arlington, Massachusetts 02474 (US). MARCUS, Beth [US/US]; 2 Donovan Drive, Bedford, Massachusetts 01730 (US).

Declarations under Rule 4.17:

- as to applicant's entitlement to apply for and be granted a patent (Rule 4.17(U))
- as to the applicant's entitlement to claim the priority of the earlier application (Rule 4.17(Ui))

[Continued on next page]

(54) Title: LOCATION TRACKING SYSTEM

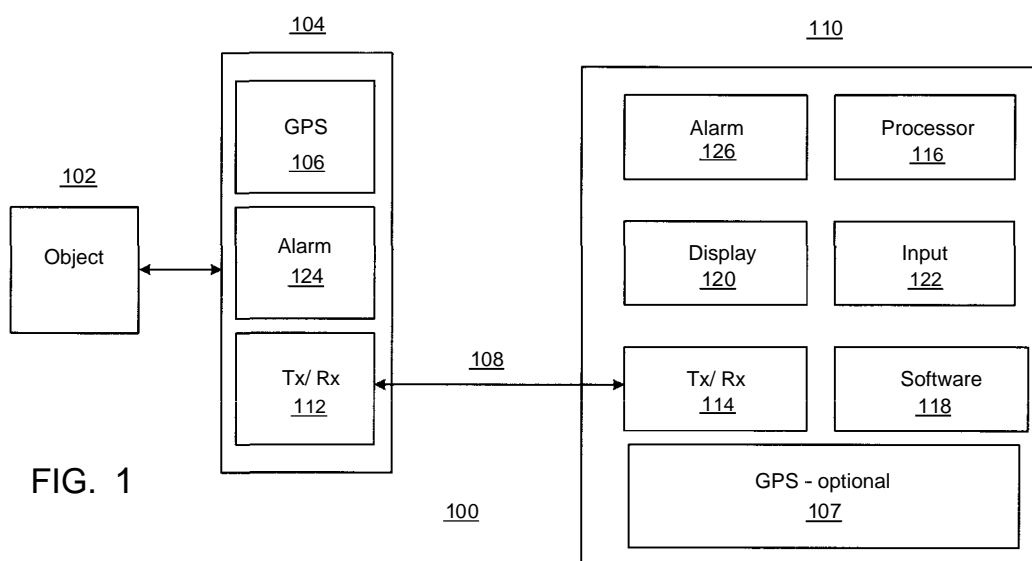


FIG. 1

(57) Abstract: A multi-range location tracking system for tracking a location of one or more objects, such as people, pets, or things, has one or more GPS-enabled accessory devices, with each accessory device being coupled to a corresponding one of the objects and being configured to generate location data of the corresponding object. The location tracking system also has a wireless link and one or more base units configured to communicate location data directly with the one or more accessory devices through the wireless link.



WO 2008/085555 A3



Published:

- *with international search report*
- *before the expiration of the time limit for amending the claims and to be republished in the event of receipt of amendments*

(88) Date of publication of the international search report:
6 November 2008

A. CLASSIFICATION OF SUBJECT MATTER		
H04Q 7/34(2006.01)i, H04B 7/26(2006.01)i		
According to International Patent Classification (IPC) or to both national classification and IPC		
B. FIELDS SEARCHED		
Minimum documentation searched (classification system followed by classification symbols) IPC 8 H04B, H04Q, GOIS		
Documentation searched other than minimum documentation to the extent that such documents are included in the fields searched KOREAN UTILITY MODELS AND APPLICATIONS FOR UTILITY MODELS SINCE 1975 JAPANESE UTILITY MODELS AND APPLICATIONS FOR UTILITY MODELS SINCE 1975		
Electronic data base consulted during the international search (name of data base and, where practicable, search terms used) eKIPASS (KIPO internal) & keywords "GPS", "accessory", "terminal" and similar terms		
C. DOCUMENTS CONSIDERED TO BE RELEVANT		
Category*	Citation of document, with indication, where appropriate, of the relevant passages	Relevant to claim No
X	KR 10-2005-01 12393 A (IN-HYUN JO) 30 November 2005 See abstract, figures 1-4 and their corresponding specifications	1-25
A	WO 01-73466 A1 (NEHER TIMOTHY, J) 04 October 2001 See abstract and figure 1	1-25
A	KR 20-0331381 Y1 (YANG-SUN RYU) 30 October 2003 See figures 1,2 and their corresponding specifications	1-25
A	WO 2004-100580 A1 (NORBELLE, LLC) 18 November 2004 See figure 18 and its corresponding specification	1-25
A	KR 10-2006-0056529 A (LG ELECTRONICS INC) 25 May 2006 See figures 1,3 and their corresponding specifications	1-25
<input type="checkbox"/> Further documents are listed in the continuation of Box C <input checked="" type="checkbox"/> See patent family annex		
* Special categories of cited documents "A" document defining the general state of the art which is not considered to be of particular relevance "E" earlier application or patent but published on or after the international filing date "L" document which may throw doubts on priority claim(s) or which is cited to establish the publication date of citation or other special reason (as specified) "O" document referring to an oral disclosure use exhibition or other means "P" document published prior to the international filing date but later than the priority date claimed		"T" later document published after the international filing date or priority date and not in conflict with the application but cited to understand the principle or theory underlying the invention "X" document of particular relevance, the claimed invention cannot be considered novel or cannot be considered to involve an inventive step when the document is taken alone "Y" document of particular relevance, the claimed invention cannot be considered to involve an inventive step when the document is combined with one or more other such documents, such combination being obvious to a person skilled in the art "&" document member of the same patent family
Date of the actual completion of the international search 29 AUGUST 2008 (29 08 2008)		Date of mailing of the international search report 29 AUGUST 2008 (29.08.2008)
Name and mailing address of the ISA/KR  Korean Intellectual Property Office Government Complex-Daejeon, 139 Seonsa-ro, Seo-gu Daejeon 302-701 Republic of Korea Facsimile No 82-42-472-7140		Authorized officer YANG, Jeong Rok Telephone No 82-42-481-5709 

INTERNATIONAL SEARCH REPORT
Information on patent family members

International application No
PCT/US2007/078199

Patent document cited in search report	Publication date	Patent family member(s)	Publication date
KR 10-2005-0 112393 A	30. 11.2005	KR 10-0576387 B1	03.05.2006
wo 01-73466 A1	04. 10.2001	AU 2001-25083 1 B2 AU 2001-5083 1 A1 CA 2404912 C CA 2404912 A1 CN 1434925 A EP 1290465 A1 EP 1290465 A4 IL 151820 AO JP 2003-529083 A KR 10-2003-00 12854 A PA 02009385 A US 2001-026240 A1 US 6362778 B2 US 6388612 B1 US 6388612 BA	08. 10.2001 08. 10.2001 09.08.2005 04. 10.2001 06.08.2003 12.03.2003 23.06.2004 10.04.2003 30.09.2003 12.02.2003 12.02.2003 04. 10.2001 26.03.2002 14.05.2002 14.05.2002
KR 20-033138 1 Y1	30. 10.2003	None	
wo 2004-100580 A1	18. 11.2004	AU 2003-228256 A1 BR 200318263 A EP 1618751 A1 JP 2006-5243 16 A KR 10-2006-00089 17 A PA 0501 1340 A US 2003-195008 A1 US 2006-035648 A1 US 2007-037582 A1 US 2007-037587 A1 US 2007-037588 A1 US 2007-042790 A1	26. 11.2004 23.05.2006 25.01 .2006 26. 10.2006 27.01 .2006 08.03.2006 16. 10.2003 16.02.2006 15.02.2007 15.02.2007 15.02.2007 22.02.2007
KR 10-2006-0056529 A	25.05.2006	None	