



US00D614792S

(12) **United States Design Patent**  
**Fabbri et al.**

(10) **Patent No.:** **US D614,792 S**

(45) **Date of Patent:** **\*\* Apr. 27, 2010**

(54) **LUMINAIRE**

(75) Inventors: **William C. Fabbri**, Bamstead, NH (US);  
**Roy B. Crane**, Wilmington, MA (US)

(73) Assignee: **Koninklijke Philips Electronics N.V.**,  
Eindhoven (NL)

(\*\*) Term: **14 Years**

(21) Appl. No.: **29/340,819**

(22) Filed: **Jul. 27, 2009**

**Related U.S. Application Data**

(63) Continuation of application No. 29/327,453, filed on  
Nov. 6, 2008, now Pat. No. Des. 597,241.

(51) **LOC (9) Cl.** ..... **26-05**

(52) **U.S. Cl.** ..... **D26/74; D26/120**

(58) **Field of Classification Search** ..... D26/24-28,  
D26/37, 63, 67-68, 72, 74-78, 80, 85, 87-89,  
D26/104, 108, 118, 120-122; 362/17, 132-133,  
362/145, 147-150, 155-157, 217-225, 228,  
362/231, 260, 262-264, 267, 295, 294, 310,  
362/345, 362, 364, 249, 365, 368, 431, 432,  
362/440, 800; D10/111, 114; 40/565; 404/7  
See application file for complete search history.

(56) **References Cited**

**U.S. PATENT DOCUMENTS**

D123,887 S \* 12/1940 Koehler ..... D26/24  
D195,012 S \* 4/1963 Hoyle ..... D23/388

D203,692 S \* 2/1966 Roovaart ..... D26/71  
D284,110 S \* 6/1986 Mullins ..... D26/76  
D292,322 S \* 10/1987 Krol ..... D26/75  
D344,364 S \* 2/1994 Engle ..... D26/72  
D351,481 S \* 10/1994 Cole, Jr. .... D26/76  
D409,325 S \* 5/1999 Holder et al. .... D26/74  
D411,641 S \* 6/1999 Ranieri et al. .... D26/74  
6,652,113 B2 \* 11/2003 Tant ..... 362/147  
D545,991 S \* 7/2007 Mayfield et al. .... D26/118  
2006/0198134 A1 \* 9/2006 Fowler ..... 362/217

\* cited by examiner

*Primary Examiner*—Philip S Hyder  
*Assistant Examiner*—Susan E Krakower

(74) *Attorney, Agent, or Firm*—John F. Salazar; Middleton  
Reutilinger

(57) **CLAIM**

The ornamental design for a luminaire, as shown and  
described.

**DESCRIPTION**

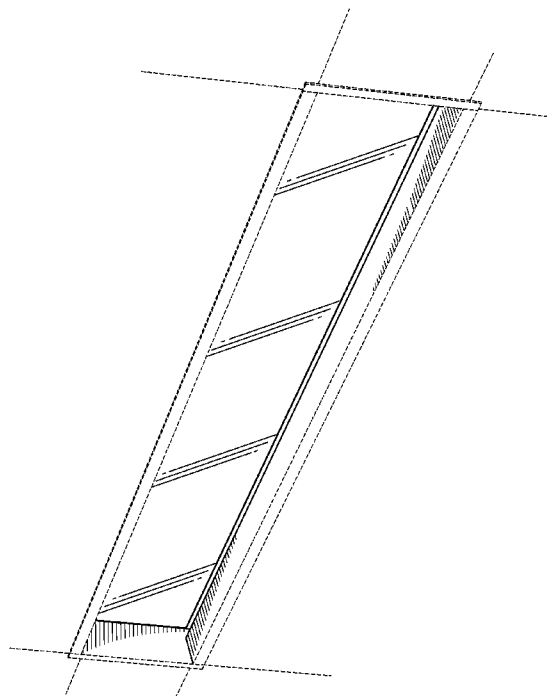
FIG. 1 is a lower perspective view of a luminaire showing the  
design of the present invention;

FIG. 2 is a bottom view thereof; and,

FIG. 3 is a side perspective view thereof. The other side view  
of the design of the present invention is a mirror image of this  
view, and is not included.

The broken lines showing environmental structure are for  
illustration purposes only and form no part of the claimed  
design.

**1 Claim, 3 Drawing Sheets**



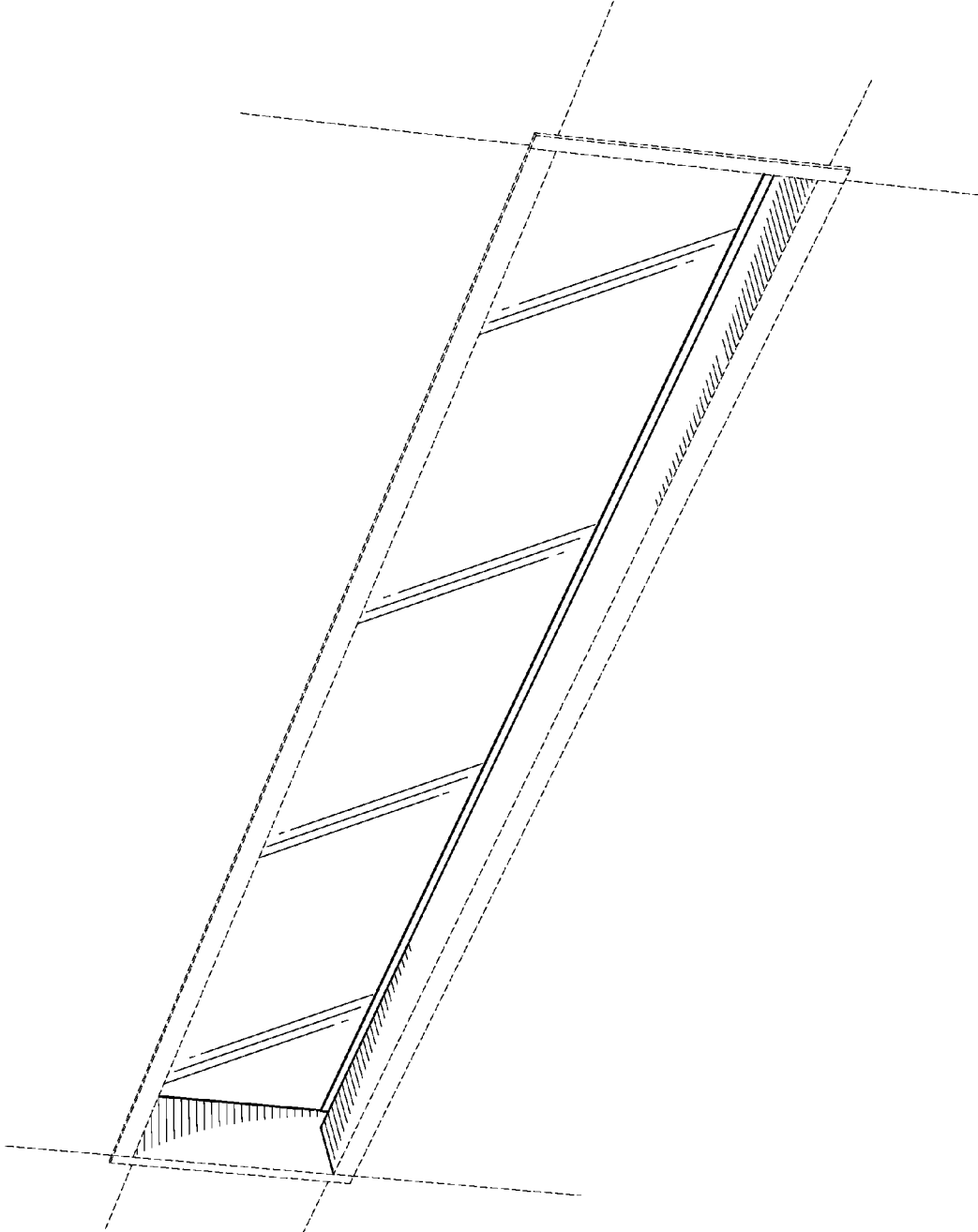


FIG. 1

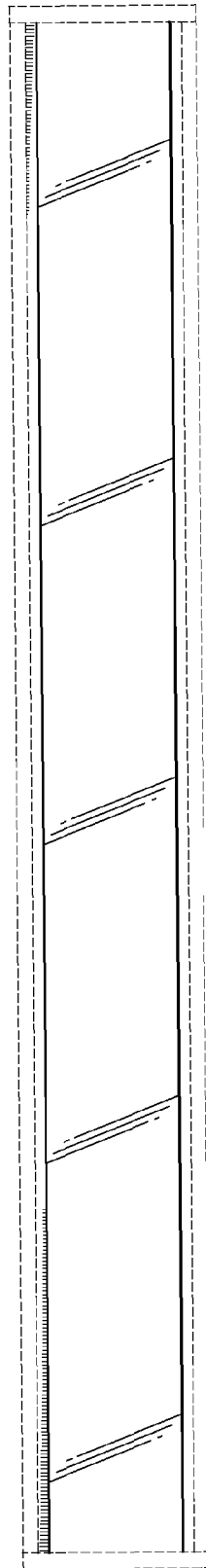


FIG. 2

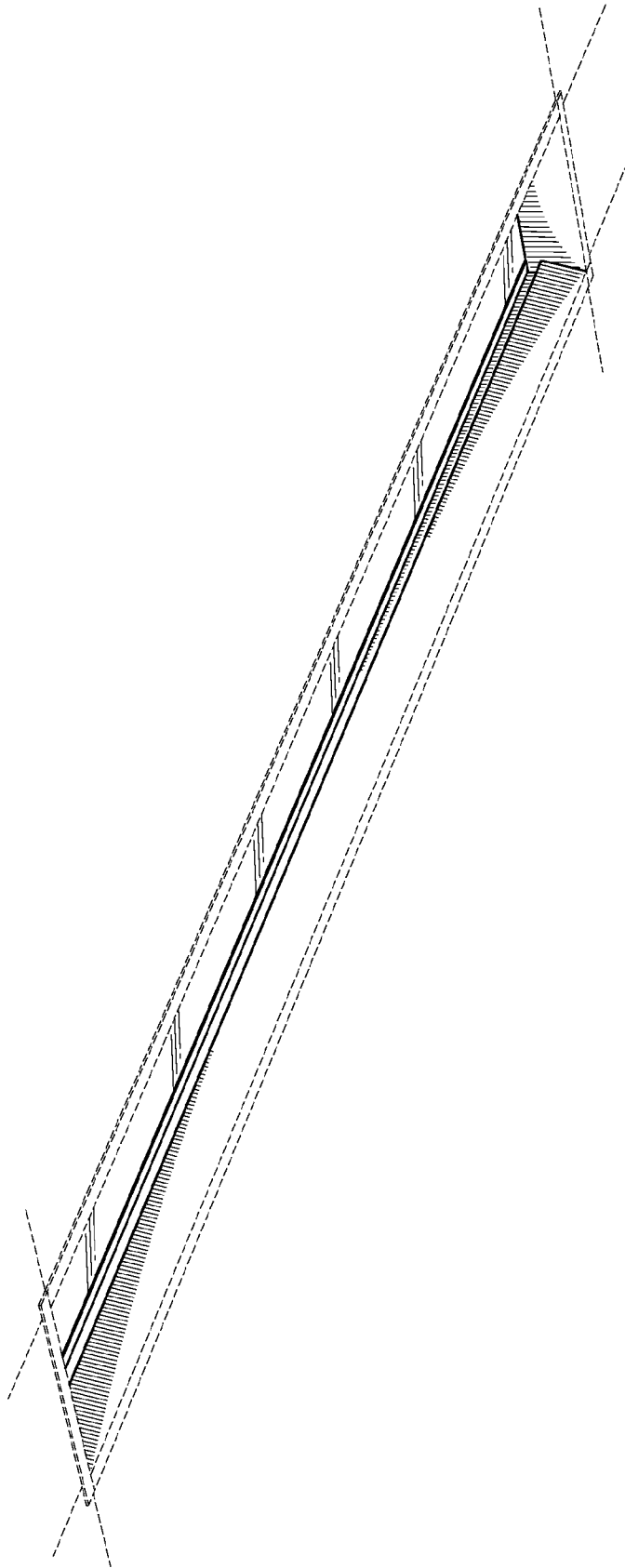


FIG. 3