



US0D1069061S

(12) **United States Design Patent**
Puente

(10) **Patent No.:** **US D1,069,061 S**

(45) **Date of Patent:** **** Apr. 1, 2025**

(54) **WATER HEATER SUPPORT**

(71) Applicant: **JCIMLAS, LLC**, San Diego, CA (US)

(72) Inventor: **Alejandro R. Puente**, San Diego, CA (US)

(73) Assignee: **JCIMLAS, LLC**, San Diego, CA (US)

(**) Term: **15 Years**

(21) Appl. No.: **29/851,499**

(22) Filed: **Aug. 29, 2022**

(51) **LOC (15) Cl.** **23-03**

(52) **U.S. Cl.**
USPC **D23/322**

(58) **Field of Classification Search**

USPC D23/318, 319, 320, 321, 322, 323, 330,
D23/332, 335, 342

CPC F24H 1/205; F24H 15/174; F24H 9/14;
F24H 15/223; F24H 9/02

See application file for complete search history.

(56) **References Cited**

U.S. PATENT DOCUMENTS

3,998,294	A	12/1976	Moeller	
4,955,573	A	9/1990	Horvath	
5,022,624	A *	6/1991	Hill F16M 13/02 248/68.1
5,131,133	A *	7/1992	Peterson F24H 9/06 248/500
5,344,111	A	9/1994	Gantzert	

(Continued)

FOREIGN PATENT DOCUMENTS

CN	305357812	*	9/2019
CN	306183538	*	11/2020

(Continued)

OTHER PUBLICATIONS

[Akihisa], available in amazon.com, announced Jan. 18, 2024 [online], [site visited Oct. 1, 2024], Internet URL: <https://www.amazon.com/WYKA-Ceiling-Support-Adjustable-Stainless/dp/B083FD5NDW/> (Year: 2024).*

(Continued)

Primary Examiner — George J Ulsh

Assistant Examiner — Jihyung Yoon

(74) *Attorney, Agent, or Firm* — Procopio, Cory, Hargreaves & Savitch LLP

(57) **CLAIM**

The ornamental design for a water heater support, as shown and described.

DESCRIPTION

FIG. 1 is a perspective view of the water heater support. FIG. 2 is a front elevational view of the water heater support. FIG. 3 is a rear elevational view of the water heater support. FIG. 4 is a left side elevational view of the water heater support.

FIG. 5 is a right side elevational view of the water heater support.

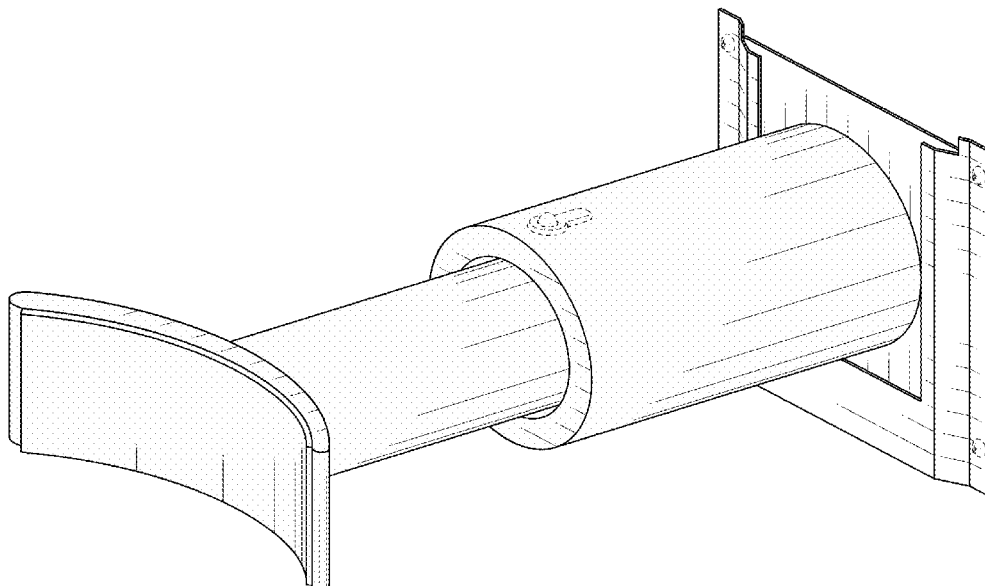
FIG. 6 is a top plan view of the water heater support.

FIG. 7 is a bottom plan view of the water heater support; and,

FIG. 8 is a perspective view of the water heater support shown supporting and fixing the top of a water heater to a nearby wall structure.

The broken lines in FIGS. 1-7 show environmental structures of the water heater support and form no part of the claimed design. The broken lines in FIG. 8 shows the boundary of the view of the environment of use of the water heater support and environmental structures of the water heater support and form no part of the claimed design.

1 Claim, 7 Drawing Sheets



(56)

References Cited

U.S. PATENT DOCUMENTS

5,746,405 A * 5/1998 Dvorak F24H 9/06
248/154
5,897,086 A 4/1999 Condon
D452,301 S * 12/2001 Schwartz D23/328
6,349,906 B1 2/2002 Anderson
D604,815 S * 11/2009 Sim D23/316
8,087,624 B2 1/2012 Varney et al.
2006/0080937 A1 4/2006 Jones
2024/0068709 A1* 2/2024 Puente F24H 9/06

FOREIGN PATENT DOCUMENTS

CN 212129876 U 12/2020
CN 308330043 * 11/2023
CN 308430282 * 1/2024
FR 3027100 A 4/2016
FR 3102837 A 8/2022
JP 11037559 A 2/1999

OTHER PUBLICATIONS

[Mengmain], available in amazon.com, announced Jun. 2, 2024
[online], [site visited Oct. 1, 2024], Internet URL: <https://www.amazon.com/Stainless-Ceiling-Support%EF%BC%8CAdjustable-Expansion-Fixing%EF%BC%882pack%EF%BC%89/dp/B0CNDCPB5Z/> (Year: 2024).*

* cited by examiner

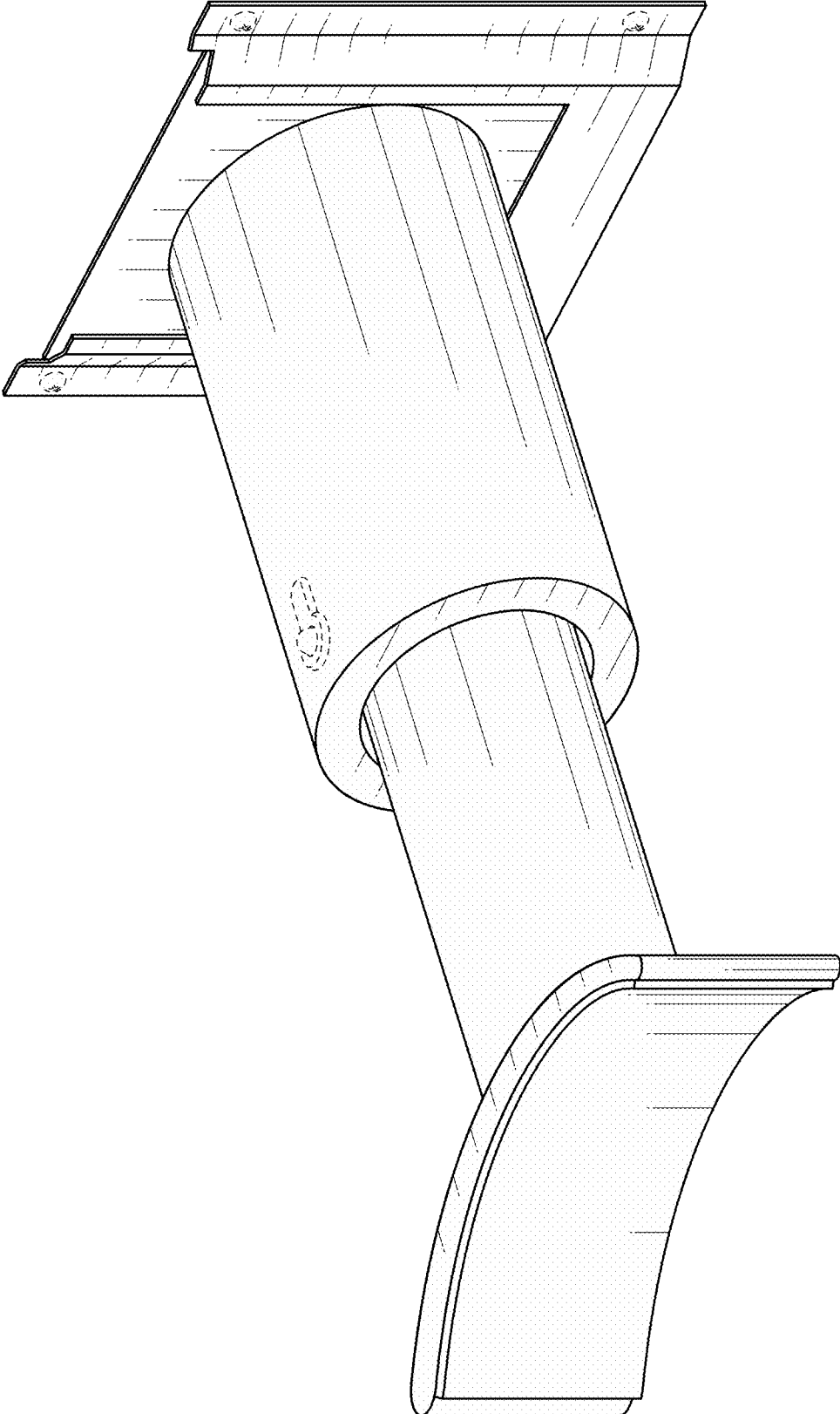


FIG. 1

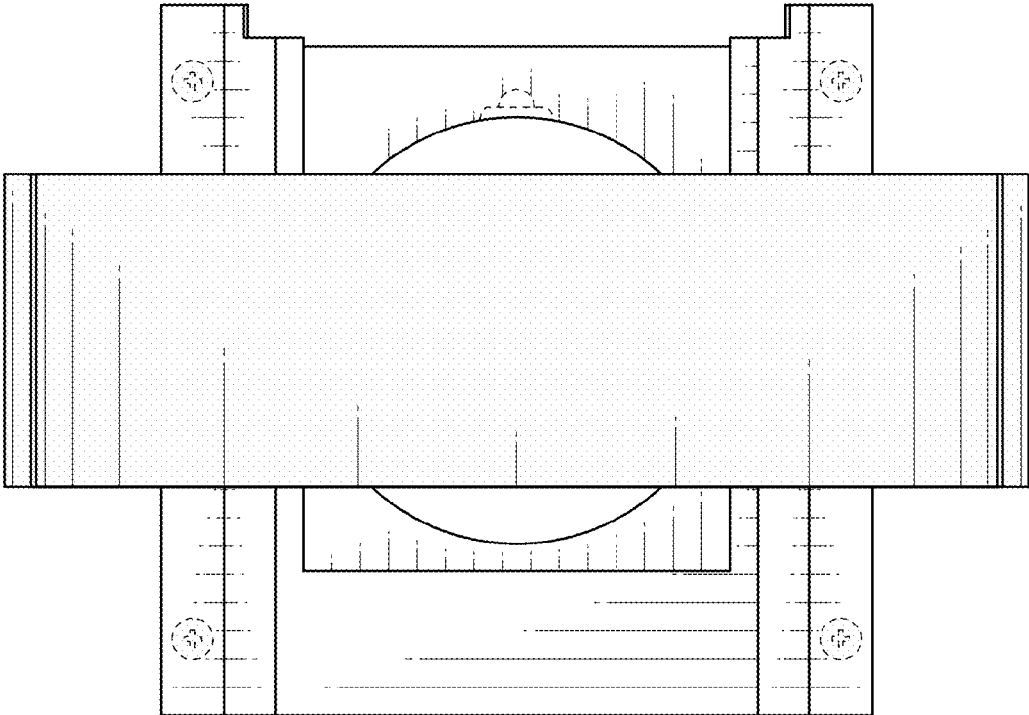


FIG. 2

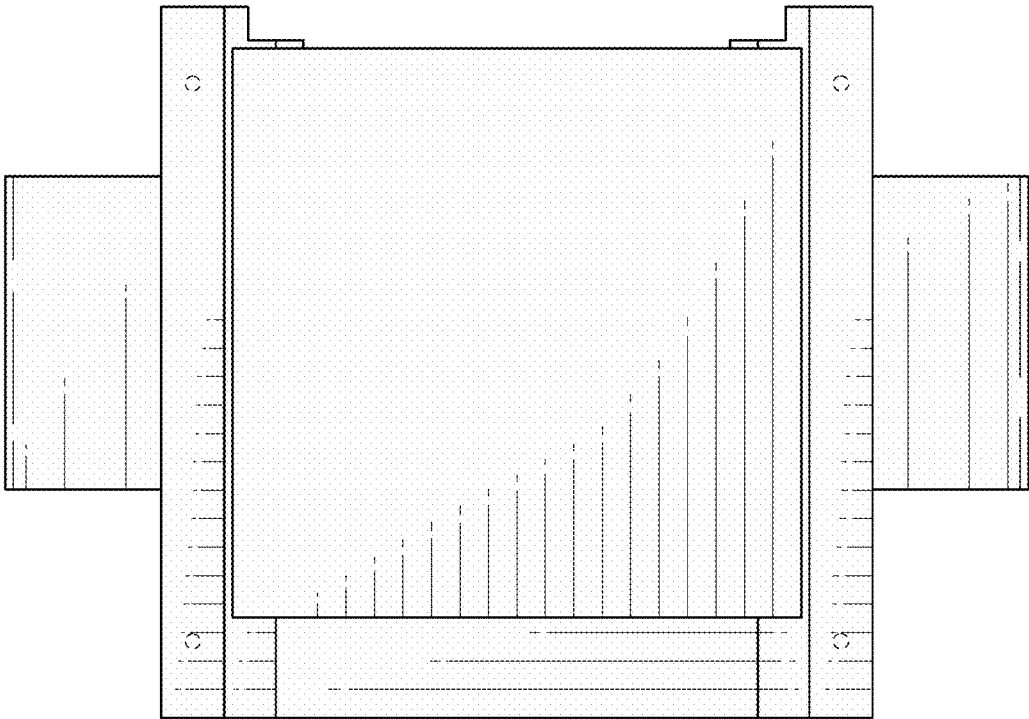


FIG. 3

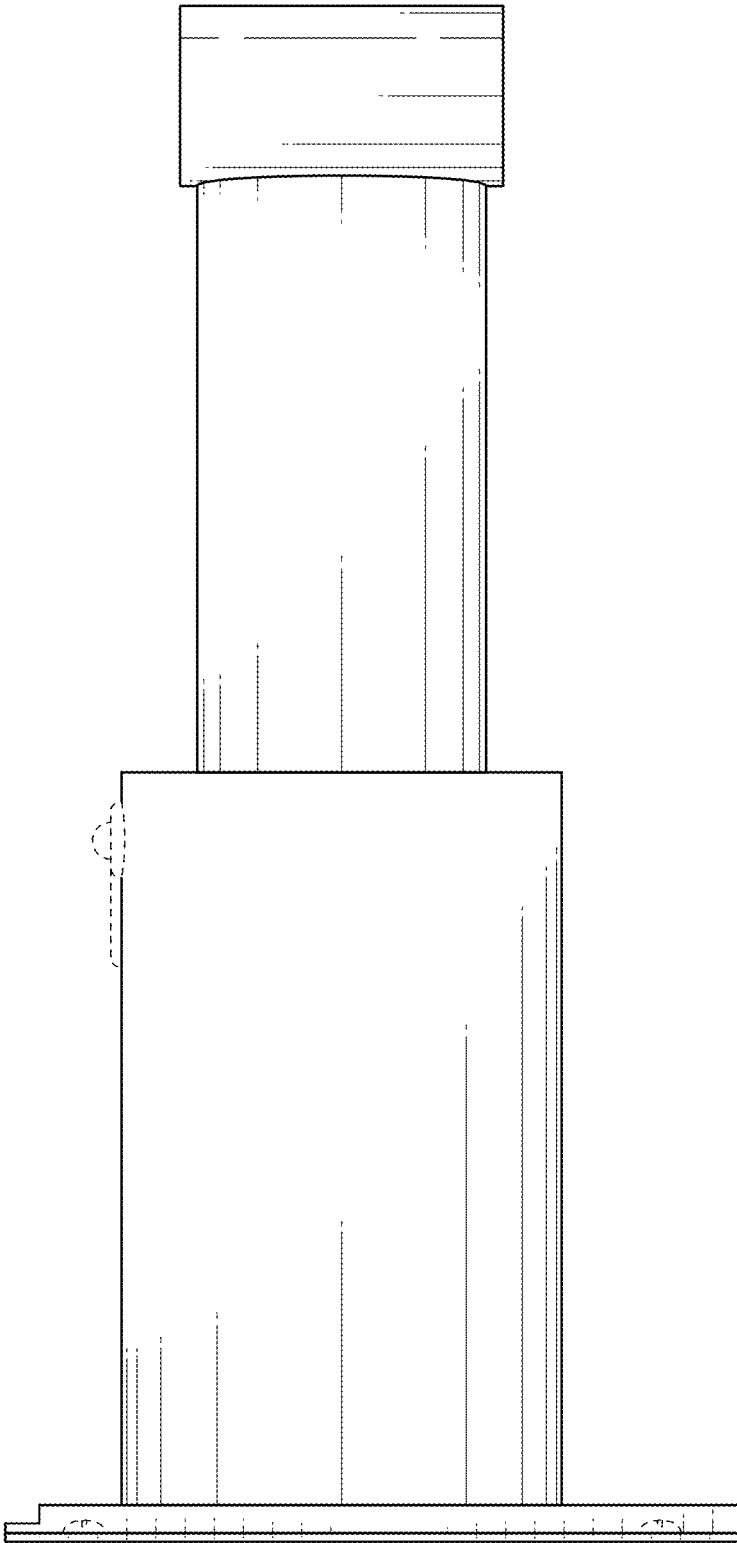


FIG. 4

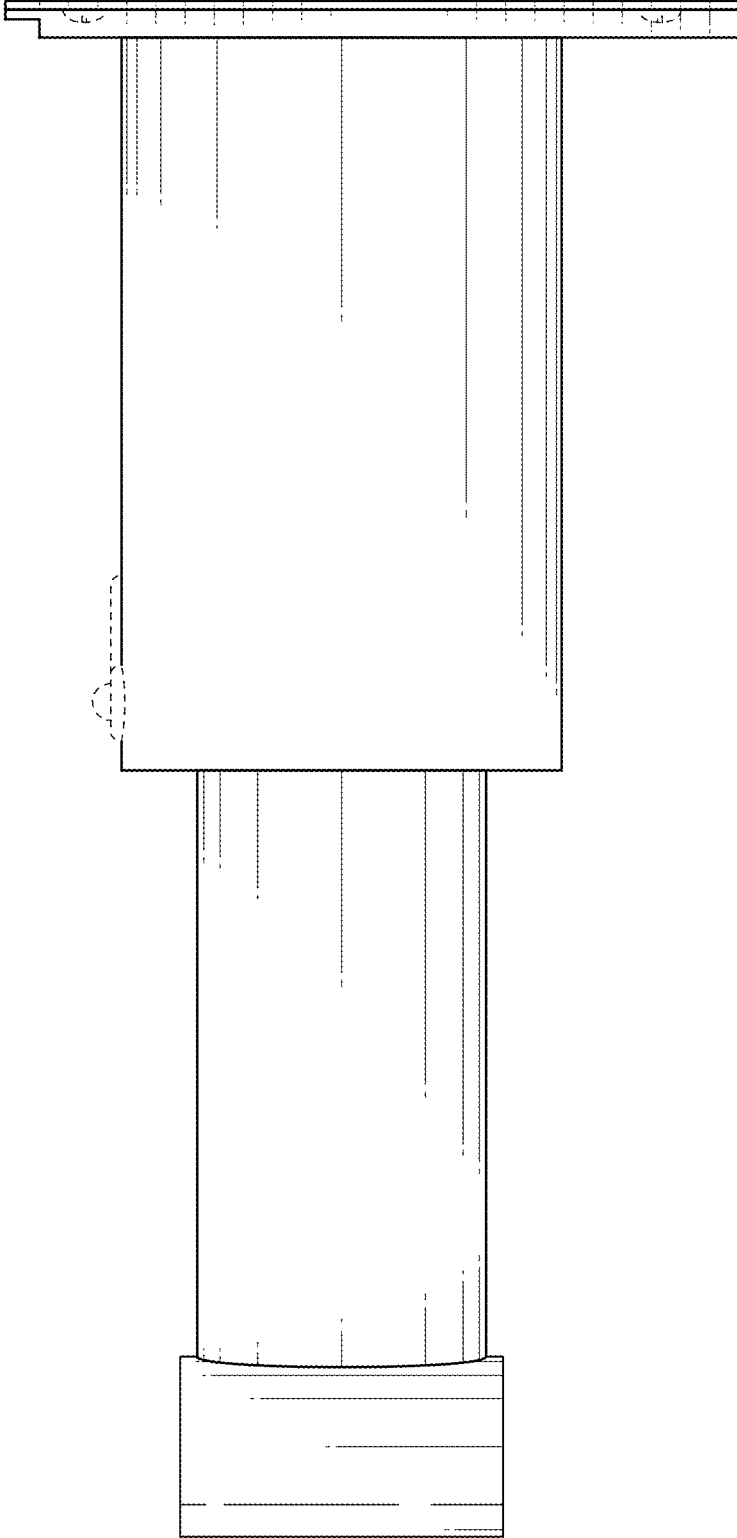


FIG. 5

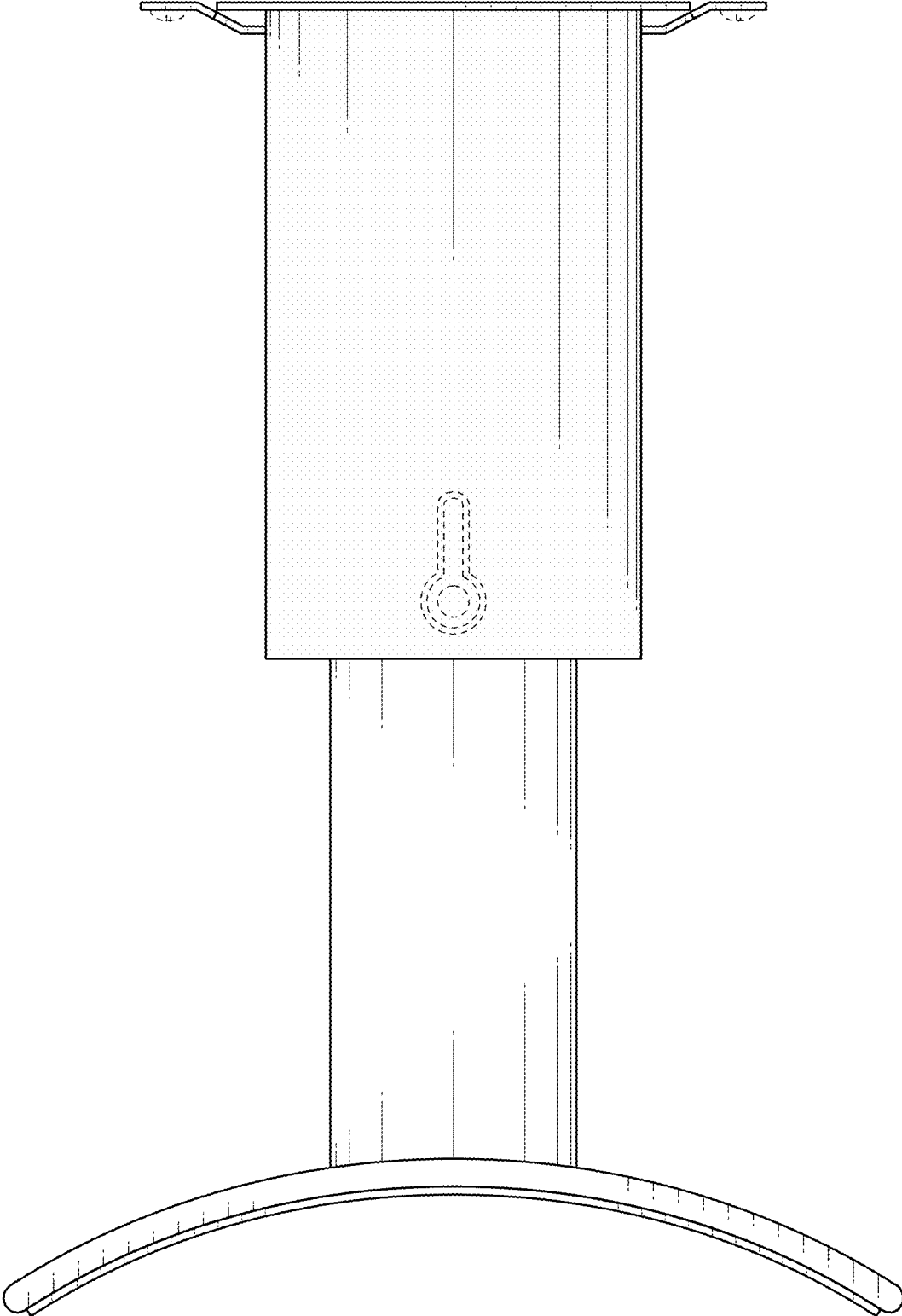


FIG. 6

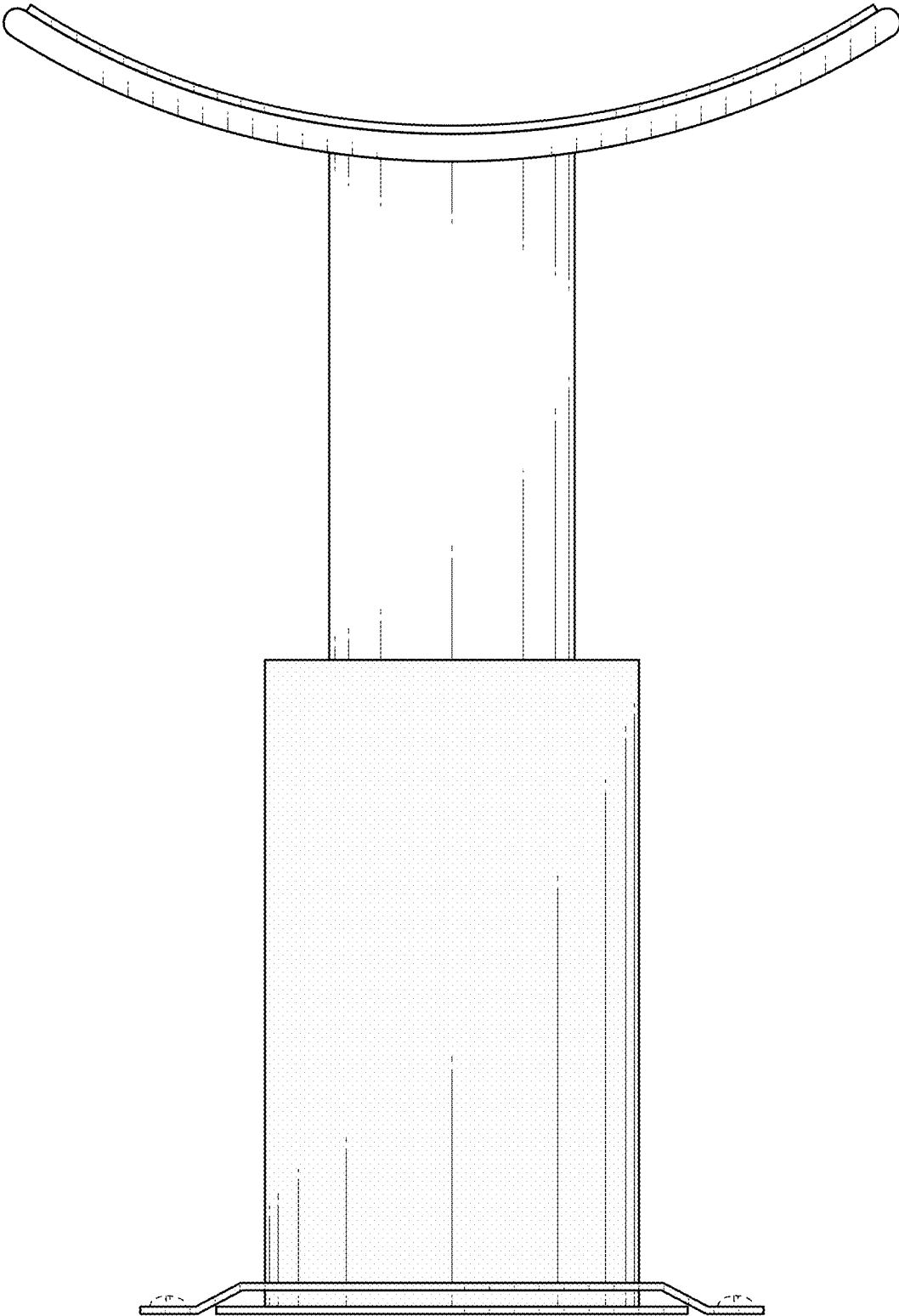


FIG. 7

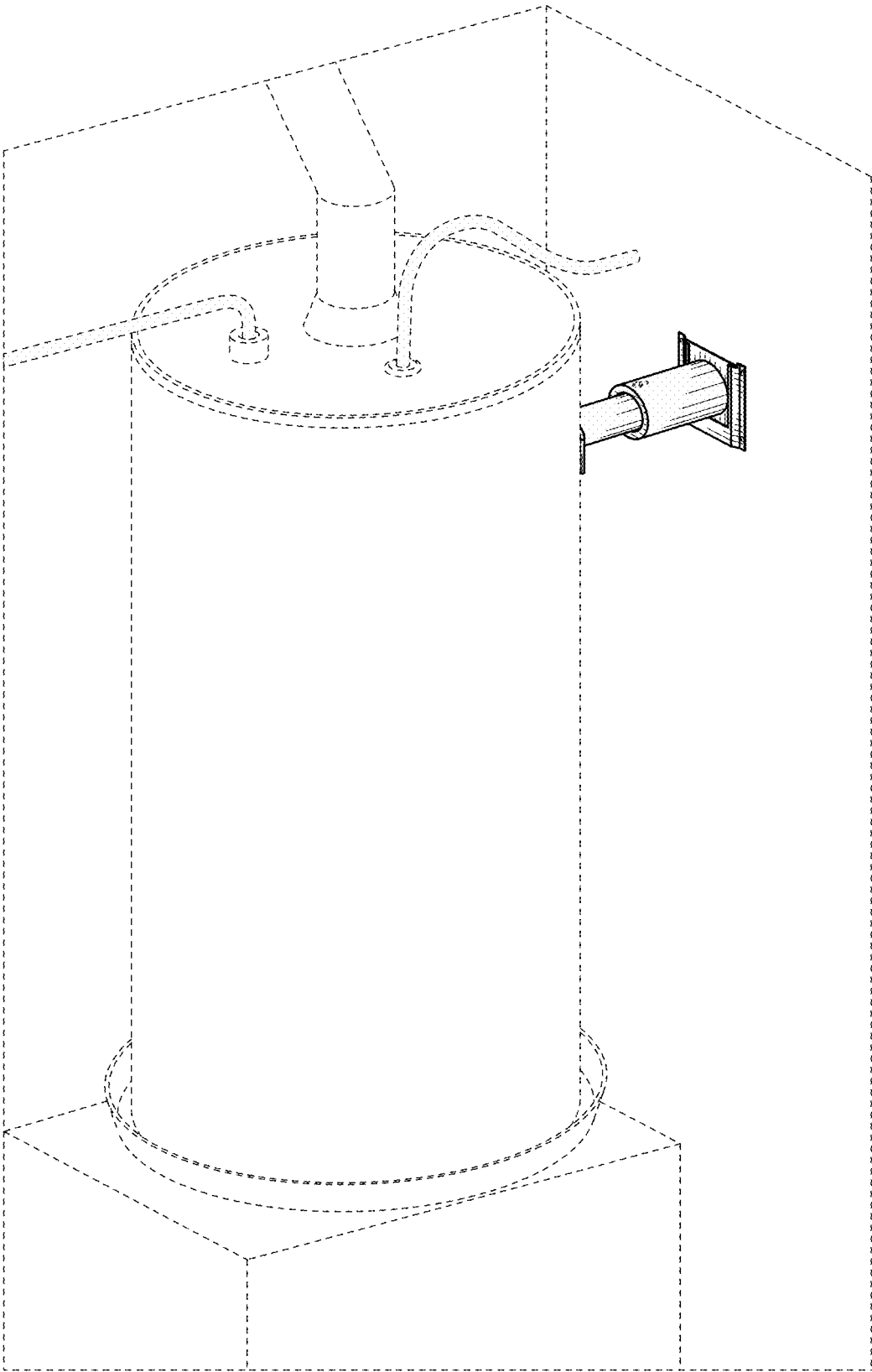


FIG. 8