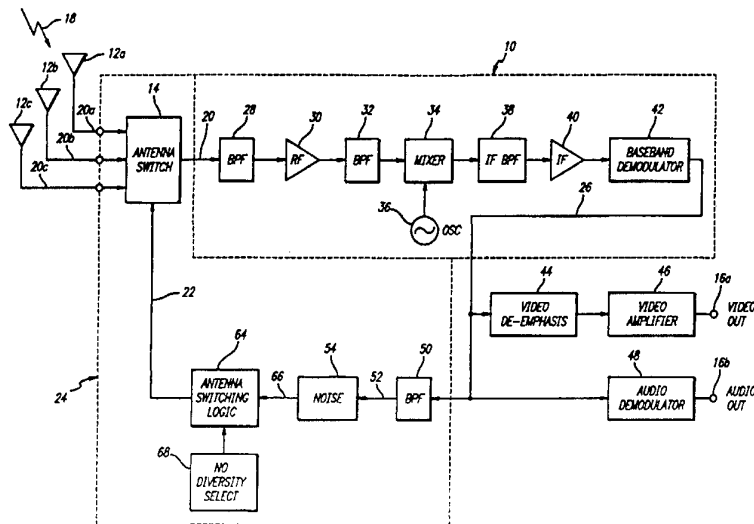




INTERNATIONAL APPLICATION PUBLISHED UNDER THE PATENT COOPERATION TREATY (PCT)

<p>(51) International Patent Classification ⁶ : H04B 1/10, 7/08</p>	<p>A1</p>	<p>(11) International Publication Number: WO 97/09792 (43) International Publication Date: 13 March 1997 (13.03.97)</p>
<p>(21) International Application Number: PCT/US96/14255 (22) International Filing Date: 5 September 1996 (05.09.96) (30) Priority Data: 524,394 6 September 1995 (06.09.95) US (71) Applicant: PREMIER WIRELESS, INC. [US/US]; 4749-C Bennett Drive, Livermore, CA 94550 (US). (72) Inventor: LEE, Rowland; 21440 Via del Parque, Yorba Linda, CA 92687 (US). (74) Agents: SATERMO, Eric, K. et al.; Poms, Smith, Lande & Rose, Suite 3800, 2029 Century Park East, Los Angeles, CA 90067 (US).</p>		<p>(81) Designated States: AU, CA, CN, JP, European patent (AT, BE, CH, DE, DK, ES, FI, FR, GB, GR, IE, IT, LU, MC, NL, PT, SE). Published <i>With international search report.</i> <i>With amended claims.</i></p>

(54) Title: DIVERSITY RECEIVER



(57) Abstract

A diversity receiver switches between at least two antennae (12) when the noise level of a processed receiver signal (26) exceeds a predetermined level. A diversity circuit (24) extracts the noise from the receiver signal (26) with a bandpass filter (50) and compares the level of the noise to the predetermined level. When the noise exceeds the predetermined level, the diversity circuit (24) sends a command signal (22) to switching circuitry (14) to switch from the antenna (12) currently responsible for the receiver signal (26) to another antenna (12). If the noise in the receiver signal (26) indicative of the signal (18) received by the now-coupled antenna (12) still exceeds the predetermined level, then the switching circuitry (14) continues to switch between antennae (12) until an acceptable noise level is achieved. A sync separator circuit (172) may be provided if antenna switching is desired during the vertical or horizontal blanking intervals. A plurality of antenna/receiver-circuit (210, 212) combinations may also be employed with the switching circuitry (280) to switch between the receiver circuit (210) with a dedicated antenna (212) rather than between the antennae (212) themselves.

FOR THE PURPOSES OF INFORMATION ONLY

Codes used to identify States party to the PCT on the front pages of pamphlets publishing international applications under the PCT.

AM	Armenia	GB	United Kingdom	MW	Malawi
AT	Austria	GE	Georgia	MX	Mexico
AU	Australia	GN	Guinea	NE	Niger
BB	Barbados	GR	Greece	NL	Netherlands
BE	Belgium	HU	Hungary	NO	Norway
BF	Burkina Faso	IE	Ireland	NZ	New Zealand
BG	Bulgaria	IT	Italy	PL	Poland
BJ	Benin	JP	Japan	PT	Portugal
BR	Brazil	KE	Kenya	RO	Romania
BY	Belarus	KG	Kyrgystan	RU	Russian Federation
CA	Canada	KP	Democratic People's Republic of Korea	SD	Sudan
CF	Central African Republic	KR	Republic of Korea	SE	Sweden
CG	Congo	KZ	Kazakhstan	SG	Singapore
CH	Switzerland	LI	Liechtenstein	SI	Slovenia
CI	Côte d'Ivoire	LU	Luxembourg	SK	Slovakia
CM	Cameroon	LK	Sri Lanka	SN	Senegal
CN	China	LR	Liberia	SZ	Swaziland
CS	Czechoslovakia	LT	Lithuania	TD	Chad
CZ	Czech Republic	LU	Luxembourg	TG	Togo
DE	Germany	LV	Latvia	TJ	Tajikistan
DK	Denmark	MC	Monaco	TT	Trinidad and Tobago
EE	Estonia	MD	Republic of Moldova	UA	Ukraine
ES	Spain	MG	Madagascar	UG	Uganda
FI	Finland	ML	Mali	US	United States of America
FR	France	MN	Mongolia	UZ	Uzbekistan
GA	Gabon	MR	Mauritania	VN	Viet Nam

- 1 -

DIVERSITY RECEIVER
BACKGROUND OF THE INVENTION

5 Field of the Invention

 The present invention relates to receivers and, more particularly, to frequency-modulation (FM) receivers with more than one antenna and the capability to switch between antennae to improve signal quality.

10

Description of Related Art

 The wireless transmission of video signals has widespread use in modern telecommunications. One common form of wireless transmission is television broadcasting which uses an amplitude-modulation (AM) transmission scheme. Another common form of wireless transmission is satellites. Satellite transmission uses a higher frequency than ground-based television transmission and often uses a frequency-modulation (FM) transmission scheme. Other transmission systems include microwave systems which also often use FM transmission schemes because of inherently better signal quality, higher sensitivity which means lower transmitted power, longer range, and better interference rejection.

25

 Accompanying their respective transmission benefits, both AM and FM systems suffer from multi-path signal interference problems. As radio frequency signals such as FM signals are often reflected during propagation, a signal antenna at the receiver will receive several versions of the transmitted signal, each version having traveled over a different pathway. All of the signals are then added together at the receiving antenna. As some of the pathways are inevitably longer than others, the received signals will not be in phase. Adding several out-of-phase signals causes distortions in the combined received signal, that is, multi-path interference.

35

 This phenomenon results in a degraded received signal and,

- 2 -

in extreme cases, a complete cancellation of the received signal.

In a fixed site installation (i.e., the receiver is not mobile), these multi-path problems can usually be
5 solved by choosing the right antenna and positioning the antenna carefully. However, in mobile applications, the chance of encountering reflections is almost unavoidable. Some means of combating multi-path interference is necessary to maintain uninterrupted signal transmission.
10 The circuitry used to overcome this problem usually resides on the receiving end in what is known as a diversity receiver.

Diversity receivers are common and have been in use for many years for voice and data communications. Many
15 diversity receivers use more than one receiving antenna and are generally designed to switch to an alternate antenna when the received signal is bad or undesirable at the presently used receiving antenna.

In spatial diversity systems, two antennae are
20 positioned apart with the intent that the reflected signals at the antenna locations will not cancel the desired signal at the same time. In polarity diversity systems, both horizontally and vertically polarized antennae are used with switching between the two for the
25 better signal.

As it is often desirable to have mobile wireless links (including transmitting and receiving) such as those used in remote camera newscasts, multi-path interference is particularly difficult to solve in that changing antenna
30 location or providing a directional antenna is not an alternative. Automatic gain control (AGC) is a process by which gain is automatically adjusted so that the output of a signal is substantially constant regardless of the range of variations at the input, and has been used in
35 antenna switching. To do this, a switching command is usually derived from the automatic gain control of the receiver. However, the response time of most AGC circuits

- 3 -

is slow and can be on the order of many tens of milliseconds or more, meaning that many milliseconds of signal could be lost before the connection is restored. For voice communication, a few ten milliseconds of silence may not be distractingly noticeable, but for video transmission, the loss of even a few milliseconds of the video signal means that the picture may roll or tear, which is distractingly noticeable to human vision. Therefore, the faster the switching scheme, the better.

One type of video diversity system is disclosed by U.S. Patent No. 5,410,748 and is a system for regular television broadcast (i.e., AM) mobile applications. It uses multiple antennae and samples the video sync as the monitoring point to switch between the antennae at the vertical blanking intervals of the television signal. Another form of diversity receiver for television broadcasts is disclosed in U.S. Patent No. 5,335,010. The video sync is monitored with antenna switching occurring at the horizontal blanking intervals. The diversity systems disclosed by these patents as well as other diversity systems known in the art are intended for regular television broadcast signals, while none of these systems provide acceptable solutions for multi-path interference for FM video systems.

Accordingly, as FM video diversity receivers are neither common nor widely available on the consumer market, it is an object of the present invention to provide a diversity receiver which minimizes multi-path interference problems, particularly in FM video systems.

SUMMARY OF THE INVENTION

A diversity FM receiver according to the present invention employs a plurality of antennae for receiving a transmission signal and providing an antenna signal indicative of the transmission signal to at least one receiver circuit. Each of the antennae has a different location from the other antennae. The receiver circuit is

- 4 -

in communication with one of the antennae at one time for processing the antenna signal and providing a receiver signal, which may be a demodulated baseband signal in video applications, to an output of the diversity receiver.

The diversity receiver further includes a diversity circuit which also receives the receiver signal and extracts the noise component therefrom. The diversity circuit compares the level of the noise of the receiver signal to a predetermined level. When the noise level exceeds the predetermined level, the diversity circuit sends a command signal to a switching circuit. The switching circuit in turns switches from the antenna responsible for the receiver signal with the excess noise to another antenna.

One feature of the present invention is that the switching circuit may rapidly switch between the plurality of antennae to determine which of the antennae is providing the strongest antenna signal. Further, when the quality of the transmission signal is marginal, i.e., the noise of the receiver signal is at or near the predetermined level, the switching circuit may implement a "freeze" period between cycles so that picture flicker is reduced. An exemplary freeze period may be about 100 milliseconds.

Another feature of the diversity circuit of the present invention is that the switching circuit has a relatively short response time for one switching cycle. The diversity circuit uses a bandpass filter to extract the noise from the receiver signal. Accordingly, depending upon the bandwidth of the bandpass filter, the response time of the switching cycle may range from about a few microseconds to 100 microseconds.

One aspect of the diversity receiver of the present invention is that a synchronizing or sync signal separator is provided to separate the vertical or horizontal blanking signal of the video output to the diversity

- 5 -

circuit. The diversity circuit then uses this signal as a reference so that the switching circuit switches between antennae during either the vertical blanking or horizontal blanking intervals of the video output signal.

5 The diversity receiver of the present invention has a further aspect in that a plurality of dedicated receiver circuits are provided, each respectively coupled to one of the antennae. A corresponding plurality of noise circuits are provided for extracting the noise signal from
10 each of the respective receiver signals. A processing circuit compares the level of the noise of each receiver signal to the average level of the noise of all the receiver signals, and selects the receiver signal with the least noise either instantly or at the vertical or
15 horizontal blanking interval, if desired.

Other aspects, features, and advantages of the present invention will become apparent to those skilled in the art from a reading of the following detailed description of the preferred embodiments with reference to the
20 accompanying drawings.

BRIEF DESCRIPTION OF THE DRAWINGS

FIG. 1 is a block diagram of an exemplary embodiment of a diversity receiver illustrating principles of the
25 present invention;

FIG. 2 is a graph of a frequency spectrum of a demodulated baseband signal in accordance with the principles of the present invention, particularly showing a noise filter bandwidth in comparison with the baseband
30 signal;

FIG. 3 is a block diagram of an exemplary embodiment of a diversity receiver illustrating further principles of the present invention, particularly showing a video diversity receiver which samples noise of the vertical and
35 horizontal components of a video signal; and

FIG. 4 is a block diagram of an exemplary embodiment of a diversity receiver having a plurality of

- 6 -

antenna/receiver-circuit combinations, illustrating still further principles of the present invention.

DETAILED DESCRIPTION OF THE PREFERRED EMBODIMENTS

5 Referring to the drawings, exemplary embodiments of a diversity receiver according to the present invention are shown. Upon reading the following detailed description with reference to the drawings, those skilled in the art will recognize that various modifications of the diversity
10 receiver not specifically shown or described herein will stem from the foundation provided by this description. However, rather than provide an exhaustive description of all possible preferred embodiments, Applicant exemplifies the principles of the present invention with only those
15 embodiments illustrated by the attached drawings and elucidated by the following description.

Referring particularly to FIG. 1, a diversity receiver shown in an exemplary embodiment generally includes receiver circuitry 10 to which a plurality of antennae
20 12a, 12b, 12c are coupled via an antenna switch 14. In order to maximize the effectiveness of the diversity receiver, each antennae 12a-c has a different location from the other antennae 12, and although only three antennae 12a-c are shown in the exemplary embodiment, any
25 number of antennae may be used for a particular installation, for example, a mobile installation. The antennae 12 are generally spaced one wavelength to several wavelengths apart from each other and are not necessarily in the same plane. The antennae 12 may be installed in a
30 three-dimensional type of configuration to achieve maximum effectiveness in order to avoid all of the antennae 12 receiving a weak transmission signal simultaneously in, for example, high-frequency systems such as in the microwave band and above. For polarity diversity
35 applications, two antennae 12 may be used and connected to two vertically and horizontally polarized antennae. A third antenna may be used, if desired, with a circularly

- 7 -

polarized receive antenna.

The antenna switch 14 is preferably any fast-switching gallium arsenide (GaAs) switch or combination of switches. Alternatively, the antenna switch 14 may be PIN diode switches capable of sub-microsecond switching speeds. The form of the antenna switch 14 depends upon the number of antennae 12 employed in the diversity receiver; for example, the antenna switch 12 may be in the form of a single-pole two-throw radio-frequency (RF) switch for two antennae 12, a single-pole three-throw RF switch for three antennae 12, and so on.

The receiver circuitry 10 in combination with the antennae 12a-c may be configured to receive any type of transmission scheme, but it is preferable for the receiver circuitry 10 and antennae 12a-c to function as a normal frequency-modulation (FM) video receiver. Accordingly, the diversity receiver has a receiver output including a video output 16a and an audio output 16b in communication with the output of the receiver circuit 10.

Each of the antennae 12a-c receives a transmission signal 18 and provides to the antenna switch 14 a respective antenna signal 20a, 20b, 20c indicative of the transmission signal 18 received thereby. The antenna switch 14 provides the receiver circuitry 10 only one of the antenna signals 20a-c at any given time, which is shown generally as antenna signal 20. However, depending upon the quality of the antenna signal 20 provided the receiver circuitry 10, the antenna switch 14 switches away from the antennae 12a-c currently providing the antenna signal 20 to another one of the antennae 12a-c based upon a switching signal 22 generated by diversity circuitry 24, which will be discussed in more detail below.

Generally speaking, the antenna signal 20 is processed by the receiver circuitry 10 which provides a receiver signal 26 indicative of the antenna signal 20 to the receiver outputs 16a, 16b. The receiver circuitry 10 includes a bandpass filter 28 which receives the antenna

- 8 -

signal 20 from the antenna switch 14. An RF amplifier 30 is coupled to the bandpass filter 28 to amplify the signal, which is received by another bandpass filter 32. The signal is then received by a mixer 34 coupled to a
5 local oscillator 39.

In order to provide sufficient image separation, the signal is then received by an intermediate-frequency (IF) bandpass filter 38. The signal is then again amplified by an IF amplifier 40 which provides the signal to a baseband
10 demodulator 42 from which the baseband receiver signal 26 is sent to the receiver outputs 16a, 16b. As the exemplary embodiment shown in FIG. 1 is designed for FM video transmission, the demodulated baseband receiver signal 26, which contains both the video and audio sub-carrier
15 signals of the now-processed transmission signal 18 as well as a noise component, may be further processed by a video de-emphasis circuit 44 and a video amplifier circuit 46 for the video output 16a and by an audio demodulator 48 for the audio output 16b.

The diversity circuitry 24 further processes the demodulated baseband receiver signal 26 in order to determine if the noise in the receiver signal 26 provided the receiver outputs 16a, 16b exceeds a predetermined level. The diversity circuitry 24 includes a bandpass
25 filter 50, for example, a narrow-band ceramic bandpass filter, which receives the receiver signal 26 and extracts therefrom a noise component 52. The bandwidth of the bandpass filter 50 may be in the range of hundreds of kilohertz to several megahertz. The wider the bandwidth,
30 the faster the switching cycle. Further, the bandpass filter 50 may also be another type of ceramic, LC, or crystal bandpass structure having a bandwidth of a few kilohertz to several megahertz.

With additional reference to FIG. 2, the center
35 frequency of the bandpass filter 50 (which is represented by spectrum 56) may be anywhere in the spectrum or region between the highest video signal frequency of the baseband

- 9 -

signal (shown by spectrum 58) and the audio sub-carrier frequency (spectrum 60), and may be about one-half of the bandwidth of the IF filter 38 of the receiver circuitry 10. Accordingly, the noise 52 is located in a region in which the video receiver signal 26 is quiet, i.e., not present.

Generally speaking, it is the nature of FM receivers that output noise (i.e., the level of the noise component 52) is inversely proportional to the input carrier level (i.e., the level of the antenna signal 20). Further, in FM receivers, noise increases rapidly when the input carrier is below a predetermined level, and the noise spectral density (in voltage scale) increases linearly with frequency at the demodulated baseband signal (as represented as the demodulated noise spectrum 62). Generally speaking, the diversity receiver of the present invention uses a higher frequency region for a higher noise output in the baseband receiver signal 26.

As the diversity receiver of the present invention uses noise as the monitoring element, it is not particularly important as to what type of signal is modulating the carrier or transmission signal 18 as long as the spectrum of the transmission signal 18 does not interfere with the noise spectrum at the baseband level. Therefore, the diversity receiver is not limited to video signals alone but is readily applicable to other wideband baseband signals such as digital data transmission, digitized video signal transmissions, and the like.

The bandpass filter 50 provides the noise 52 to a noise circuit 54. The noise circuit 54 includes circuitry for amplifying, rectifying, and filtering the noise 52 to smooth out fluctuations in the noise 52. The noise circuit 54 further includes circuitry for detecting the level of the noise component 52. When the level of the noise 52 exceeds a predetermined level, detection circuitry of the noise circuit 54 provides an antenna switching circuit 64 with a command signal 66. The predetermined level is

- 10 -

preferably set according to the picture quality desired to be maintained at the video output 16a. The antenna switching circuit 64 includes timing and recycling circuitry which will be discussed in more detail below.

5 More specifically, when the antenna signal 20 received by the receiver circuitry 10 is fading, the noise level (i.e., the noise 52) in the receiver signal 26 received by the receiver outputs 16a, 16b rises instantly, as opposed to the slow rise in AM receivers. If the antenna
10 signal 20 fades a substantial level, then the magnitude of the noise 52 will surpass the predetermined level, triggering the antenna switching circuit 64 to provide the switching signal 22 to the antenna switch 14. The antenna switch 14 then switches away from the antenna currently
15 providing the antenna signal 20 to another one of the plurality of antennae 12.

Depending upon the strength of the transmission signal 18, it may be necessary for the antenna switching circuit 64 to cycle through the antennae 12a-c a number of times
20 to arrive at the antenna with an acceptable signal. Depending upon the number of antennae 12 being used in the diversity receiver, each cycle may comprise one or more antenna switches, which will be discussed in more detail below. Under normal or strong transmission signal 18
25 conditions, a single switching between two antennae 12 is usually sufficient to restore a strong antenna signal 20 to the receiving circuit and, ultimately, to the receiver outputs 16a, 16b.

However, when the strength of the transmission signal
30 18 is marginal or at a weak level which yields a noise signal level at the predetermined switching level (for example, in long-range transmission), it is further preferable to have the antenna switching circuit 64 to repeat the switching cycle of the antennae 12a-c with a
35 "freeze" period between the repeated cycles. For example, if the freeze period is about 100 milliseconds, there will be less flickering in the picture at the video output 16a

- 11 -

than if the antennae 12a-c were continuously cycled. This freeze period may be eliminated altogether if signal integrity is more important than the presence of a flickering picture, e.g., in the case of video signal processing applications. Furthermore, if the transmission signal 18 is so weak that the level of the noise component 52 almost continuously exceeds the predetermined level, then a no-diversity select switch 68 coupled to the antenna switching circuit 64 may be enabled to completely switch off any diversity action of the diversity circuitry 24.

The total response time for one switching cycle, depending upon the bandwidth of the bandwidth filter 50, may range from approximately a few microseconds to 100 microseconds; however, other switching-cycle response times are possible. This is equivalent to the duration of less than one line to two lines of the picture on a television screen, meaning that up to two lines of picture information could be lost in the transmission. This is a considerable improvement over the situation of losing a fraction of a second of picture if antenna switching were not initiated. To achieve shorter response times, the smoothing filter circuitry of the noise circuit 54 will have a higher cut-off frequency, which will result in a few more erratic command signals 66 due to noise spikes. A lower cut-off frequency in the smoothing circuitry of the noise circuit 54 will result in possibly longer than 100-microsecond response times so that more than two lines of the video signal will be lost which may, however, still be acceptable for normal viewing. Therefore, depending upon the longest response time allowable, the cut-off frequency of the noise filter 50 may be optimized to reduce the production costs of the filter.

Regarding the number of antenna switching in each cycle under margin transmission signal conditions, the antenna switching circuit 64 will switch between the antennae 12 seven times, for example, in a diversity

- 12 -

receiver having two and three selectable antennae options. This ensures that a different antenna is selected after each cycle sequence with the intention that the newly selected antenna 12 provides a better antenna signal 20 than the previously connected antenna 12. The number of switches in a cycle may also apply to the following antenna configurations: one switch for two antennae 12, four switches for three antennae 12, five switches for four antennae 12, and so on.

Referring to FIG. 3, another exemplary embodiment of a diversity receiver according to the present invention is shown. In this exemplary embodiment of the diversity receiver, elements which are analogous to elements in the exemplary embodiment shown in FIG. 1 have reference numerals with the prefix "1" added thereto. Accordingly, the description of these analogous elements will not be repeated herein.

In this exemplary embodiment, the receiver circuit 110 provides the demodulated baseband receiver signal 126 to the video and audio receiver outputs 116a and 116b and to the noise circuit 154. In this case, the noise circuit 154 does not provide a simple command signal but rather provides a filtered and shaped noise signal 168 to a noise sampling circuit 170. A synchronizing (sync) signal separator 172 is coupled to the video output 116a and provides the noise sampling circuit 170 with a vertical or horizontal blanking reference signal 174. The vertical blanking interval of a video display is when the trace returns to the top of the screen from the bottom of the screen, and the horizontal blanking interval is when the trace returns to the left side of the screen from the right. Accordingly, the diversity circuitry 124 of this diversity receiver samples the noise of the demodulated baseband signal 126 and switches between the antennae 112 during the vertical or blanking intervals of the signal at the video output 116a.

The noise sampling circuit 170 provides a noise signal

- 13 -

of the receiver signal 126 during the blanking interval to a comparator circuit 176 which compares the level of this noise signal to a predetermined level. If the level of the noise signal exceeds the predetermined level, the comparator circuit provides the antenna switching circuit 164 with a command signal 178, thereby initiating a switching sequence as described above. Accordingly, the switching of the antennae 112a-c occurs only during one of the blanking intervals. This embodiment may also be altered to sample the noise from all of the antennae during the blanking intervals and to switch to the antenna with the lowest noise level.

Referring to FIG. 4, a further exemplary embodiment of a diversity receiver according to the present invention is shown. As was the case with the embodiment of FIG. 3, redundant description of elements analogous to those already presented will not be provided, which analogous elements have the prefix "2" added to the reference numeral thereof.

In this exemplary embodiment, a corresponding plurality of receiver circuits 210a, 210b, 210c are provided and coupled to the plurality of antennae 212a, 212b, 212c. Each of the receiving circuits 210a-c is preferably matched in amplitude, phase, and delay time. Further, each of the receiver circuits 210a-c provides a demodulated baseband receiver signal 226a, 226b, 226c to a video switch 280. The video switch 280 in turn provides only one of the receiver signals 226a-c to the video and audio outputs 216a, 216b, shown generally as signal 226. Also respectively receiving the receiver signals 226a-c is a corresponding plurality of noise circuits 254a, 254b, 254c which respectively provide a comparator circuit 282 with filtered and shaped noise signals 268a, 268b, 268c.

The comparator circuit 282 compares the level of the noise of each receiver signal 226a-c to the average level of the noise of all the receiver signals 226a-c, and selects the receiver signal 226 with the least noise

- 14 -

level. In other words, when the noise level of one of the receiver signals 226a-c is lower than the signal 226 currently received by the receiver output 216, the comparator circuit 282 provides a command signal 278 to a switching controller 284. The switching controller 284 in turn is coupled to the video switch 280 and switches away from the current receiver signal 226a-c received at the receiver output 216 to another receiver signal. An optional synchronizing (sync) signal separator 272 may be provided if switching during the vertical or horizontal blanking interval is desired as described above.

Although the embodiment diversity receiver of FIG. 4 would be more expensive than the previously described embodiments, if minimal signal drop out or if the quality of the signal at the receiver outputs 216 is to be maximized, this embodiment may be a viable diversity receiver for such applications in that there is almost no interruption in the video signal.

The foregoing description has focussed on exemplary embodiments which generally illustrate the principles of the present invention. However, as previously mentioned, from the foregoing teachings those skilled in the art will realize obvious modifications and variations of the diversity receiver. Accordingly, these modifications and variations are also within the principles of the present invention as defined by the appended claims.

- 15 -

CLAIMS

What is claimed is:

1. A diversity receiver comprising:

a plurality of antennae for receiving a transmission signal, each said antennae having a different location from the other said antennae and outputting an antenna signal indicative of the transmission signal;

5 a receiver circuit in communication with at least one of said antennae for receiving said antenna signal therefrom, for processing said antenna signal, and having an output which provides a receiver signal indicative of said antenna signal, said receiver signal including noise;

10 a receiver output in communication with the output of said receiver circuit for receiving said receiver signal;

a diversity circuit for extracting the noise from said receiver signal, comparing the level of the noise to a predetermined level, and having an output which provides a command signal when the level of the noise exceeds said predetermined level; and

15 switching circuitry coupled to the output of said diversity circuit for switching from the antenna responsible for said receiver signal at said receiver output upon receiving said command signal to another one of said antennae.

2. The diversity receiver of claim 1 wherein said diversity circuit comprises

a bandpass filter for extracting the noise from said receiver signal.

3. The diversity receiver of claim 2 wherein said bandpass filter has a center frequency higher than the highest frequency of said receiver signal.

4. The diversity receiver of claim 1 further comprising an antenna switch selectively coupled between said plurality of antennae and said receiver circuit and

- 16 -

coupled to said switching circuit.

5. The diversity receiver of claim 1 wherein said receiver circuit is configured to process frequency-modulated transmission signals.

6. The diversity receiver of claim 1 wherein said receiver circuit is configured to process video signals.

7. The diversity receiver of claim 6 wherein:
said receiver output comprises a video output and an audio output; and

5 said diversity receiver further comprises a sync signal separator coupled to said video output for separating a video blanking signal indicative of a video blanking interval of said receiver signal;

said diversity circuit providing said command signal during a video blanking interval; and

10 said switching circuit switching between said antennae during the video blanking interval.

8. The diversity receiver of claim 1 further comprising:

5 a plurality of receiving circuits each respectively coupled to one of said antennae and having an output which provides a receiver signal indicative of said antenna signal received thereby; and

10 a switch coupled said receiver output and selectively coupled to said plurality of receiver circuits for receiving said receiver signals and providing only one of said receiver signals to said receiver output at one time, said switch being further coupled to said switching circuit for switching from one of said receiver circuits to another one of said receiver circuits upon receiving said command signal;

15 wherein said diversity circuit comprises:

a plurality of noise circuits each respectively

- 17 -

coupled to the output of one of said receiver circuits for extracting the noise from a respective said receiver signal; and

20 a comparator circuit for receiving the noise from each of said noise circuits, comparing the noise from each of said receiver signals to the average noise of all said receiver signals, and providing said command signal when the noise of one of said receiver signals
25 is lower than the noise of the receiver signal being received by said receiver output.

9. The diversity receiver of claim 1 further comprising a no-diversity select switch for disabling said switching circuit from switching.

10. A diversity switching method comprising the steps of:

receiving a transmission signal with a plurality of antennae each having a different location, each of the antennae providing an antenna signal;

5 processing one of the antenna signals to provide a receiver signal;

extracting the noise from the receiver signal;

10 comparing the level of the noise to a predetermined level;

generating a command signal when the level of the noise exceeds the predetermined level; and

15 switching from the antenna providing the antenna signal being processed to another antenna upon the generation of the command signal.

11. The method of claim 10 wherein said extracting step comprises the step of extracting the noise from the receiver signal with a bandpass filter.

12. The method of claim 10 wherein said receiving step comprises the step of receiving an FM video transmission

- 18 -

5 signal with a plurality of antennae each having a different location, each of the antennae providing an antenna signal.

13. The method of claim 12 further comprising the step of:

5 extracting a sync signal from the receiver signal which is indicative of the vertical or horizontal video blanking intervals of the receiver signal; and

wherein said switching step comprises the step of:

10 switching from the antenna providing the antenna signal being processed to another antenna upon the generation of the command signal and during a video blanking interval.

14. The method of claim 10 wherein said switching steps comprises the step of switching from the antenna providing the antenna signal being processed to another antenna upon the generation of the command signal continuously until the noise of the receiver signal is below the predetermined level.

15. The method of claim 13 further comprising the step of freezing for a predetermined period of time the switching between the antenna after a predetermined number of switches.

16. A diversity switching method comprising the steps of:

5 receiving a transmission signal with a plurality of antennae each having a different location, each of the antennae providing an antenna signal;

processing each of the antenna signals to provide a plurality of receiver signals;

providing one of the receiver signals to a receiver output;

10 extracting the noise from each of the receiver

- 19 -

signals;

comparing the level of the noise of each receiver signal to the average of the levels of noise of all the receiver signals;

15 generating a command signal when the level of the noise of one of the receiver signals is lower than the noise of the receiver signal provided the receiver output; and

20 switching to the receiver signal having the lower noise upon the generation of the command signal.

17. The method of claim 16 wherein said receiving step comprises the step of receiving an FM video transmission signal with a plurality of antennae each having a different location, each of the antennae providing an antenna signal.

18. The method of claim 17 further comprising the step of:

5 extracting a sync signal from the receiver signal which is indicative of the vertical or horizontal video blanking intervals of the receiver signal; and

wherein said switching step comprises the step of:

switching to the receiver signal having the lower noise upon the generation of the command signal and during a video blanking interval.

-20-

AMENDED CLAIMS

[received by the International Bureau on 19 January 1997 (19.01.97); original claim 5 cancelled; original claims 1,2,8 and 10 amended; new claims 19-22 added; remaining claims unchanged (6 pages)]

1. A diversity receiver comprising:

a plurality of antennae for receiving a frequency-modulated (FM) transmission signal, each of said antennae having a different location from the other said antennae and outputting an antenna signal indicative of the FM transmission signal;

5 a receiver circuit in communication with at least one of said antennae for receiving said antenna signal therefrom, for processing said antenna signal, and having an output which provides a receiver signal indicative of said antenna signal, said receiver signal including noise;

10 a receiver output in communication with the output of said receiver circuit for receiving said receiver signal;

15 a diversity circuit for extracting the noise from said receiver signal, comparing the level of the noise to a predetermined level, and generating a command signal when the level of the noise exceeds said predetermined level, said diversity circuit having an output for providing said command signal; and

20 switching circuitry coupled to the output of said diversity circuit for switching from the antenna responsible for said receiver signal at said receiver output upon receiving said command signal to another one of said antennae.

2. The diversity receiver of claim 1 wherein said diversity circuit comprises a bandpass filter for extracting the noise from said receiver signal.

3. The diversity receiver of claim 2 wherein said bandpass filter has a center frequency higher than the highest frequency of said receiver signal.

4. The diversity receiver of claim 1 further comprising an antenna switch selectively coupled between

-21-

said plurality of antennae and said receiver circuit and coupled to said switching circuit.

6. The diversity receiver of claim 1 wherein said receiver circuit is configured to process video signals.

7. The diversity receiver of claim 6 wherein:

said receiver output comprises a video output and an audio output; and

5 said diversity receiver further comprises a sync signal separator coupled to said video output for separating a video blanking signal indicative of a video blanking interval of said receiver signal;

said diversity circuit providing said command signal during a video blanking interval; and

10 said switching circuit switching between said antennae during the video blanking interval.

8. A diversity receiver comprising:

a plurality of antennae for receiving a transmission signal, each of said antennae having a different location from the other said antennae and outputting an antenna signal indicative of the transmission signal;

5 a plurality of receiving circuits each respectively coupled to one of said antennae and having an output which provides a receiver signal indicative of said antenna signal received thereby, each of said receiving circuits for receiving said antenna signal from said antenna coupled thereto and for processing said antenna signal, said receiver signal including noise;

10 a receiver output in communication with the outputs of each of said receiver circuits for receiving said receiver signals;

15 a diversity circuit for extracting the noise from said receiver signals, comparing the level of the noise to a predetermined level, and having an output which provides

20 a command signal when the level of the noise exceeds said predetermined level;

a switch coupled said receiver output and selectively coupled to said plurality of receiver circuits for receiving said receiver signals and providing only one of said receiver signals to said receiver output at one time, 25 said switch being further coupled to said switching circuit for switching from one of said receiver circuits to another one of said receiver circuits upon receiving said command signal;

said diversity circuit including:

30 a plurality of noise circuits each respectively coupled to the output of one of said receiver circuits for extracting the noise from a respective said receiver signal; and

a comparator circuit for receiving the noise from 35 each of said noise circuits, comparing the noise from each of said receiver signals to the average noise of all said receiver signals, and providing said command signal when the noise of one of said receiver signals is lower than the noise of the receiver signal being 40 received by said receiver output.

9. The diversity receiver of claim 1 further comprising a no-diversity select switch for disabling said switching circuit from switching.

10. A diversity switching method comprising the steps of:

5 receiving a frequency-modulated (FM) transmission signal with a plurality of antennae each having a different location, each of the antennae providing an antenna signal indicative of the FM transmission signal received thereby;

processing one of the antenna signals to provide a receiver signal;

10 extracting the noise from the receiver signal;

-23-

comparing the level of the noise to a predetermined level;

generating a command signal when the level of the noise exceeds the predetermined level; and

15 switching from the antenna providing the antenna signal being processed to another antenna upon the generation of the command signal.

11. The method of claim 10 wherein said extracting step comprises the step of extracting the noise from the receiver signal with a bandpass filter.

12. The method of claim 10 wherein said receiving step comprises the step of receiving an FM video transmission signal with a plurality of antennae each having a different location, each of the antennae providing an
5 antenna signal.

13. The method of claim 12 further comprising the step of:

extracting a sync signal from the receiver signal which is indicative of the vertical or horizontal video blanking intervals of the receiver signal; and
5

wherein said switching step comprises the step of:
switching from the antenna providing the antenna signal being processed to another antenna upon the generation of the command signal and during a video
10 blanking interval.

14. The method of claim 10 wherein said switching steps comprises the step of switching from the antenna providing the antenna signal being processed to another antenna upon the generation of the command signal
5 continuously until the noise of the receiver signal is below the predetermined level.

-24-

15. The method of claim 13 further comprising the step of freezing for a predetermined period of time the switching between the antenna after a predetermined number of switches.

16. A diversity switching method comprising the steps of:

receiving a transmission signal with a plurality of antennae each having a different location, each of the antennae providing an antenna signal;

processing each of the antenna signals to provide a plurality of receiver signals;

providing one of the receiver signals to a receiver output;

extracting the noise from each of the receiver signals;

comparing the level of the noise of each receiver signal to the average of the levels of noise of all the receiver signals;

generating a command signal when the level of the noise of one of the receiver signals is lower than the noise of the receiver signal provided the receiver output; and

switching to the receiver signal having the lower noise upon the generation of the command signal.

17. The method of claim 16 wherein said receiving step comprises the step of receiving an FM video transmission signal with a plurality of antennae each having a different location, each of the antennae providing an antenna signal.

18. The method of claim 17 further comprising the step of:

extracting a sync signal from the receiver signal which is indicative of the vertical or horizontal video blanking intervals of the receiver signal; and

-25-

wherein said switching step comprises the step of:
switching to the receiver signal having the lower noise upon the generation of the command signal and during a video blanking interval.

19. The diversity receiver of claim 1 wherein said diversity circuit uses the noise of said receiver signal exclusively in generating said command signal.

20. The diversity receiver of claim 1 wherein said diversity circuit and said switching circuitry have a response time in switching from one of said antennae to another said antenna;
said response time being less than about 10 microseconds.

21. The method of claim 10 wherein said command signal is generated exclusively using the noise of the receiver signal.

22. The method of claim 10 wherein said steps of extracting, comparing, generating, and switching collectively have a response time of less than about 10 microseconds.

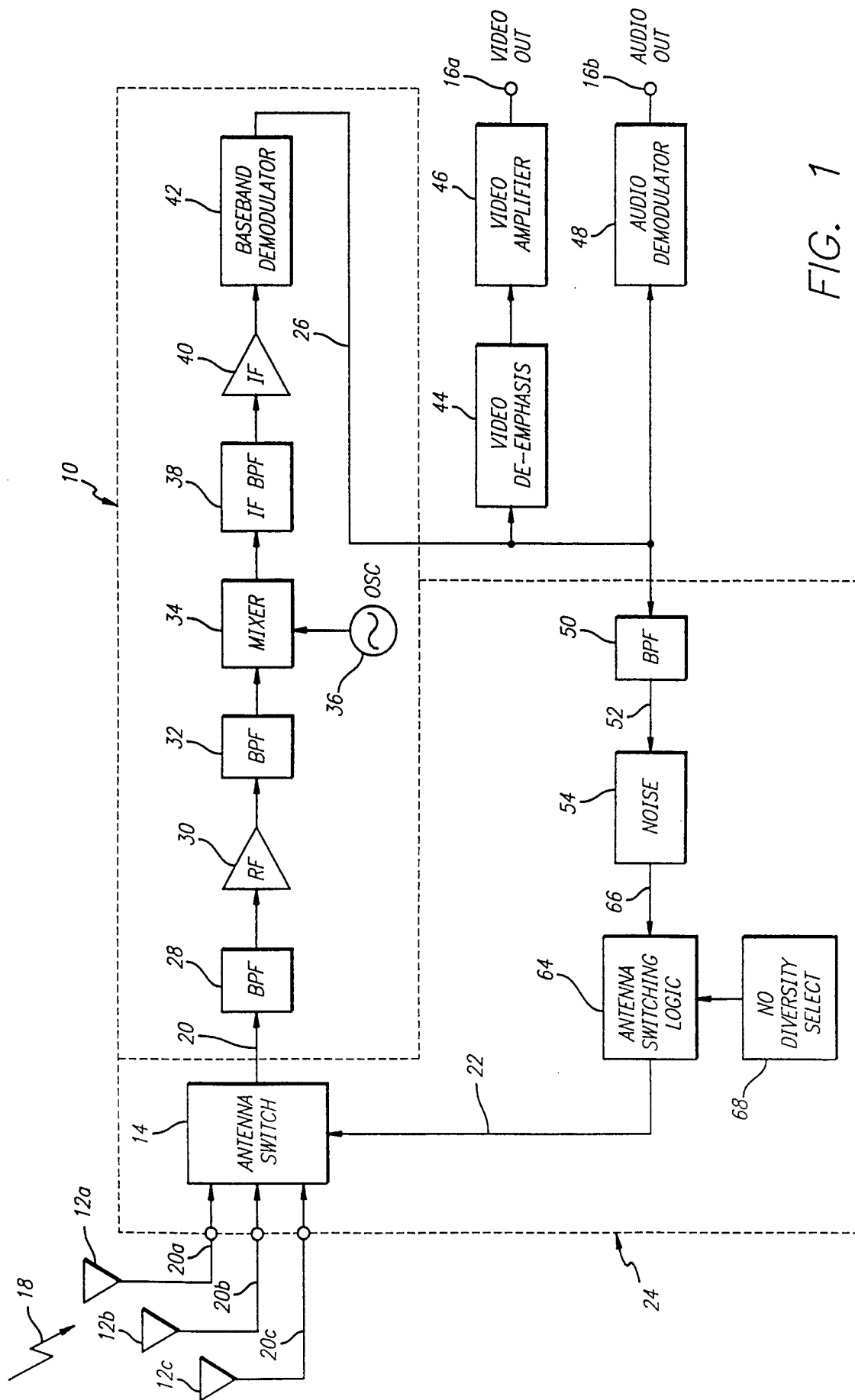


FIG. 1

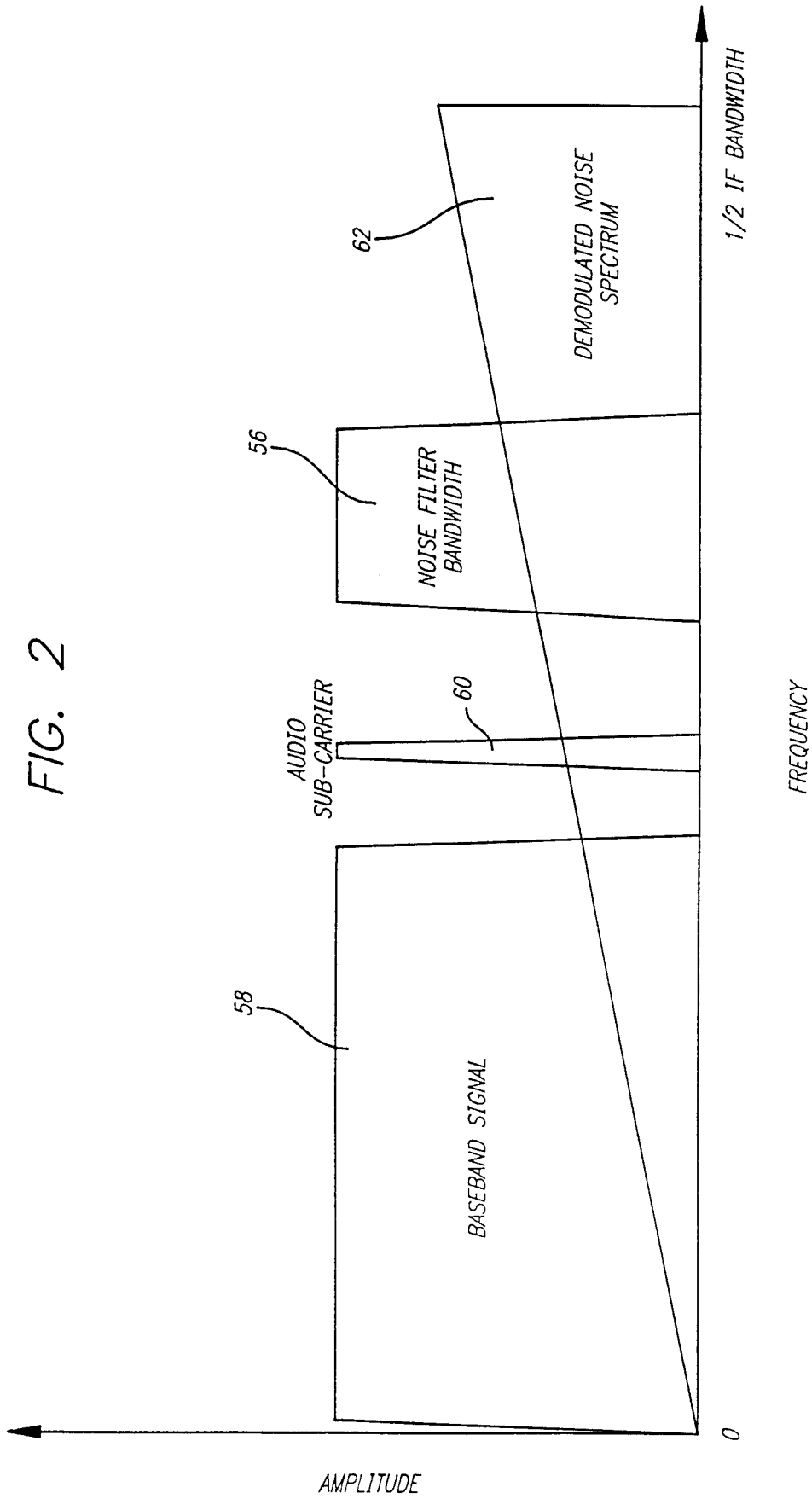


FIG. 2

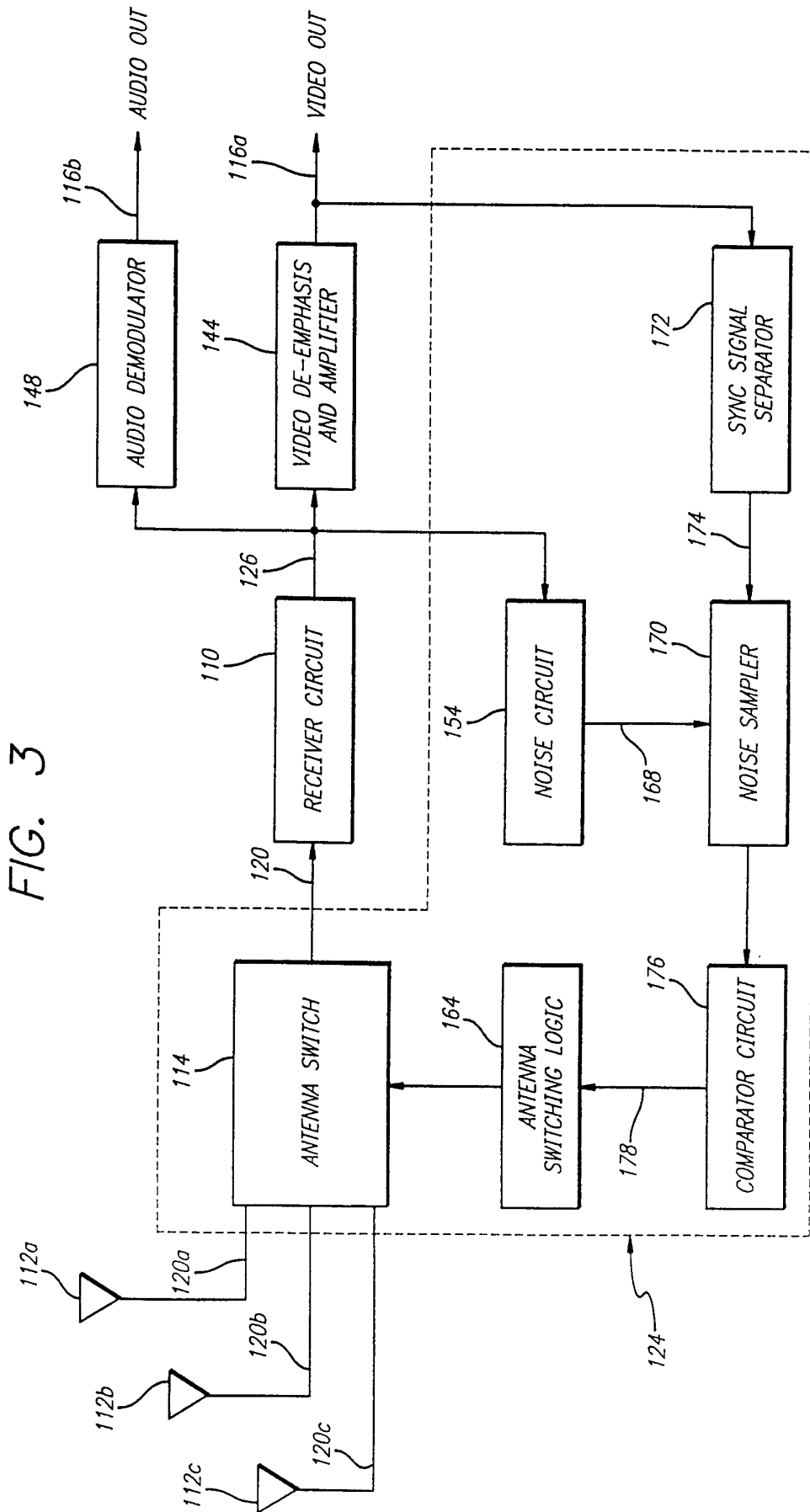


FIG. 3

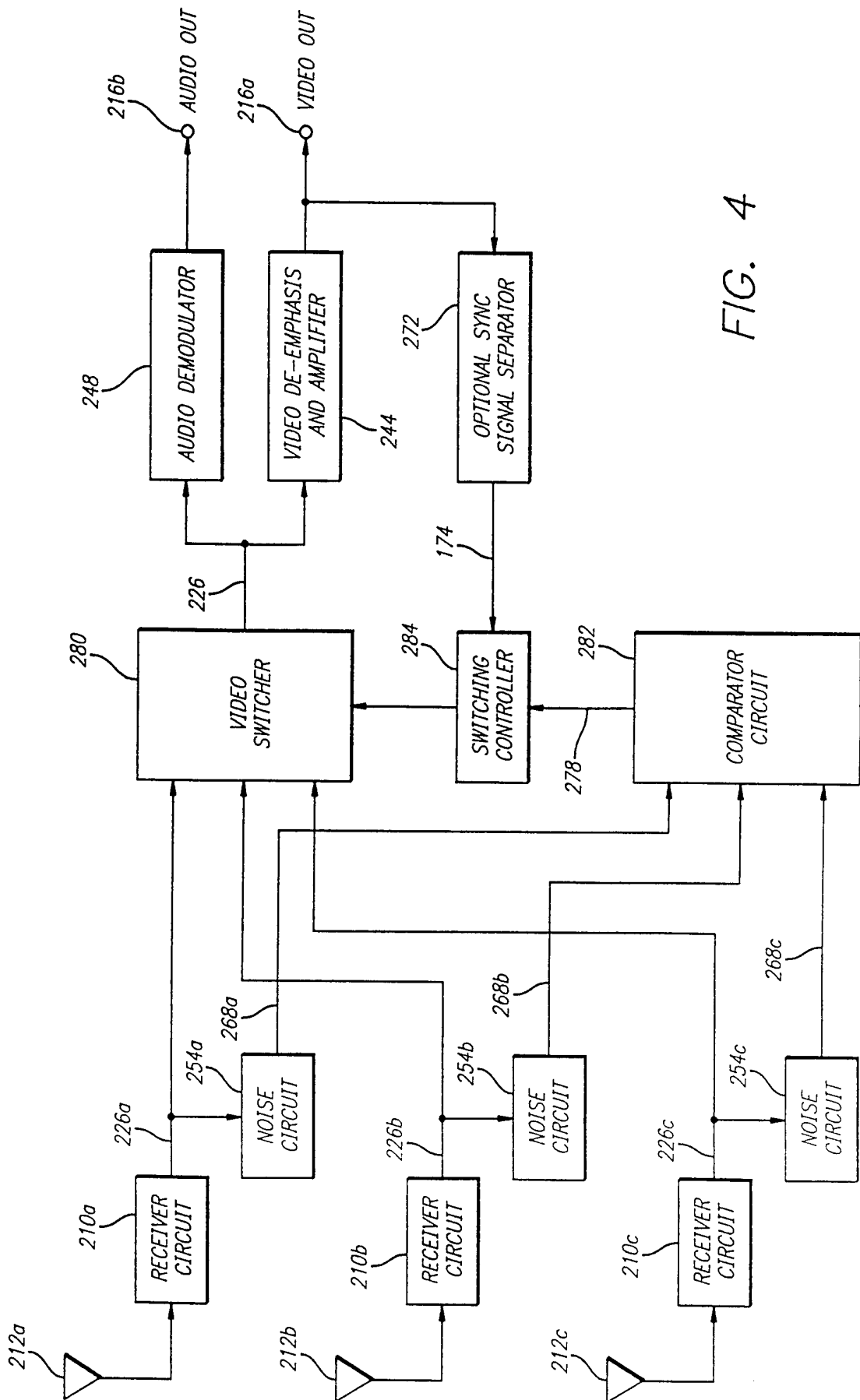


FIG. 4

INTERNATIONAL SEARCH REPORT

International application No.
PCT/US96/14255

A. CLASSIFICATION OF SUBJECT MATTER

IPC(6) :H04B 1/10, 7/08
US CL : 348/725

According to International Patent Classification (IPC) or to both national classification and IPC

B. FIELDS SEARCHED

Minimum documentation searched (classification system followed by classification symbols)

U.S. : 348/725, 706, 876; 355/277.1 277.2 122; 343/876

Documentation searched other than minimum documentation to the extent that such documents are included in the fields searched

Electronic data base consulted during the international search (name of data base and, where practicable, search terms used)

C. DOCUMENTS CONSIDERED TO BE RELEVANT

Category*	Citation of document, with indication, where appropriate, of the relevant passages	Relevant to claim No.
Y --- A	JP, A, 07-030472(MATSUSHITA) 31 JANUARY 1995, FIGURES 1-5.	1-7, 9-15 ----- 6-8, 16-18
Y --- A	US, A, 5,335,010 (LINDEMEIER ET AL.), 02 AUGUST 1994, FIGURES 1-11.	1-7, 9-15 ----- 8, 16-18

Further documents are listed in the continuation of Box C. See patent family annex.

* Special categories of cited documents:	*T* later document published after the international filing date or priority date and not in conflict with the application but cited to understand the principle or theory underlying the invention
A document defining the general state of the art which is not considered to be of particular relevance	*X* document of particular relevance; the claimed invention cannot be considered novel or cannot be considered to involve an inventive step when the document is taken alone
E earlier document published on or after the international filing date	*Y* document of particular relevance; the claimed invention cannot be considered to involve an inventive step when the document is combined with one or more other such documents, such combination being obvious to a person skilled in the art
L document which may throw doubts on priority claim(s) or which is cited to establish the publication date of another citation or other special reason (as specified)	*Z* document member of the same patent family
O document referring to an oral disclosure, use, exhibition or other means	
P document published prior to the international filing date but later than the priority date claimed	

Date of the actual completion of the international search

22 OCTOBER 1996

Date of mailing of the international search report

19 NOV 1996

Name and mailing address of the ISA/US
Commissioner of Patents and Trademarks
Box PCT
Washington, D.C. 20231

Facsimile No. (703) 305-3230

Authorized officer

NATHAN J. FLYNN

Telephone No. (703) 305-4700