



US00D364853S

United States Patent [19]

[11] Patent Number: **Des. 364,853**

Ojeda

[45] Date of Patent: ****Dec. 5, 1995**

[54] **PORT REPLICATOR FOR EXTENDING THE FUNCTIONS OF A PORTABLE PERSONAL COMPUTER**

[57] **CLAIM**

The ornamental design for a port replicator for extending the functions of a portable personal computer, as shown and described.

[75] Inventor: **Peter A. Ojeda**, St. Joseph, Mich.

DESCRIPTION

[73] Assignee: **Zenith Data Systems Corporation**, Buffalo Grove, Ill.

[**] Term: **14 Years**

FIG. 1 is a front perspective view of the port replicator for extending the functions of a portable personal computer showing my new design with a portable computer being shown in broken lines for illustrative purposes only and forming no part of the claimed design;

[21] Appl. No.: **27,669**

[22] Filed: **Aug. 26, 1994**

FIG. 2 is an enlarged rear perspective view of the port replicator shown in FIG. 1 with the connector and accessory end being illustrated and the accessories being shown in broken lines for illustrative purposes only and forming no part of the claimed design;

[52] U.S. Cl. **D14/107**

[58] Field of Search D14/100, 107, D14/114; D13/184, 199; 361/683-686; 364/708.1; 439/95, 284, 357, 372

FIG. 3 is a front elevational view of the port replicator shown in FIG. 1;

[56] References Cited

U.S. PATENT DOCUMENTS

- D. 313,404 1/1991 Myers D14/107
- D. 342,060 12/1993 Iino D14/107
- 5,182,698 1/1993 Kobayashi et al. D14/107 X

FIG. 4 is a rear elevational view of the port replication shown in FIG. 1;

OTHER PUBLICATIONS

IBM *Serial Parallel Aclapter*, Oct. 8, 1986.

Primary Examiner—Freda S. Nunn

Attorney, Agent, or Firm—Fitch, Even, Tabin & Flannery

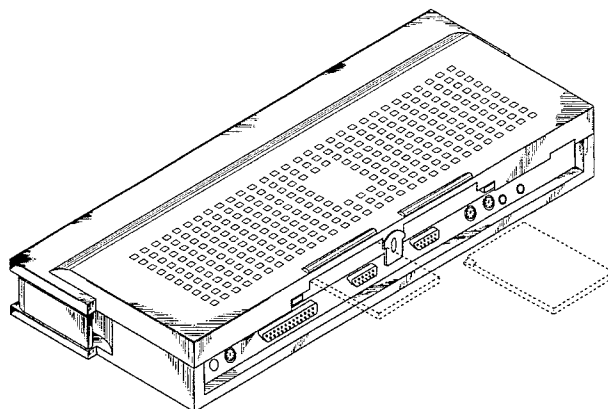
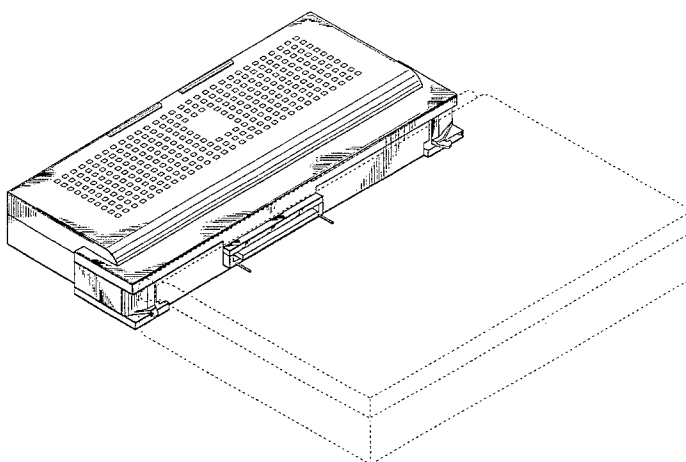
FIG. 5 is a side elevational view of one side of the port replicator illustrated in FIG. 1;

FIG. 6 is a side elevational view of the port replicator illustrated in FIG. 1;

FIG. 7 is a top plan view of the port replicator illustrated in FIG. 1; and,

FIG. 8 is a bottom plan view of the port replicator illustrated in FIG. 1.

1 Claim, 5 Drawing Sheets



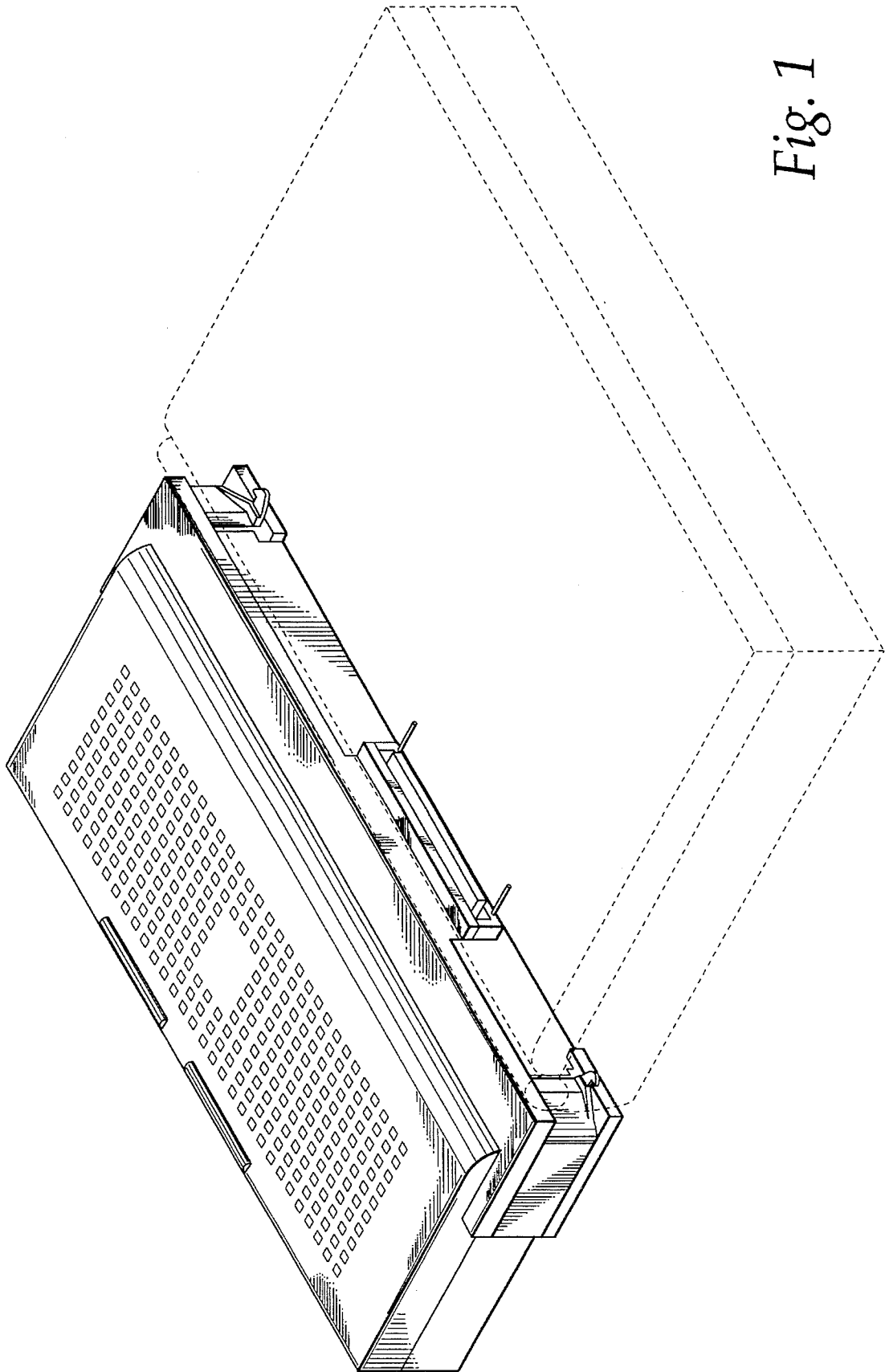


Fig. 1

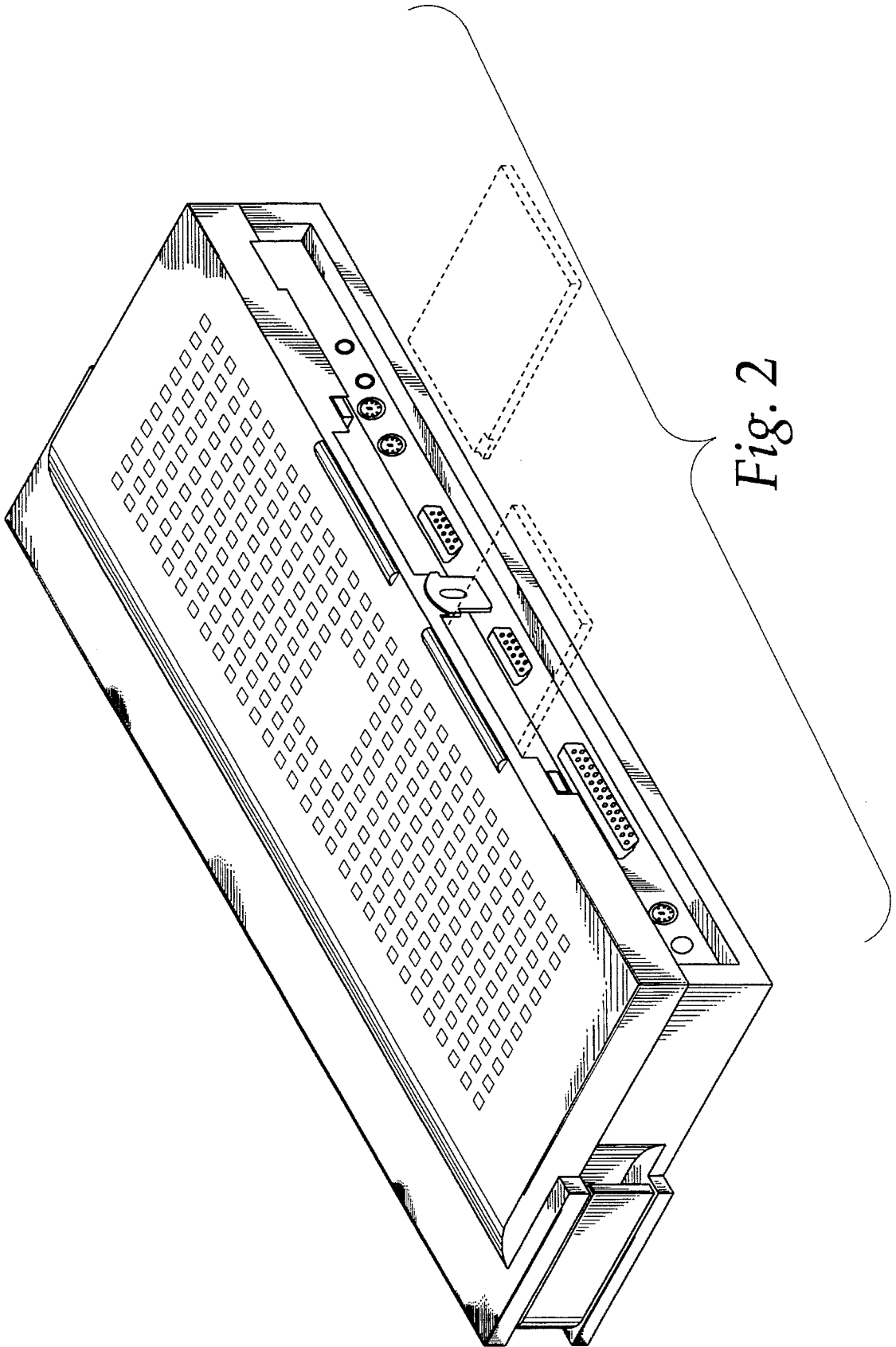


Fig. 2

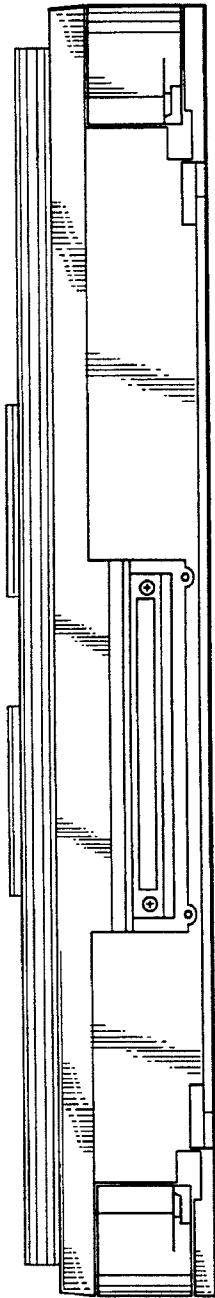


Fig. 3

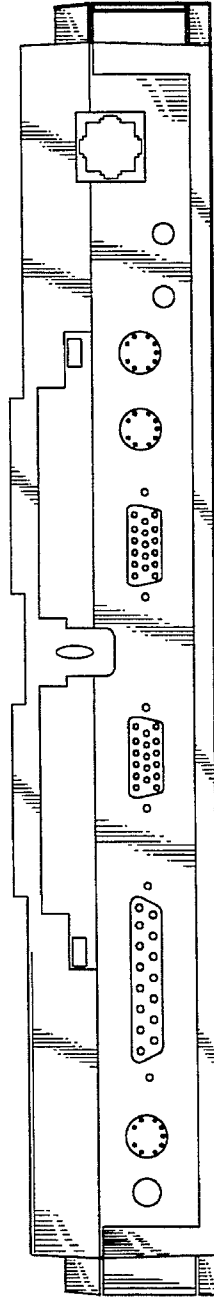


Fig. 4

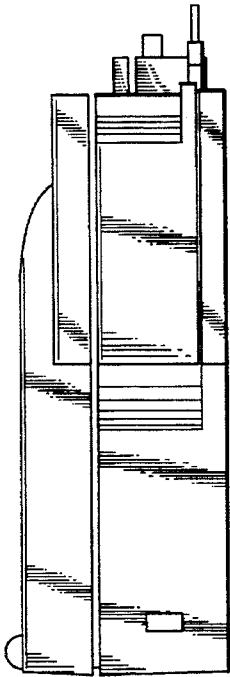


Fig. 5

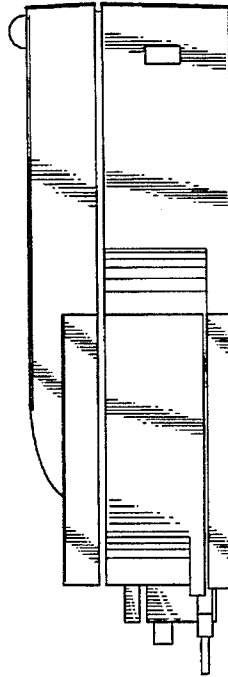


Fig. 6

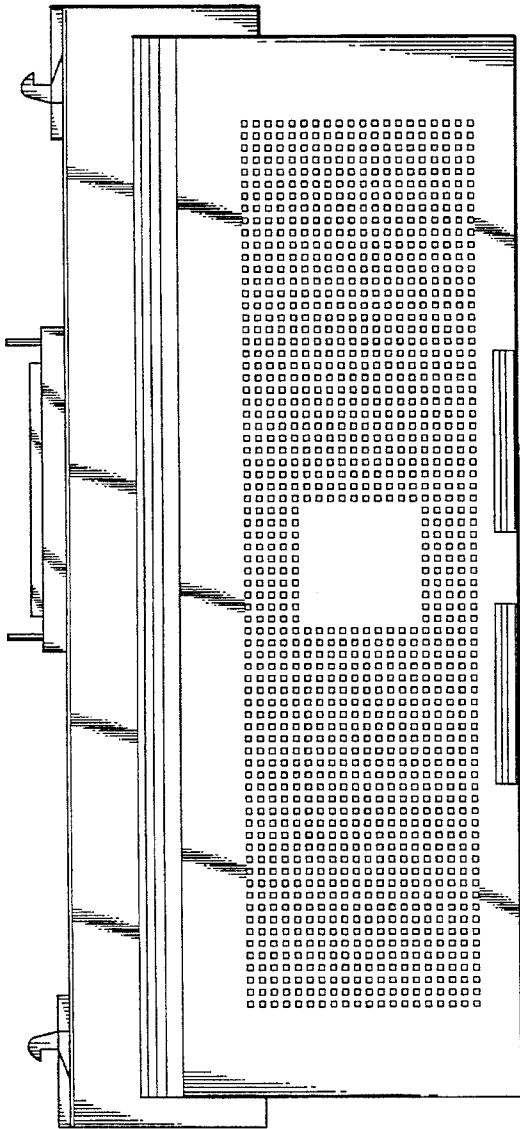


Fig. 7

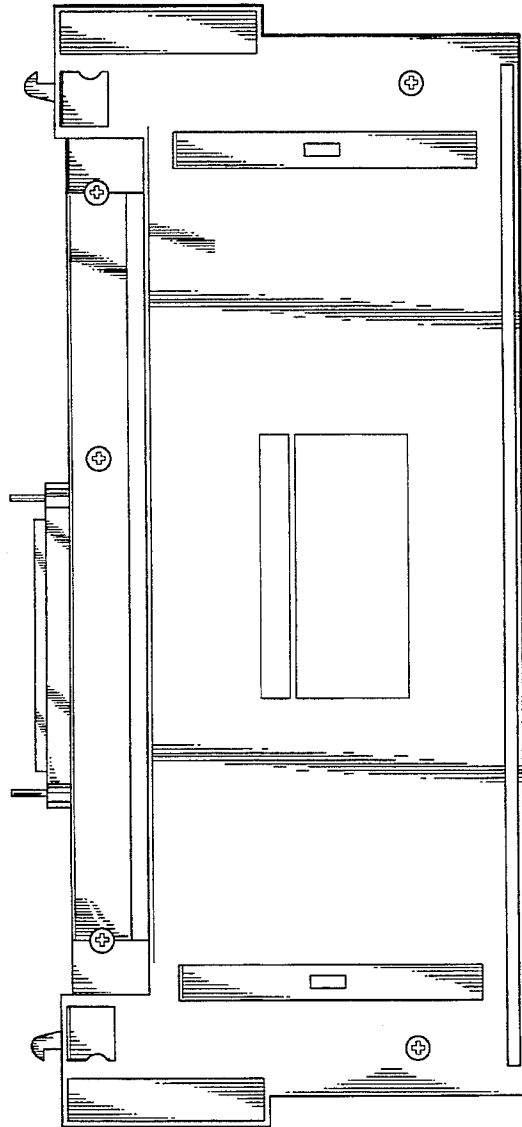


Fig. 8