



US0D1027683S

(12) **United States Design Patent**
Imsand

(10) **Patent No.:** **US D1,027,683 S**

(45) **Date of Patent:** **** May 21, 2024**

(54) **MEASURING TAPE DEVICE**

(71) Applicant: **APEX BRANDS, INC.**, Apex, NC
(US)

(72) Inventor: **Nicholas Ryan Imsand**, Huntersville,
NC (US)

(73) Assignee: **Apex Brands, Inc.**, Apex, NC (US)

(**) Term: **15 Years**

(21) Appl. No.: **29/738,235**

(22) Filed: **Jun. 16, 2020**

(51) **LOC (14) Cl.** **10-04**

(52) **U.S. Cl.**
USPC **D10/72**

(58) **Field of Classification Search**
USPC D10/106.4, 69, 78, 199, 72, 60, 70, 62;
D32/14
CPC H02G 1/08; G01B 3/1005; G01B 3/1041;
G01B 11/00; B65H 75/34; B43L 9/04
See application file for complete search history.

(56) **References Cited**

U.S. PATENT DOCUMENTS

4,189,107	A *	2/1980	Quenot	G01B 3/1005 242/390.1
D311,697	S *	10/1990	Kang	D10/72
D324,346	S *	3/1992	Ogasawara	D10/72
D422,227	S *	4/2000	Lin	D10/72
D445,045	S *	7/2001	Olson	D10/72
D572,614	S *	7/2008	McEwan	D10/72
D627,619	S *	11/2010	Demers	D8/107

D639,190	S *	6/2011	Cook	D10/72
D902,060	S *	11/2020	Anderson	D10/72
D928,001	S *	8/2021	Wilson	D10/72

* cited by examiner

Primary Examiner — George D. Kirschbaum

Assistant Examiner — Antoinette Martine Suiter

(74) *Attorney, Agent, or Firm* — Burr & Forman LLP

(57) **CLAIM**

The ornamental design for a measuring tape device, as shown and described.

DESCRIPTION

FIG. 1 is a perspective view of a measuring tape device of the present invention;

FIG. 2 is a front view of the measuring tape device of FIG. 1;

FIG. 3 is a rear view of the measuring tape device of FIG. 1;

FIG. 4 is a right side view of the measuring tape device of FIG. 1;

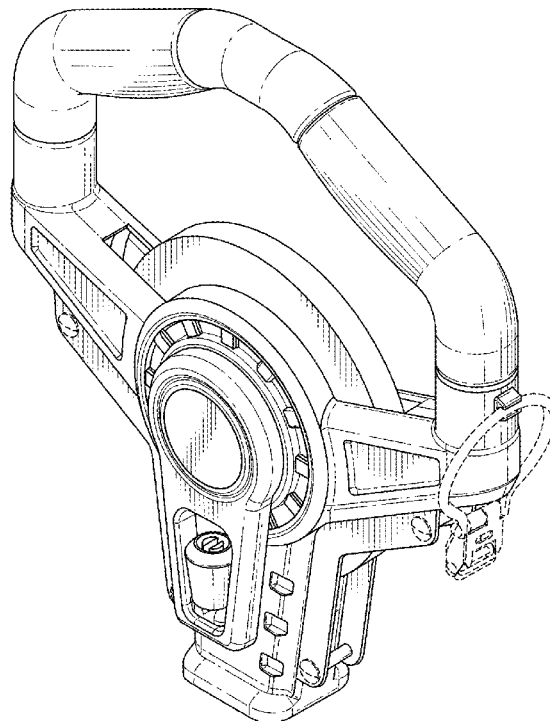
FIG. 5 is a left side view of the measuring tape device of FIG. 1;

FIG. 6 is a top view of the measuring tape device of FIG. 1; and,

FIG. 7 is a bottom view of the measuring tape device of FIG. 1.

The broken lines of the measuring tape device in FIGS. 1-7 are illustrative of portions of the measuring tape device that form no part of the claimed design.

1 Claim, 6 Drawing Sheets



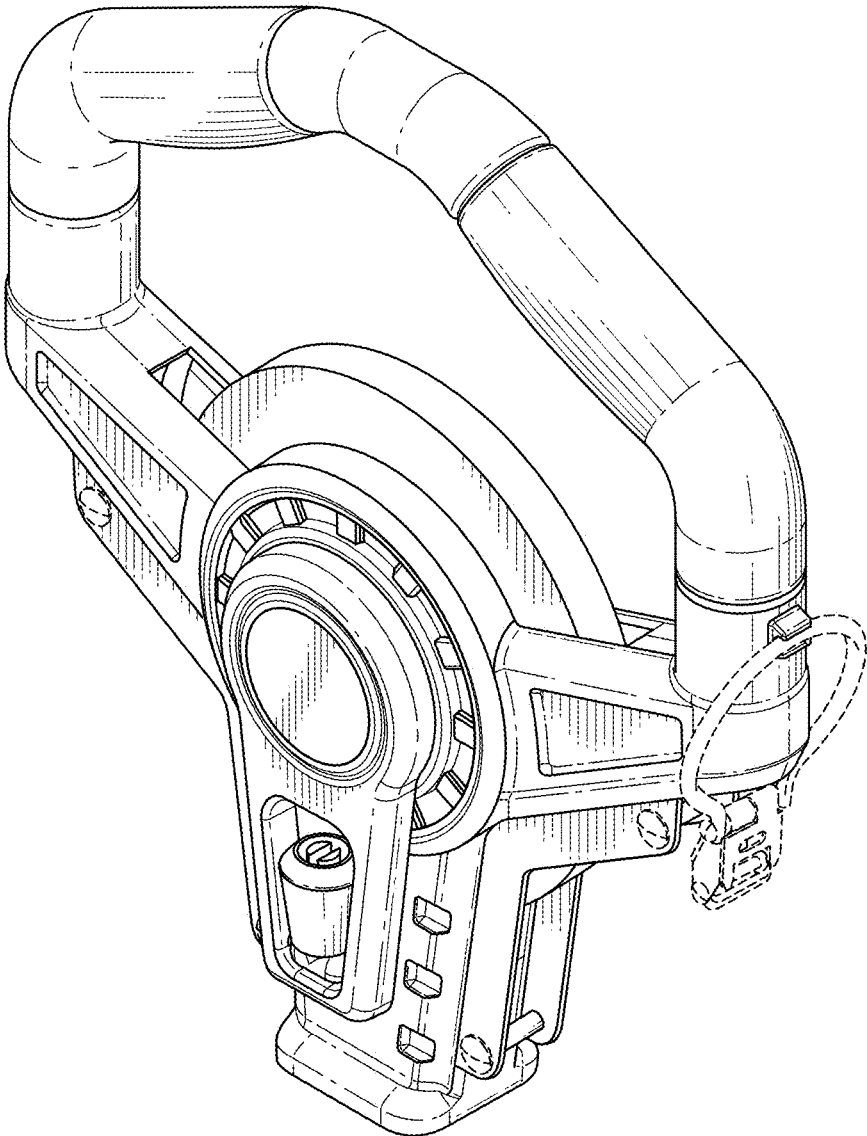


FIG. 1

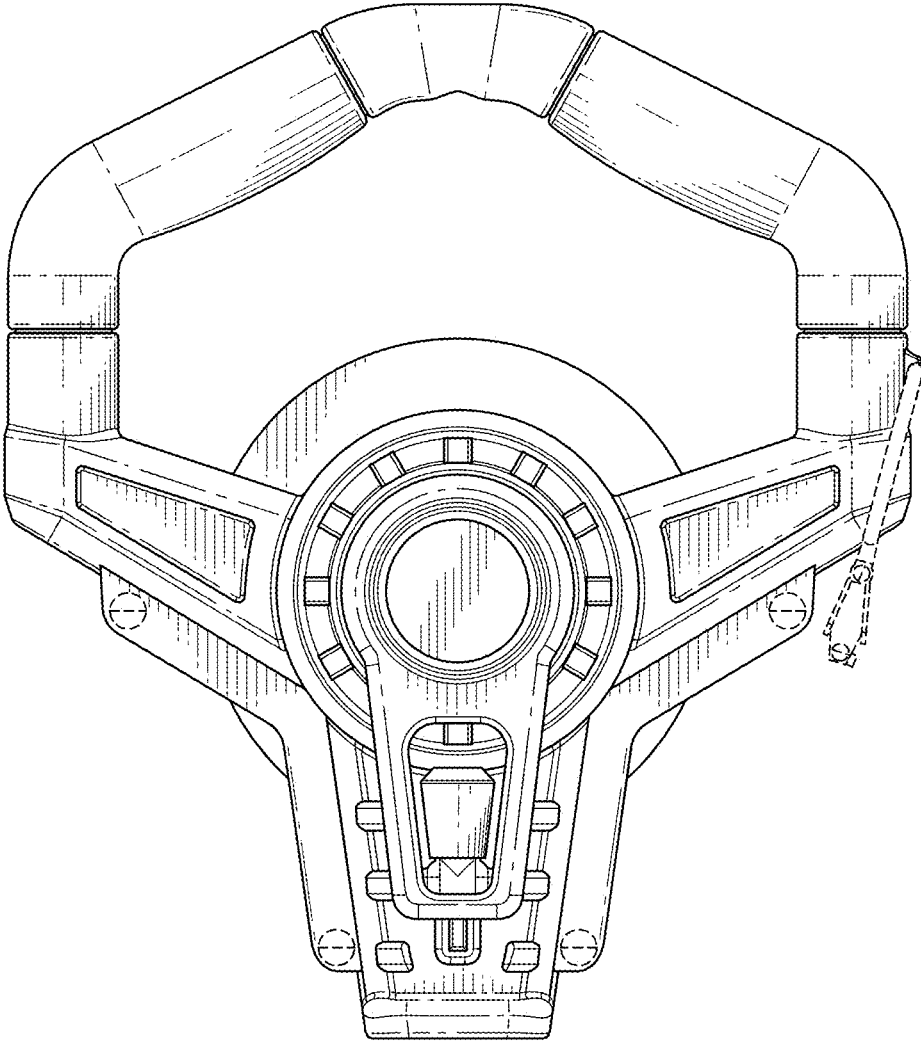


FIG. 2

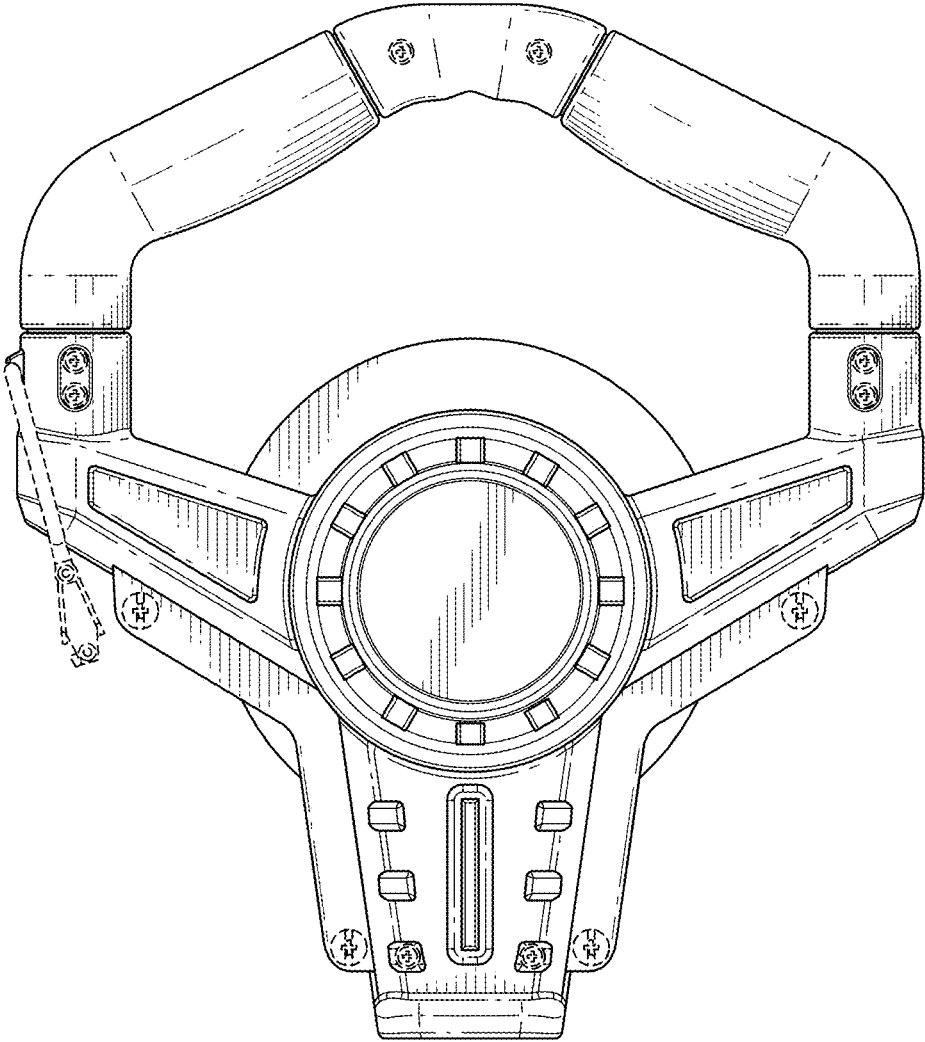


FIG. 3

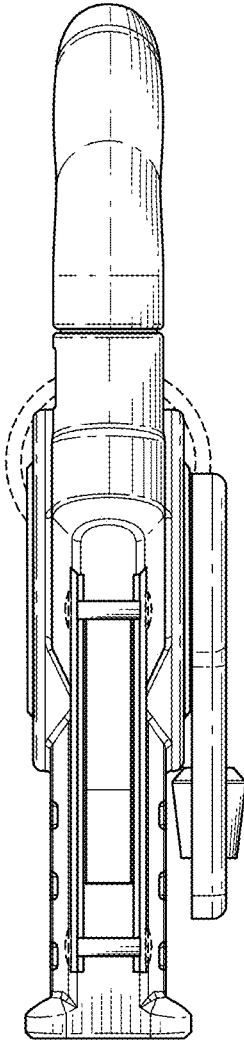


FIG. 4

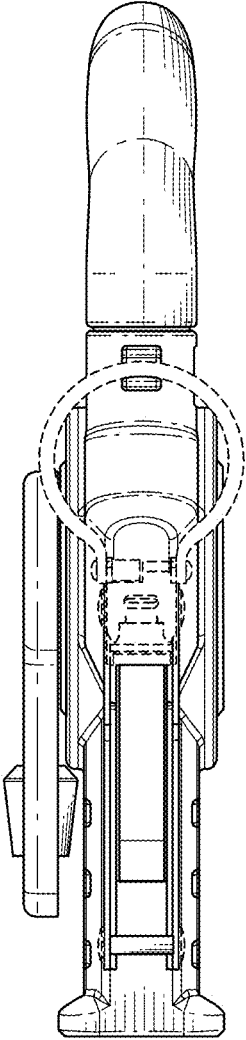


FIG. 5

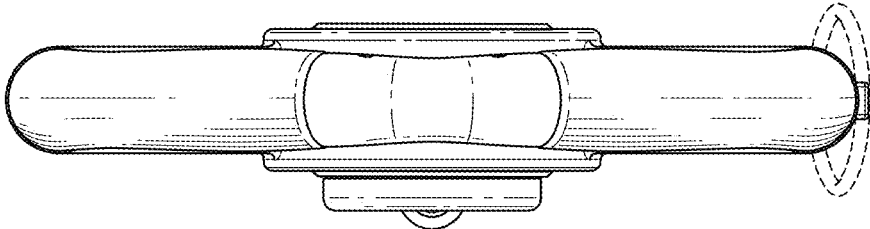


FIG. 6

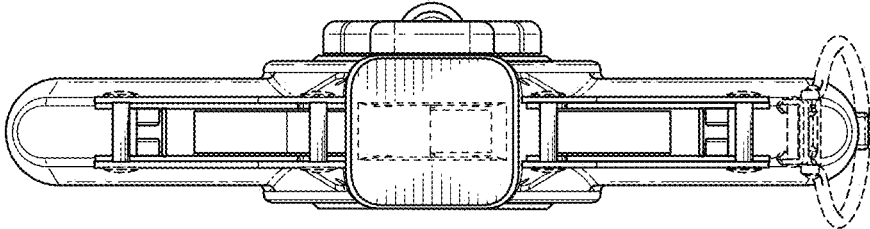


FIG. 7