



(12) **United States Design Patent**
Chang et al.

(10) **Patent No.:** **US D739,393 S**
(45) **Date of Patent:** **** Sep. 22, 2015**

(54) **MOBILE PHONE**

(71) Applicant: **LG Electronics Inc.**, Seoul (KR)

(72) Inventors: **Heeju Chang**, Gyeonggi-do (KR);
Hyon Kim, Gyeonggi-do (KR);
Byeongwook Kim, Seoul (KR)

(73) Assignee: **LG Electronics Inc.**, Seoul (KR)

(**) Term: **14 Years**

(21) Appl. No.: **29/477,705**

(22) Filed: **Dec. 26, 2013**

(30) **Foreign Application Priority Data**

Jun. 28, 2013 (KR) 30-2013-0033542

(51) **LOC (10) Cl.** **14-03**

(52) **U.S. Cl.**
USPC **D14/248**

(58) **Field of Classification Search**
USPC D14/138 G, 138 AC, 138 AD, 138 R,
D14/203.1, 203.3, 203.5, 203.7, 218, 248,
D14/257, 250, 341, 441, 443, 496;
D21/517, 329, 331; D13/168; D10/65,
D10/78; 455/556.1, 556.2, 575.1, 575.3,
455/575.4, 566; 379/433.01, 433.04;
361/679.3, 679.56
CPC ... H04M 1/02; H04M 1/0202; H04M 1/0235;
H04M 1/0237; H04M 1/0239; H04M 2250/22;
H04M 1/03; H04M 1/72519
See application file for complete search history.

(56) **References Cited**

U.S. PATENT DOCUMENTS

- D593,057 S * 5/2009 Harju D14/138 AD
- D603,355 S * 11/2009 Tkachuk D14/138 AD
- D606,506 S * 12/2009 Choi et al. D14/138 AD
- D609,210 S * 2/2010 Sohn et al. D14/138 AD
- D622,714 S * 8/2010 He D14/248
- D623,165 S * 9/2010 Lim et al. D14/138 G
- D645,441 S * 9/2011 Choe et al. D14/138 G

- D648,299 S * 11/2011 Kim D14/138 G
- D656,118 S * 3/2012 Kim et al. D14/138 G
- D656,477 S * 3/2012 Yi et al. D14/138 G
- D661,277 S * 6/2012 Kim D14/138 G

(Continued)

OTHER PUBLICATIONS

LG Optimus 2X, announced Dec. 2010, [online], [site visited May 12, 2014]. Available from Internet, <URL: http://www.gsmarena.com/lg_optimus_2x-3598.php>.*

LG G2, announced Aug. 2014, [online], [site visited May 12, 2014]. Available from Internet, <URL: http://www.gsmarena.com/lg_g2-5543.php>.*

(Continued)

Primary Examiner — Jeffrey D Asch

Assistant Examiner — Sanjeev Paul

(74) *Attorney, Agent, or Firm* — Morgan, Lewis & Bockius LLP

(57) **CLAIM**

The ornamental design for a mobile phone, as shown and described.

DESCRIPTION

FIG. 1 is a rear perspective view of a mobile phone showing our new design;

FIG. 2 is a front view thereof;

FIG. 3 is a rear view thereof;

FIG. 4 is a left side view thereof;

FIG. 5 is a right side view thereof;

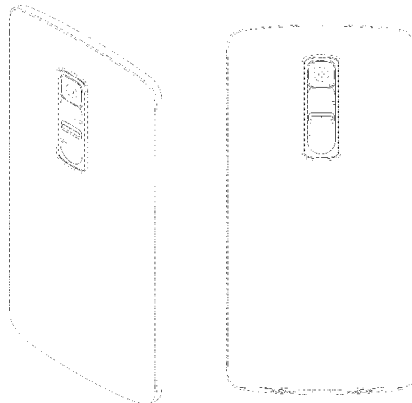
FIG. 6 is a top plan view thereof;

FIG. 7 is a bottom plan view thereof; and,

FIG. 8 is a front perspective view thereof.

The broken lines shown in the figures that are within the claimed surfaces, are immediately adjacent to the shaded areas, and define unshaded regions, represent the bounds of the claim, while all other broken lines are directed to environment; the broken lines form no part of the claimed design. The dash-dot broken lines define the bounds of the claimed design and form no part thereof.

1 Claim, 7 Drawing Sheets



(56)

References Cited

U.S. PATENT DOCUMENTS

D668,628	S *	10/2012	Ha et al.	D14/138	G
D677,642	S *	3/2013	Park	D14/138	G
D686,586	S *	7/2013	Cho et al.	D14/138	G
D687,404	S *	8/2013	Yoshimura	D14/138	G
D693,324	S *	11/2013	Wang	D14/138	G
D696,215	S *	12/2013	Li	D14/138	G
D703,179	S *	4/2014	Choe et al.	D14/138	G
D707,645	S *	6/2014	Kim et al.	D14/138	G
D709,474	S *	7/2014	Kim et al.	D14/138	G
D711,341	S *	8/2014	Shin et al.	D14/138	G
D715,246	S *	10/2014	Oh	D14/138	G
D716,748	S *	11/2014	Wang	D14/138	G
D717,263	S *	11/2014	Wozniak	D14/138	G
D719,124	S *	12/2014	Kim et al.	D14/138	G
D719,941	S *	12/2014	Kim et al.	D14/248	
D721,343	S *	1/2015	Kim et al.	D14/138	G
D722,581	S *	2/2015	Kim et al.	D14/138	G
2012/0013781	A1 *	1/2012	Yamagiwa	348/333.01	
2014/0080542	A1 *	3/2014	Pan et al.	455/556.1	

OTHER PUBLICATIONS

LG G Flex, announced Oct. 2013, [online], [site visited May 14, 2014]. Available from Internet, <URL: http://www.gsmarena.com/lg_g_flex-5806.php>.*

LG G Vista, announced Aug. 2014, [online], [site visited May 12, 2014]. Available from Internet, <URL: http://www.gsmarena.com/lg_g_vista-6569.php>.*

LG G3 Dual-LTE, announced Oct. 2014, [online], [site visited May 12, 2015]. Available from Internet, <URL: http://www.gsmarena.com/lg_g3_dual_lte-6764.php>.*

LG G3, announced May 2014, [online], [site visited May 12, 2015]. Available from Internet, <URL: http://www.gsmarena.com/lg_g3-6294.php>.*

LG G3 Screen, announced Oct. 2014, [online], [site visited May 12, 2015]. Available from Internet, <URL: http://www.gsmarena.com/lg_g3_screen-6750.php>.*

LG G4, announced Apr. 2015, [online], [site visited May 14, 2015]. Available from Internet, <URL: http://www.gsmarena.com/lg_g4-6901.php>.*

* cited by examiner

FIG. 1

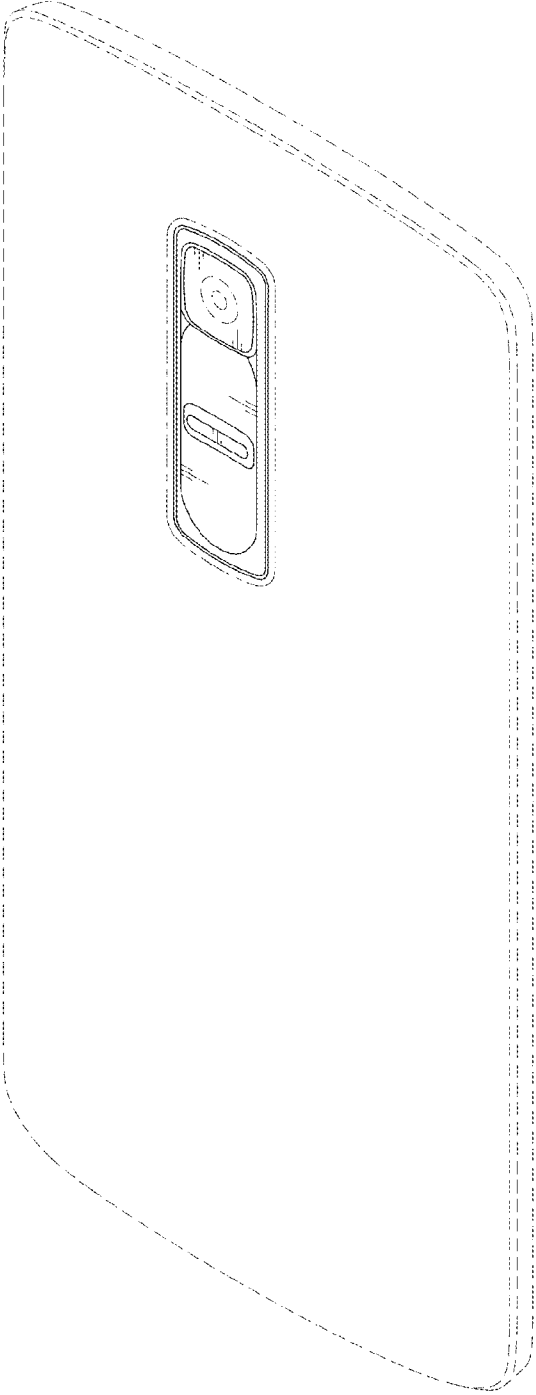


FIG. 2

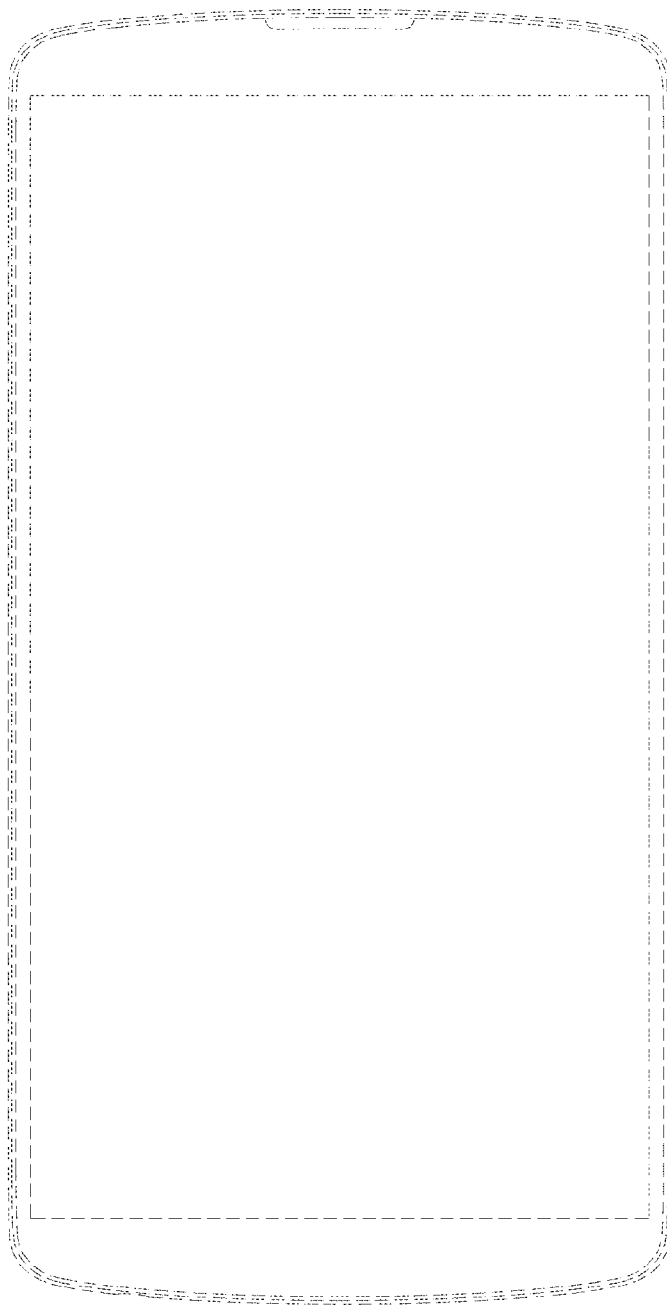


FIG. 3

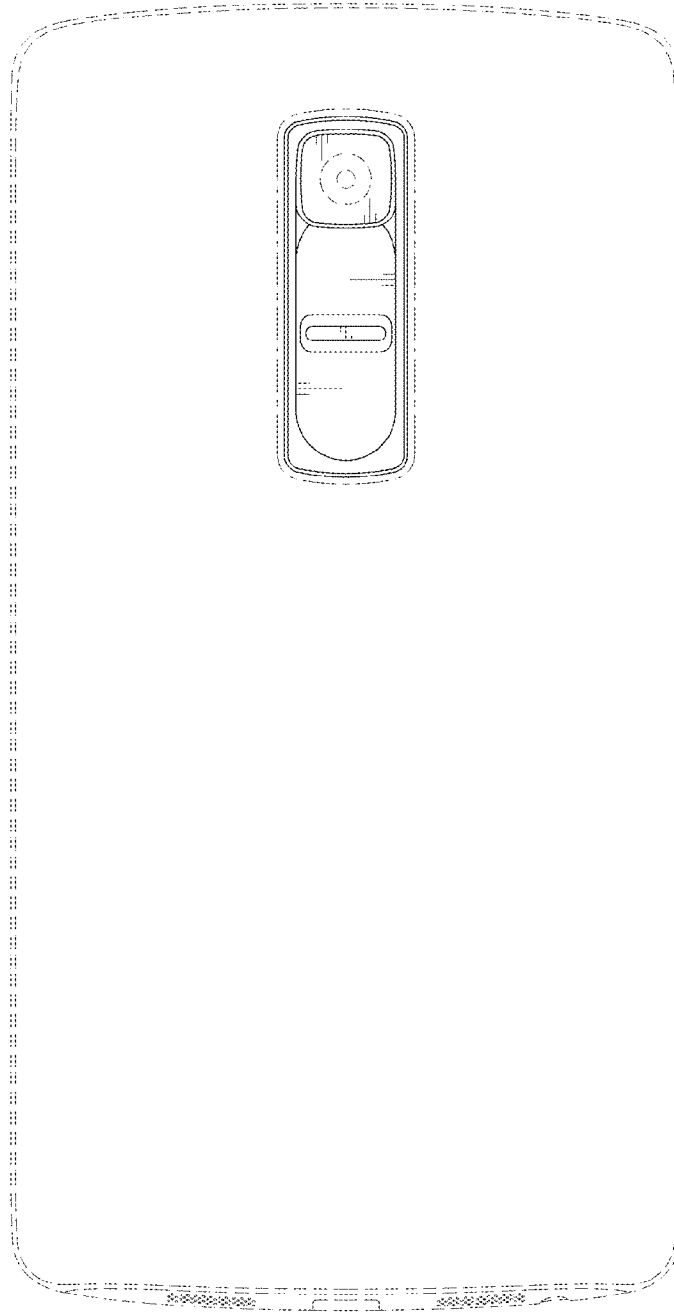


FIG. 4



FIG. 5

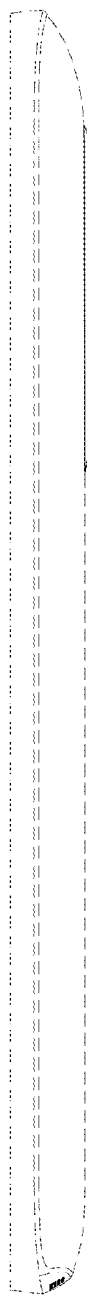


FIG. 6

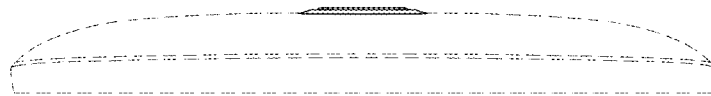


FIG. 7



FIG. 8

