



US00D816037S

(12) **United States Design Patent** (10) **Patent No.:** **US D816,037 S**
Byrne et al. (45) **Date of Patent:** **** Apr. 24, 2018**

(54) **ELECTRICAL POWER UNIT FOR A WORK SURFACE**

Primary Examiner — Rhea Shields
(74) *Attorney, Agent, or Firm* — Gardner, Linn, Burkhardt & Flory, LLP

(71) Applicants: **Norman R. Byrne**, Ada, MI (US);
Thomas A. Petersen, Sand Lake, MI (US)

(72) Inventors: **Norman R. Byrne**, Ada, MI (US);
Thomas A. Petersen, Sand Lake, MI (US)

(57) **CLAIM**

The ornamental design for an electrical power unit for a work surface, as shown and described.

(**) Term: **15 Years**

(21) Appl. No.: **29/569,171**

(22) Filed: **Jun. 24, 2016**

Related U.S. Application Data

(62) Division of application No. 29/516,875, filed on Feb. 6, 2015, now Pat. No. Des. 762,175.

(51) **LOC (11) Cl.** **13-03**

(52) **U.S. Cl.**
USPC **D13/137.2**

(58) **Field of Classification Search**
USPC D13/137.1–137.4, 138.1–138.2,
D13/139.1–139.8, 110, 133, 108, 152;
D14/435; 174/55; 307/23
CPC H01R 13/518; H01R 13/6272
See application file for complete search history.

DESCRIPTION

FIG. 1 is a front perspective view of a first embodiment of the electrical power unit for a work surface showing our new design;
FIG. 2 is a front elevation thereof;
FIG. 3 is a top plan view thereof;
FIG. 4 is a front perspective view of a second embodiment of the electrical power unit for a work surface showing our new design;
FIG. 5 is a front elevation thereof;
FIG. 6 is a top plan view thereof;
FIG. 7 is a front perspective view of a third embodiment of the electrical power unit for a work surface showing our new design;
FIG. 8 is a front elevation thereof;
FIG. 9 is a top plan view thereof;
FIG. 10 is a front perspective view of a fourth embodiment of the electrical power unit for a work surface showing our new design;
FIG. 11 is a front elevation thereof;
FIG. 12 is a top plan view thereof;
FIG. 13 is a front perspective view of a fifth embodiment of the electrical power unit for a work surface showing our new design;
FIG. 14 is a front elevation thereof; and,
FIG. 15 is a top plan view thereof.
In the drawings, the broken lines are for the purpose of illustrating environment only and form no part of the claimed design.

(56) **References Cited**

U.S. PATENT DOCUMENTS

676,622 A 6/1901 Gochnauer
2,811,574 A 10/1957 Guerrero
(Continued)

FOREIGN PATENT DOCUMENTS

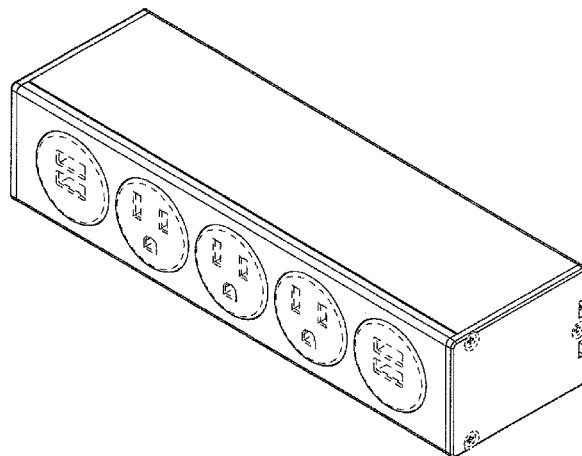
WO 2008108739 9/2008

OTHER PUBLICATIONS

Co-pending and commonly-owned Design U.S. Appl. No. 29/516,863, filed Feb. 6, 2015, including replacement drawings filed by Preliminary Amendment on Oct. 30, 2015.

(Continued)

1 Claim, 8 Drawing Sheets



(56)

References Cited

U.S. PATENT DOCUMENTS

2,861,857	A	11/1958	Lee	D446,188	S	8/2001	Gershfeld	
3,049,688	A	8/1962	Sinopoli	D446,189	S	8/2001	Lee	
D195,463	S	6/1963	Tamarin	D446,503	S	8/2001	Lee	
3,131,512	A	5/1964	MacLeod, Jr.	D446,504	S	8/2001	Lee	
3,353,137	A	11/1967	Miller	6,290,518	B1	9/2001	Byrne	
3,433,886	A	3/1969	Myers	D449,819	S	10/2001	Gershfeld	
3,622,684	A	11/1971	Press	6,302,743	B1	10/2001	Chiu et al.	
3,646,244	A	2/1972	Cole	6,332,794	B1	12/2001	Tzeng Jeng	
3,794,956	A	2/1974	Dubreuil	6,379,182	B1	4/2002	Byrne	
3,892,095	A	7/1975	Vankuik	D457,137	S	5/2002	Gershfeld	
3,972,579	A	8/1976	Kohaut	6,386,921	B1 *	5/2002	Casari	H01R 31/06
3,992,070	A	11/1976	Dunn					439/651
4,059,321	A	11/1977	Rasmussen	D464,627	S	10/2002	Metcalf	
4,240,688	A	12/1980	Sotolongo	D467,875	S	12/2002	Barger et al.	
4,272,643	A	6/1981	Carroll	6,492,591	B1	12/2002	Metcalf	
4,323,723	A	4/1982	Fork et al.	D470,460	S *	2/2003	Yu	D13/139.8
4,372,629	A	2/1983	Propst	D472,213	S	3/2003	Byrne	
4,463,998	A	8/1984	Reavis et al.	D484,098	S	12/2003	Lee	
4,551,198	A	11/1985	Wiley	D486,793	S	2/2004	Gershfeld	
4,551,577	A	11/1985	Byrne	6,717,053	B2	4/2004	Rupert	
D288,298	S	2/1987	Yang	6,830,477	B2	12/2004	Vander Vorste et al.	
4,747,788	A	5/1988	Byrne	6,875,051	B2	4/2005	Pizak	
4,792,881	A	12/1988	Wilson	D505,917	S *	6/2005	Murphy	D13/139.6
4,828,513	A	5/1989	Morrison	6,971,911	B2	12/2005	Ramsey et al.	
D301,576	S	6/1989	Wang	7,001,211	B2	2/2006	Lichtscheidl et al.	
D306,012	S	2/1990	Oesterheld et al.	7,083,421	B1	8/2006	Mori	
4,967,041	A	10/1990	Bowman	D528,508	S	9/2006	Tan et al.	
4,984,982	A	1/1991	Brownlie	7,112,097	B1	9/2006	Lam	
4,986,762	A	1/1991	Keith	D535,257	S	1/2007	Byrne	
5,023,396	A	6/1991	Bartee	7,223,122	B2	5/2007	Mori	
5,114,365	A	5/1992	Thompson	D558,676	S	1/2008	Fort et al.	
5,122,069	A	6/1992	Brownlie	7,500,854	B2	3/2009	Gottstein	
5,195,288	A	5/1993	Penczak	D591,233	S	4/2009	Kagami et al.	
5,230,552	A	6/1993	Schipper	D611,428	S *	3/2010	Chapman	D13/154
5,231,562	A	6/1993	Pierce	7,736,178	B2	6/2010	Byrne	
D350,939	S	9/1994	Rossmann et al.	D626,071	S	10/2010	Su et al.	
5,350,310	A	9/1994	Chen	D636,345	S *	4/2011	Cullen	D13/137.4
5,351,173	A	9/1994	Byrne	D636,728	S	4/2011	Terleski et al.	
D353,363	S	12/1994	Toby	D642,983	S *	8/2011	Finlayson	D13/147
D355,890	S	2/1995	Lentz	D643,807	S *	8/2011	Jiang	D13/103
5,387,761	A	2/1995	Simonis	D649,515	S *	11/2011	Ullrich	D13/139.8
5,429,518	A	7/1995	Chen	D651,974	S	1/2012	Benedetti	
D368,893	S	4/1996	Harwood et al.	D653,215	S	1/2012	Lam	
5,516,298	A	5/1996	Smith	D654,432	S *	2/2012	Brookshire	D13/110
D370,622	S	6/1996	Byrne	8,221,158	B2	7/2012	Liao	
D372,018	S	7/1996	Byrne	D665,355	S	8/2012	Byrne	
5,566,053	A	10/1996	Chou	8,283,802	B2 *	10/2012	Jansma	H01R 13/6272 307/23
D382,855	S	8/1997	Salmond et al.	8,287,292	B2	10/2012	Byrne	
D389,459	S	1/1998	Byrne	D673,909	S *	1/2013	Zaslavsky	D13/110
5,705,772	A	1/1998	Brown	D674,754	S	1/2013	Zanoni et al.	
5,709,156	A	1/1998	Gevaert	D681,551	S *	5/2013	Zaslavsky	D13/110
D392,254	S	3/1998	Gevaert	D682,789	S *	5/2013	Au	D13/137.3
5,738,548	A	4/1998	Rutulante	8,480,429	B2	7/2013	Byrne	
5,748,424	A	5/1998	Hung	8,496,492	B2	7/2013	Byrne	
5,757,668	A	5/1998	Zhu	D692,825	S	11/2013	Izen et al.	
5,765,932	A	6/1998	Domina et al.	D693,770	S *	11/2013	Miller	D13/139.2
D401,220	S *	11/1998	Dwight	D701,834	S *	4/2014	Lee	D13/137.2
D401,555	S *	11/1998	Tam	D702,184	S *	4/2014	Jacobs	D13/110
D405,416	S	2/1999	Byrne	D714,290	S *	9/2014	Tanaka	D14/422
D407,374	S	3/1999	Byrne	D736,159	S	8/2015	Byrne et al.	
D412,698	S	8/1999	Byrne	9,148,006	B2	9/2015	Byrne et al.	
D413,571	S	9/1999	Glass	D744,953	S *	12/2015	Byrne	D13/139.4
5,964,618	A	10/1999	McCarthy	D758,967	S *	6/2016	Chen	D13/110
5,984,728	A	11/1999	Chen et al.	D761,732	S *	7/2016	Byrne	D13/137.2
6,004,157	A	12/1999	Glass	D762,175	S *	7/2016	Byrne	D13/137.2
6,028,267	A	2/2000	Byrne	D780,122	S *	2/2017	Irons	H05K 7/1492 D13/139.8
6,081,356	A	6/2000	Branc et al.					
D427,454	S *	7/2000	Munch	D788,709	S *	6/2017	Yeo	D13/137.2
D436,922	S	1/2001	Stekelenburg	D790,465	S *	6/2017	Zhao	D13/110
6,220,880	B1	4/2001	Lee et al.	D795,190	S *	8/2017	Tzeng	D13/110
6,200,159	B1	5/2001	Chou	D796,437	S *	9/2017	Banayan	D13/110
D444,126	S	6/2001	Chura et al.	2006/0258195	A1	11/2006	Schwartz et al.	
D445,403	S *	7/2001	Veino	2007/0275594	A1	11/2007	Greenberg	

(56)

References Cited

U.S. PATENT DOCUMENTS

2009/0294147 A1 12/2009 Stockton
2014/0292289 A1 10/2014 Gelonese

OTHER PUBLICATIONS

Co-pending and commonly-owned Design U.S. Appl. No. 29/516,875, filed Feb. 6, 2015, including replacement drawings filed on Apr. 19, 2016.

* cited by examiner

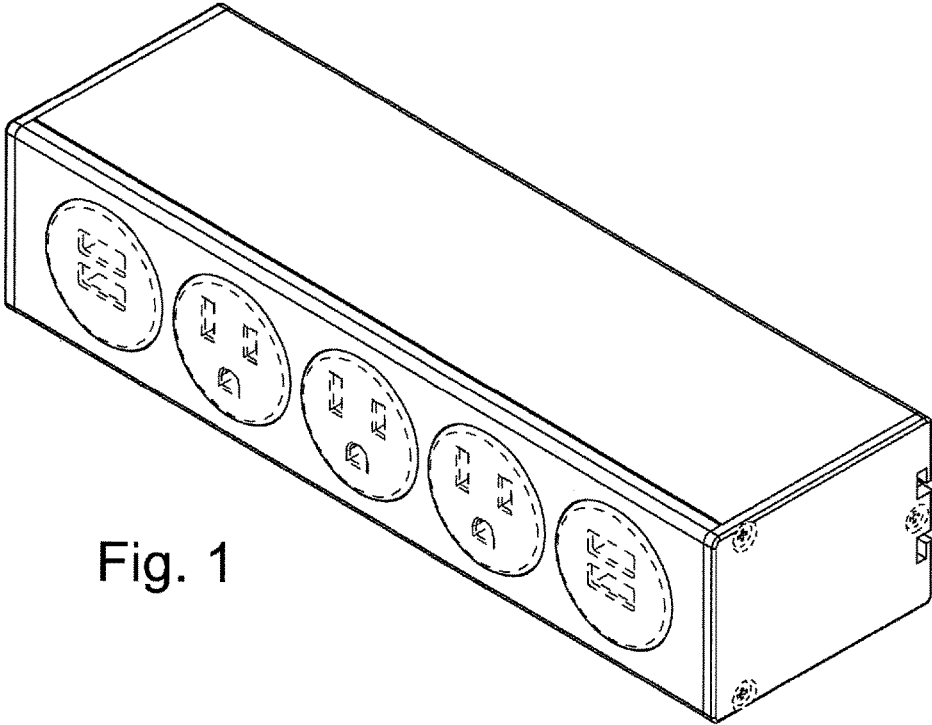


Fig. 1

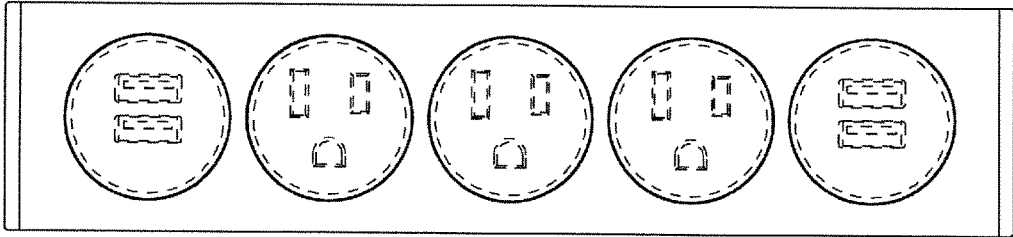


Fig. 2

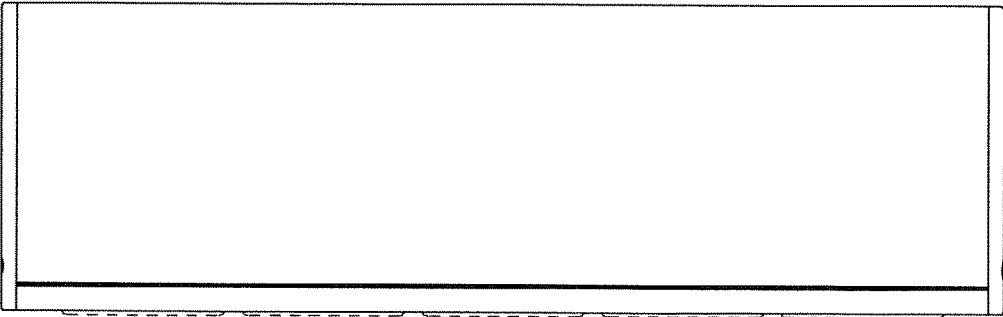


Fig. 3

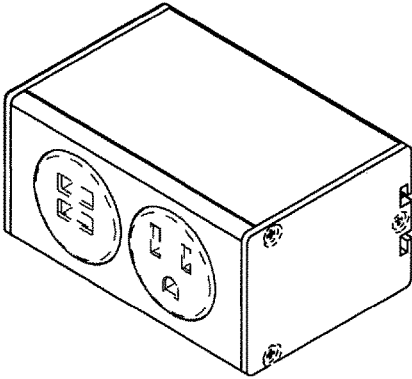


Fig. 4

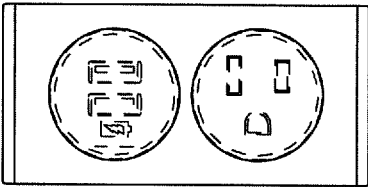


Fig. 5

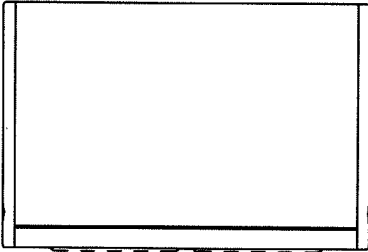


Fig. 6

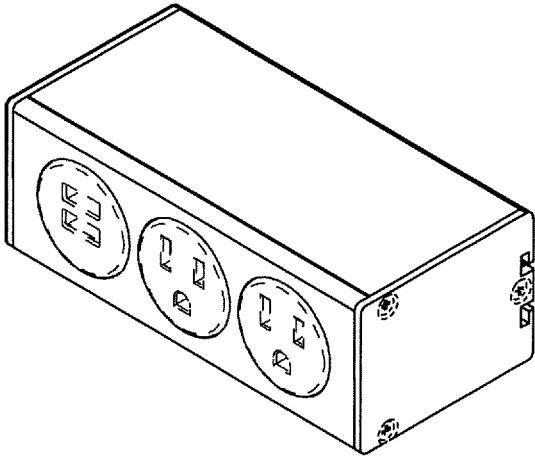


Fig. 7

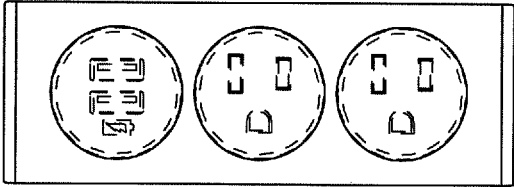


Fig. 8

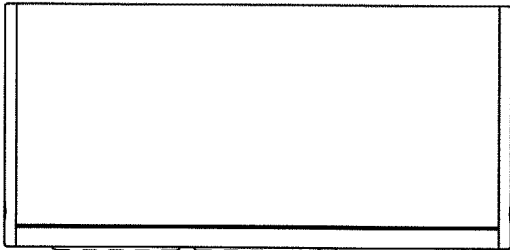


Fig. 9

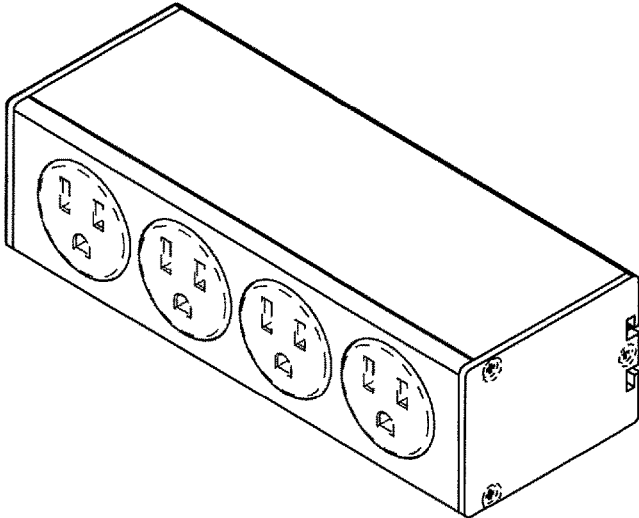


Fig. 10

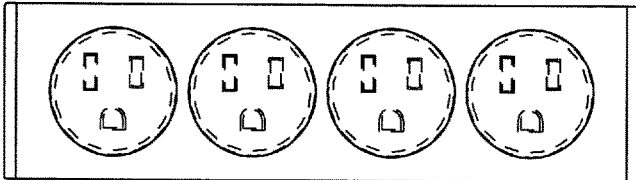


Fig. 11

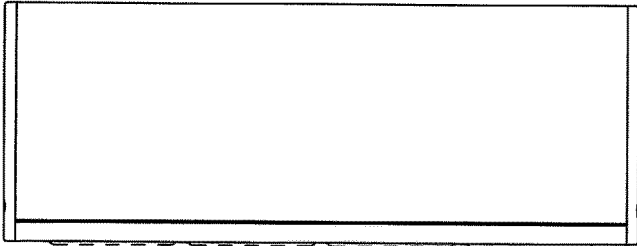


Fig. 12

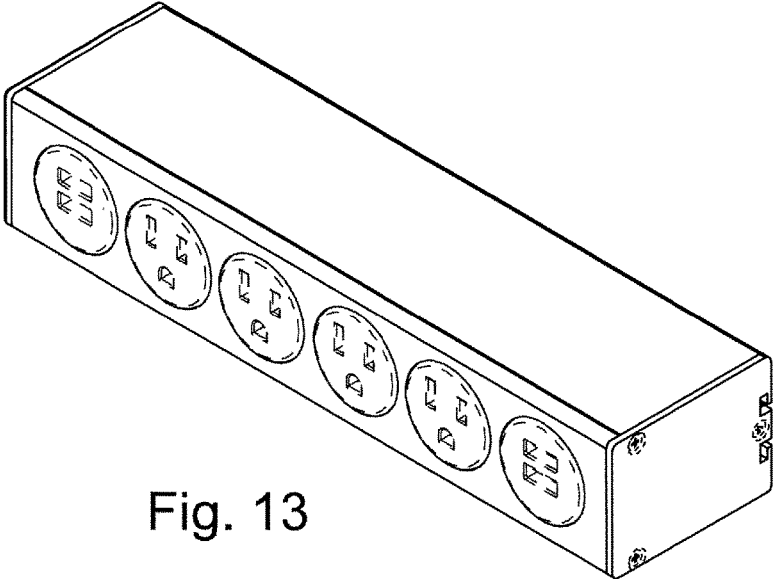


Fig. 13

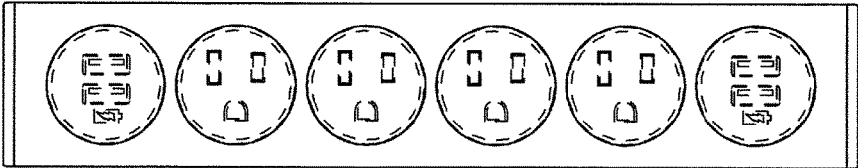


Fig. 14

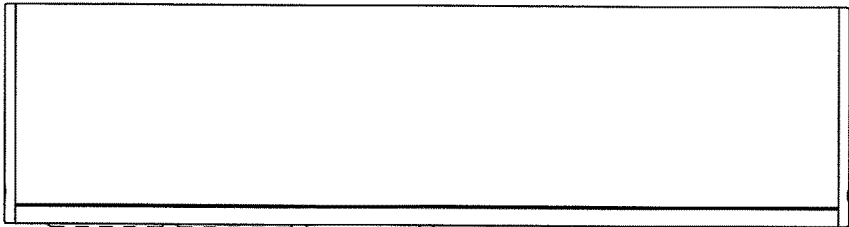


Fig. 15