

(19) World Intellectual Property Organization  
International Bureau



(43) International Publication Date  
16 December 2004 (16.12.2004)

PCT

(10) International Publication Number  
WO 2004/109500 A3

(51) International Patent Classification<sup>7</sup>: G06F 13/16

(21) International Application Number:  
PCT/US2004/015986

(22) International Filing Date: 20 May 2004 (20.05.2004)

(25) Filing Language: English

(26) Publication Language: English

(30) Priority Data:  
10/449,216 30 May 2003 (30.05.2003) US

(71) Applicant: INTEL CORPORATION (a corporation of Delaware) [US/US]; 2200 Mission College Boulevard, Santa Clara, CA 95052 (US).

(72) Inventors: FRAME, David; 3906 East Amberwood Drive, Phoenix, AZ 85048 (US). MAURITZ, Karl; 444 North Gila Springs Boulevard, #1088, Chandler, AZ 85226 (US).

(74) Agents: MALLIE, Michael, J. et al.; Blakely, Sokoloff, Taylor & Zafman, 12400 Wilshire Boulevard, 7th Floor, Los Angeles, CA 90025 (US).

(81) Designated States (unless otherwise indicated, for every kind of national protection available): AE, AG, AL, AM, AT, AU, AZ, BA, BB, BG, BR, BW, BY, BZ, CA, CH, CN, CO, CR, CU, CZ, DE, DK, DM, DZ, EC, EE, EG, ES, FI, GB, GD, GE, GH, GM, HR, HU, ID, IL, IN, IS, JP, KE, KG, KP, KR, KZ, LC, LK, LR, LS, LT, LU, LV, MA, MD, MG, MK, MN, MW, MX, MZ, NA, NI, NO, NZ, OM, PG, PH, PL, PT, RO, RU, SC, SD, SE, SG, SK, SL, SY, TJ, TM, TN, TR, TT, TZ, UA, UG, US, UZ, VC, VN, YU, ZA, ZM, ZW.

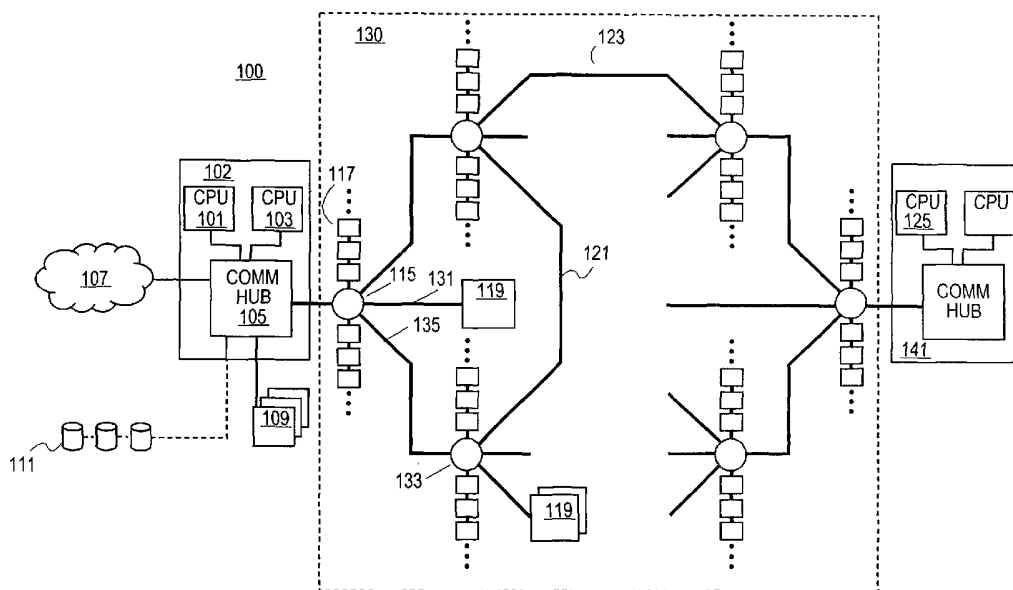
(84) Designated States (unless otherwise indicated, for every kind of regional protection available): ARIPO (BW, GH, GM, KE, LS, MW, MZ, NA, SD, SL, SZ, TZ, UG, ZM, ZW), Eurasian (AM, AZ, BY, KG, KZ, MD, RU, TJ, TM), European (AT, BE, BG, CH, CY, CZ, DE, DK, EE, ES, FI, FR, GB, GR, HU, IE, IT, LU, MC, NL, PL, PT, RO, SE, SI, SK, TR), OAPI (BF, BJ, CF, CG, CI, CM, GA, GN, GQ, GW, ML, MR, NE, SN, TD, TG).

Published:  
— with international search report

(88) Date of publication of the international search report:  
14 July 2005

[Continued on next page]

(54) Title: TREE BASED MEMORY STRUCTURE



(57) Abstract: A memory architecture with a tree based topology. Memory devices are paired with intelligent memory hubs that service memory access requests and manage data in the network of memory devices. Memory hubs can reconfigure the network topology dynamically to compensate for failed devices or the addition or removal of devices. The memory architecture can also support input output devices and be shared between multiple systems.

WO 2004/109500 A3



---

*For two-letter codes and other abbreviations, refer to the "Guidance Notes on Codes and Abbreviations" appearing at the beginning of each regular issue of the PCT Gazette.*

INTERNATIONAL SEARCH REPORT

International Application No  
PCT/US2004/015986

A. CLASSIFICATION OF SUBJECT MATTER

IPC 7 G06F13/16

According to International Patent Classification (IPC) or to both national classification and IPC

B. FIELDS SEARCHED

Minimum documentation searched (classification system followed by classification symbols)

IPC 7 G06F

Documentation searched other than minimum documentation to the extent that such documents are included in the fields searched

Electronic data base consulted during the international search (name of data base and, where practical, search terms used)

EPO-Internal

C. DOCUMENTS CONSIDERED TO BE RELEVANT

Category °	Citation of document, with indication, where appropriate, of the relevant passages	Relevant to claim No.
X	US 2002/038405 A1 (LEDDIGE MICHAEL W ET AL) 28 March 2002 (2002-03-28) the whole document	1-12, 18-27
Y	-----	13-17
Y	COMPAQ, INTEL, MICROSOFT, NEC: "Universal Serial Bus Specification Rev 1.1" 'Online!' 23 September 1998 (1998-09-23), XP002323026 Retrieved from the Internet: URL: <a href="http://www.usb.org/developers/docs/usb/spec.zip">http://www.usb.org/developers/docs/usb/spec.zip</a> 'retrieved on 2005-04-01! the whole document	13-17
P, X	US 2003/229770 A1 (JEDDELOH JOSEPH M) 11 December 2003 (2003-12-11) the whole document ----- -/--	1, 5

Further documents are listed in the continuation of box C.

Patent family members are listed in annex.

° Special categories of cited documents :

- \*A\* document defining the general state of the art which is not considered to be of particular relevance
- \*E\* earlier document but published on or after the international filing date
- \*L\* document which may throw doubts on priority claim(s) or which is cited to establish the publication date of another citation or other special reason (as specified)
- \*O\* document referring to an oral disclosure, use, exhibition or other means
- \*P\* document published prior to the international filing date but later than the priority date claimed

- \*T\* later document published after the international filing date or priority date and not in conflict with the application but cited to understand the principle or theory underlying the invention
- \*X\* document of particular relevance; the claimed invention cannot be considered novel or cannot be considered to involve an inventive step when the document is taken alone
- \*Y\* document of particular relevance; the claimed invention cannot be considered to involve an inventive step when the document is combined with one or more other such documents, such combination being obvious to a person skilled in the art.
- \* & \* document member of the same patent family

Date of the actual completion of the international search

1 April 2005

Date of mailing of the international search report

29/04/2005

Name and mailing address of the ISA

European Patent Office, P.B. 5818 Patentlaan 2  
NL - 2280 HV Rijswijk  
Tel. (+31-70) 340-2040, Tx. 31 651 epo nl,  
Fax: (+31-70) 340-3016

Authorized officer

Ryan, M

INTERNATIONAL SEARCH REPORT

International Application No  
PCT/US2004/015986

C.(Continuation) DOCUMENTS CONSIDERED TO BE RELEVANT

Category *	Citation of document, with indication, where appropriate, of the relevant passages	Relevant to claim No.
A	<p>ADVANCED MICRO DEVICES, INC.:                      "HyperTransport? Technology I/O                      Link" Online! 20 July 2001 (2001-07-20),                      XP002323045                      Retrieved from the Internet:                      URL: <a href="http://www.amd.com/us-en/assets/content_type/white_papers_and_tech_docs/HyperTransport_IO_Link_Whitepaper_25012A.pdf">http://www.amd.com/us-en/assets/content_type/white_papers_and_tech_docs/HyperTransport_IO_Link_Whitepaper_25012A.pdf</a>                      'retrieved on 2005-04-01!                      the whole document</p> <p style="text-align: center;">-----</p>	1-27

# INTERNATIONAL SEARCH REPORT

Information on patent family members

International Application No PCT/US2004/015986
---

Patent document cited in search report	Publication date	Patent family member(s)	Publication date
US 2002038405 A1	28-03-2002	US 6477614 B1	05-11-2002
US 2003229770 A1	11-12-2003	AU 2003238961 A1	22-12-2003
		EP 1512077 A1	09-03-2005
		WO 03104996 A1	18-12-2003