

(19) World Intellectual Property Organization
International Bureau



(43) International Publication Date
12 September 2002 (12.09.2002)

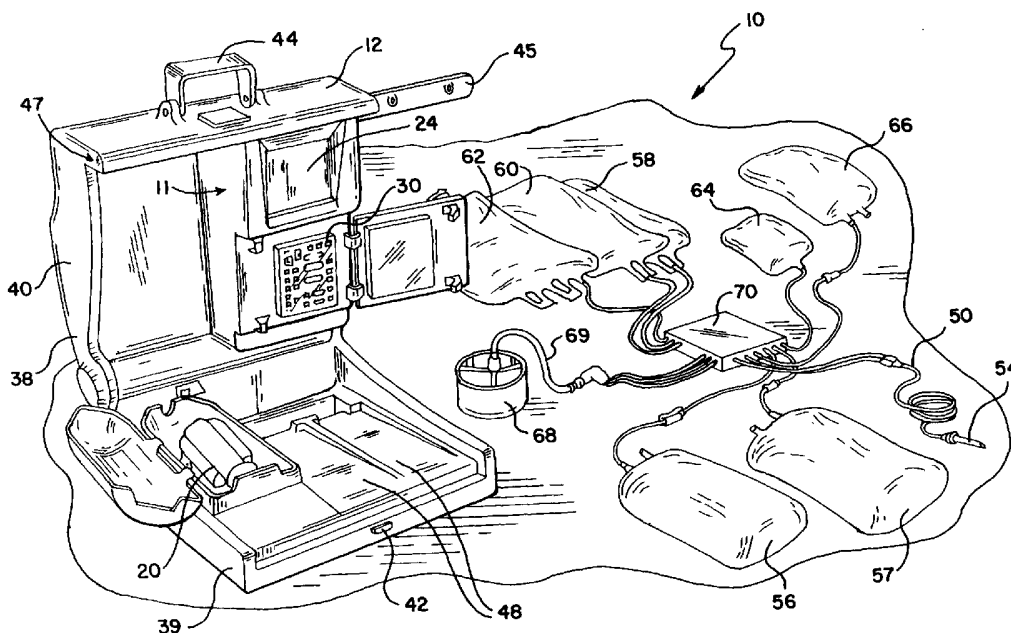
PCT

(10) International Publication Number
WO 02/070034 A3

- (51) International Patent Classification⁷: A61M 37/00, C02F 1/00
 - (21) International Application Number: PCT/US02/05242
 - (22) International Filing Date: 13 February 2002 (13.02.2002)
 - (25) Filing Language: English
 - (26) Publication Language: English
 - (30) Priority Data: 09/800,024 6 March 2001 (06.03.2001) US
 - (71) Applicant: BAXTER INTERNATIONAL INC. [US/US]; One Baxter Parkway, Deerfield, IL 60015 (US).
 - (72) Inventors: FARRELL, Liam; 541 Parkwood Avenue, Park Ridge, IL 60068 (US). THOM, Sandra; 623 Wrightwood Terrace, Libertyville, IL 60048 (US). VISHNOI, Rohit; 235 Willow Avenue, Deerfield, IL 60015 (US). BROWN, Richard, I.; 2335 Peachtree Lane, Northbrook, IL 60062 (US).
 - (74) Agents: PRICE, Bradford, R.L. et al.; Baxter Healthcare Corporation, Route 120 & Wilson Road, Round Lake, IL 60073 (US).
 - (81) Designated States (national): AU, BR, CA, CN, IN, JP.
 - (84) Designated States (regional): European patent (AT, BE, CH, CY, DE, DK, ES, FI, FR, GB, GR, IE, IT, LU, MC, NL, PT, SE, TR).
- Published:**
- with international search report
 - before the expiration of the time limit for amending the claims and to be republished in the event of receipt of amendments
- (88) Date of publication of the international search report: 16 January 2003

For two-letter codes and other abbreviations, refer to the "Guidance Notes on Codes and Abbreviations" appearing at the beginning of each regular issue of the PCT Gazette.

(54) Title: AUTOMATED SYSTEM AND METHOD FOR PRE-SURGICAL BLOOD DONATION AND FLUID REPLACEMENT



(57) Abstract: Automated systems and methods for withdrawing and replacing fluids in a patient are disclosed. The system withdraws blood from a donor or patient, separates the blood into two or more components and collects the separated component. A replacement fluid capable of at least partially providing the biological function of the separated component is infused into the patient.

WO 02/070034 A3

INTERNATIONAL SEARCH REPORT

International application No.
PCT/US02/05242

A. CLASSIFICATION OF SUBJECT MATTER
 IPC(7) : A61M 37/00; C02F 1/00
 US CL : 604/6.01; 210/739
 According to International Patent Classification (IPC) or to both national classification and IPC

B. FIELDS SEARCHED
 Minimum documentation searched (classification system followed by classification symbols)
 U.S. : 604/4.01,5.01,6.01-6.06,6.09-6.12; 210/739-746

Documentation searched other than minimum documentation to the extent that such documents are included in the fields searched
 EAST keyword: red, blood, replace, separate

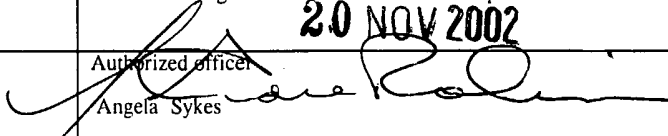
Electronic data base consulted during the international search (name of data base and, where practicable, search terms used)

C. DOCUMENTS CONSIDERED TO BE RELEVANT

Category *	Citation of document, with indication, where appropriate, of the relevant passages	Relevant to claim No.
X	US 4,481,827 A (BILSTAD et al) 13 Nov 1984 (13.11.1984), entire document	1-10, 12-14, 18
Y	US 6,071,423 A (BROWN et al) 06 June 2000 (06.06.2000), entire document	1-10, 12-14, 18
Y	US 6,284,452 B1 (SEGALL et al) 04 Sep 2001 (04.09.2001), columns 1-3	11,15-17,19-20
Y	US 5,464,634 A (KOSSOVSKY et al) 07 Nov 1995 (07.11.1995), columns 1-2	11,15-17,19-20
Y	US 5,437,624 A (LANGLEY et al) 01 Aug 1995 (01.08.1995), entire document	1-10,12-14,18

Further documents are listed in the continuation of Box C. See patent family annex.

* Special categories of cited documents:	"T"	later document published after the international filing date or priority date and not in conflict with the application but cited to understand the principle or theory underlying the invention
"A" document defining the general state of the art which is not considered to be of particular relevance	"X"	document of particular relevance; the claimed invention cannot be considered novel or cannot be considered to involve an inventive step when the document is taken alone
"E" earlier application or patent published on or after the international filing date	"Y"	document of particular relevance; the claimed invention cannot be considered to involve an inventive step when the document is combined with one or more other such documents, such combination being obvious to a person skilled in the art
"L" document which may throw doubts on priority claim(s) or which is cited to establish the publication date of another citation or other special reason (as specified)	"&"	document member of the same patent family
"O" document referring to an oral disclosure, use, exhibition or other means		
"P" document published prior to the international filing date but later than the priority date claimed		

Date of the actual completion of the international search 19 May 2002 (19.05.2002)	Date of mailing of the international search report 20 NOV 2002
Name and mailing address of the ISA/US Commissioner of Patents and Trademarks Box PCT Washington, D.C. 20231 Facsimile No. (703)305-3230	Authorized officer  Angela Sykes Telephone No. 703-308-0873